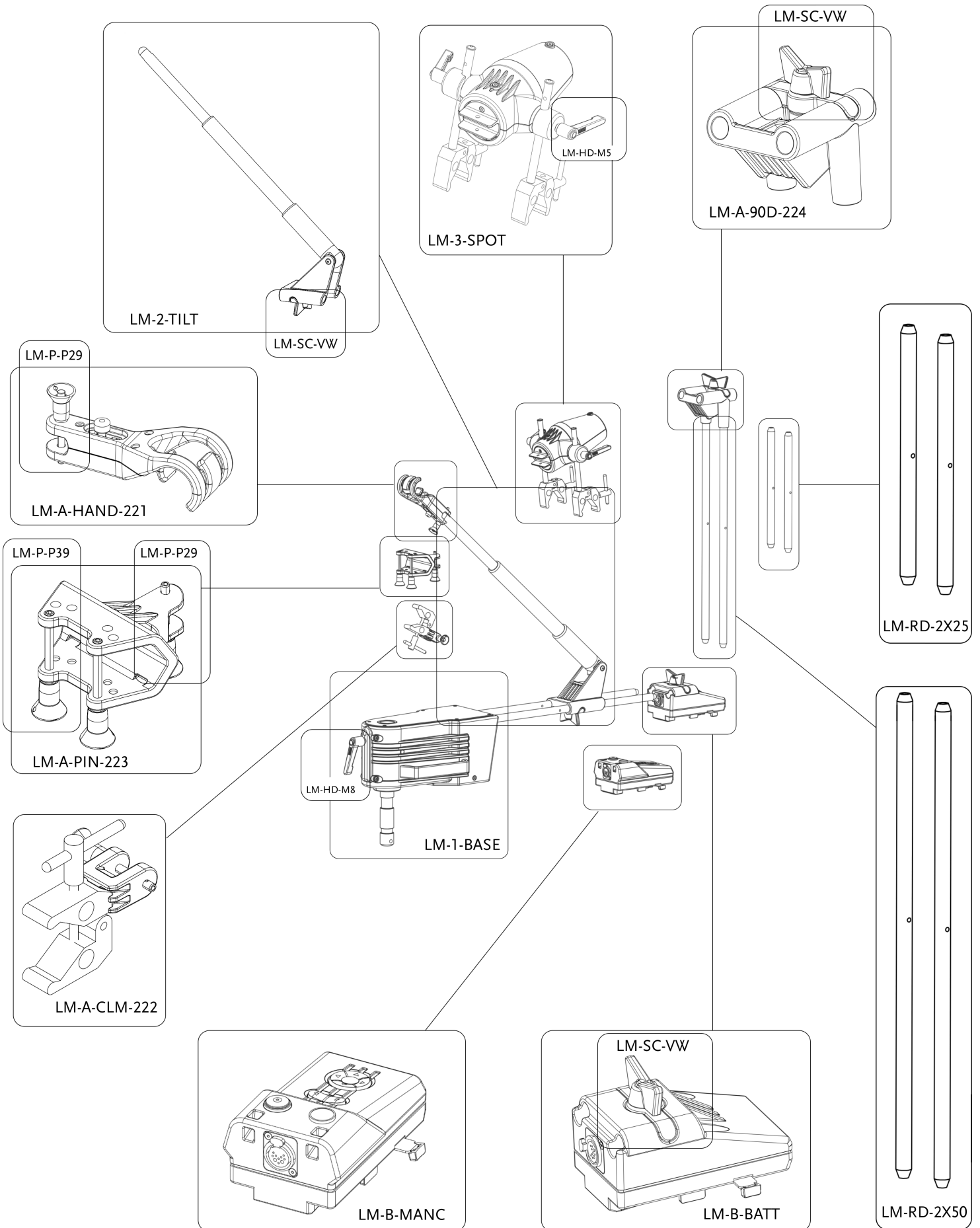
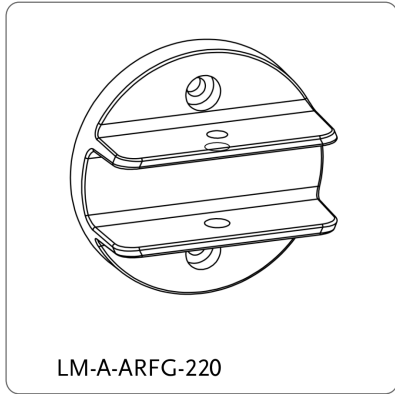


Litemover Spareparts.

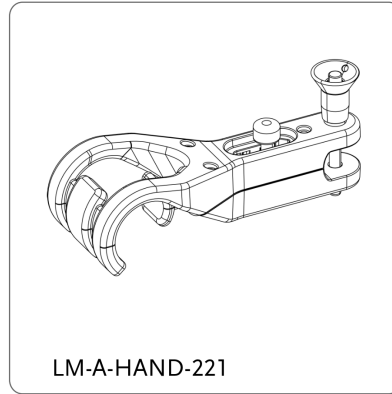


Standard Adapters (included in the set).



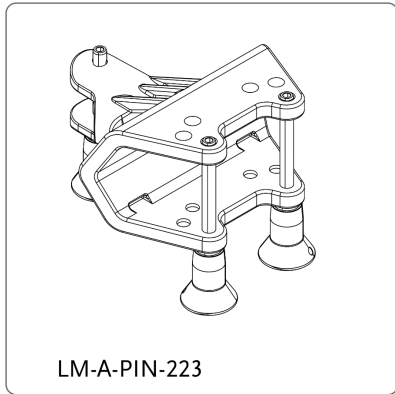
LM-A-ARFG-220

Focus knob for
ARRI and Filmgear
HMI's



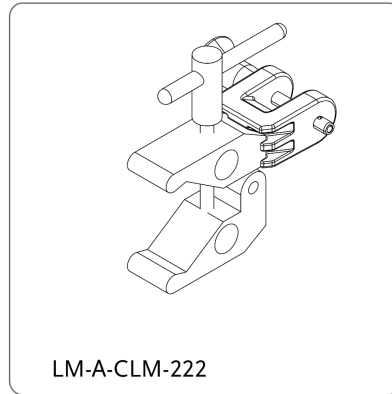
LM-A-HAND-221

Hand adapter, connects
to skidplate with rods of
18,22 and 30 mm.
Incl. 1x LM-P-P29



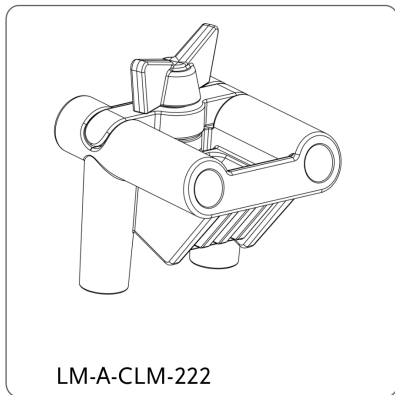
LM-A-PIN-223

Pin adapter, connects
to rods of 18,22 and 30 mm.
incl. 2x LM-P-P39 and
1x LM-P-P29



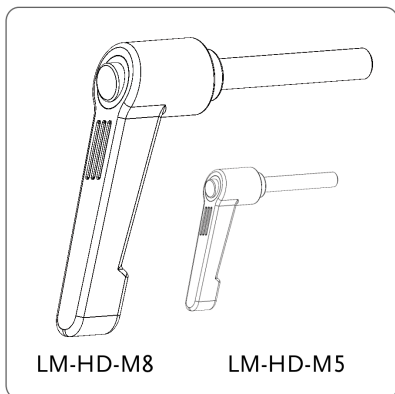
LM-A-CLM-222

Clamp adapter, connects
to anything you like to
clamp on.
Incl. 1x LM-P-P29



LM-A-CLM-222

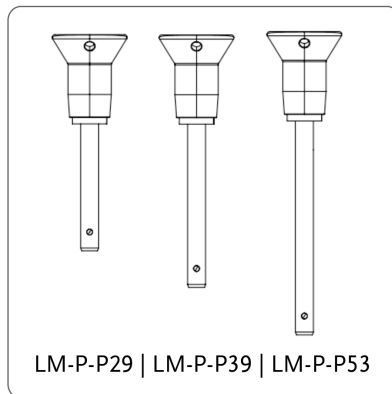
90° connector. When using
Litemoover undersling use this
connector to connect rods at
an angle of 90 degrees
Incl. 1x LM-SC-VW.



LM-HD-M8

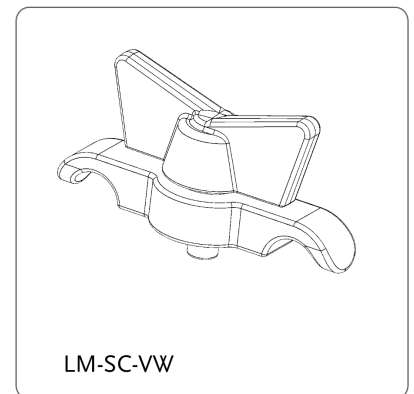
LM-HD-M5

Clamping handle M8 set of 3 (LM-HD-M8)
Clamping handle M5 set of 3 (LM-HD-M5)



LM-P-P29 | LM-P-P39 | LM-P-P53

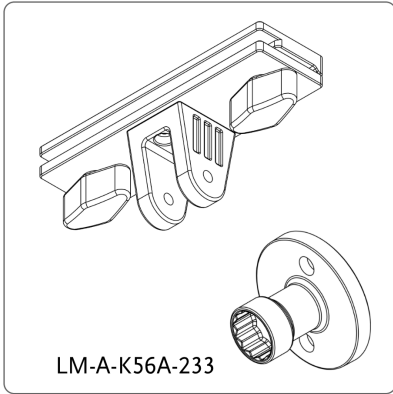
Pin 29 mm. in a set of 3 LM-P-P29
Pin 39 mm. in a set of 2 LM-P-P39
Pin 53 mm. in a set of 2 LM-P-P53



LM-SC-VW

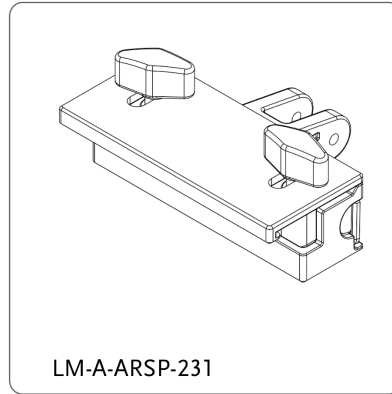
V-wing Bolt (M8) plus rods
slider, set of 3

Optional Adapters.



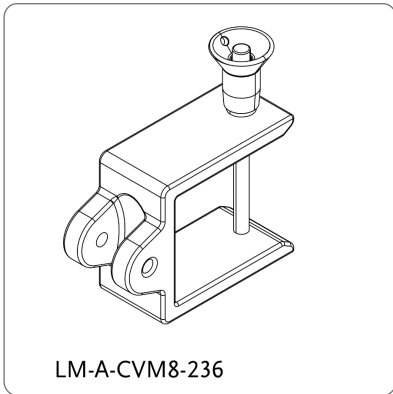
LM-A-K56A-233

K5600 Alpha connector.
Connects to all K5600 Alpha.
Front side adapter PLUS
Focus adapter.
(Incl. 1x LM-P-P29)



LM-A-ARSP-231

Skypanel adapter.
Connects to ARRI Skypanel
S30 - S360, Use normal on a
stand or undersling.
(Incl. 1x LM-P-P29)



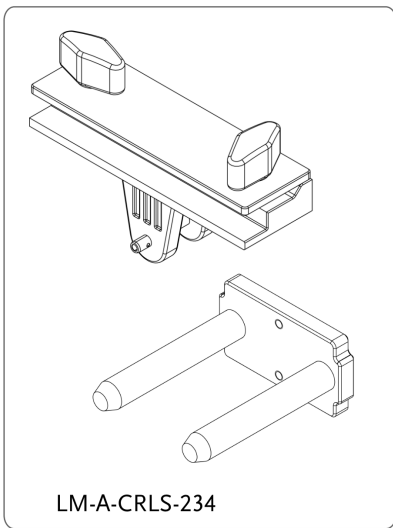
LM-A-CVM8-236

Vortex8 Multi-rig adapter.
Connects to LCA Vortex8
Multirig 3 & 4, both 40 mm.
square tube.
(Incl. 1x LM-P-P29 and
1x LM-P-P53)



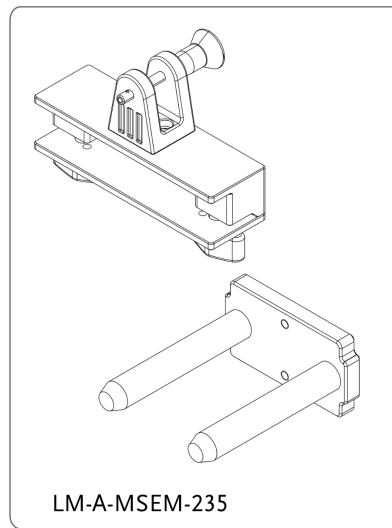
LM-A-FGPB-232

FilmGear Powerbeam adapter.
Connects to FG Powerbeam
T5, T12 and 4K, 9K HMI.
(T24, 18K use LM--ARFG-220)



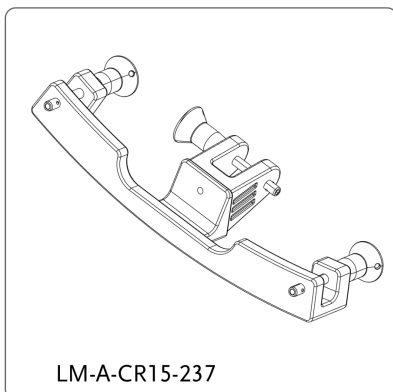
LM-A-CRLS-234

CRLS C-100 connector.
Connects to CRLS C-100.
For mounting actuator to
the Yoke use the yoke
adapter, in combination
with a Mafer- or Superclamp.
Clamp not included
(Incl. 1x LM-P-P29)



LM-A-MSEM-235

MSE Mirror connector.
Connects to Matthews Studio
Equipment Mirror 40"x40".
For mounting actuator to
the Yoke use the yoke
adapter, in combination
with a Mafer- or Superclamp.
Clamp not included
(Incl. 1x LM-P-P29)



LM-A-CR15-237

Cineo R15 adapter.
Connects to Cineo R15,
without Skid Plate.
(Incl. 3x LM-P-P29) For
skidplate use LM-A-HND-221

*We are currently working on the
following Adapters:*

- Fillex Q10
- Sumolight SUMOMAX
- Cine Mills 18kW Fresnel
- Cineo Quantum II
- Cineo LB800
- Molebeam 4kW
- Molebeam T5

*Please send us your request for
new fixtures!*