

Kelvin Epos 300

Photometrics & light quality



Kelvin Epos 300

This is the hero of your professional lighting setup with endless possibilities to light your story. Made to withstand life on set and deliver mind-blowing light accuracy and control.

- ▶ 300W Full Spectrum LED COB Studio Light
- ▶ 2000 - 20.000
- ▶ Light Engine: Cantastoria (RGBACL) Six-Color
- ▶ Modes: CCT, HSI, RGB, Gels, Effects, XY
- ▶ Dimming: 0 - 100% (continuous)

- ▶ Display: 5" TFT LCD
- ▶ Housing material: Aluminum
- ▶ Number of LED: 80
- ▶ Control: Bluetooth, Kelvin Narrator App, DMX, Lumen Radio / Wireless DMX (built in)
- ▶ Bluetooth: Operating range < 80m
- ▶ Lumen Radio: Operating Range < 100m
- ▶ AC Input Power: 110 to 240 VAC, 50/60 Hz
- ▶ DC Input Power: 12 to 30 VDC
- ▶ Max Power Consumption: 300W (nominal), 320W (rated)

CRI	TLCI	CQS	SSI @3200K	SSI @5600K
98	99	97	86	74

Kelvin Epos 300

Photometrics

Performance assessment

Certifications:

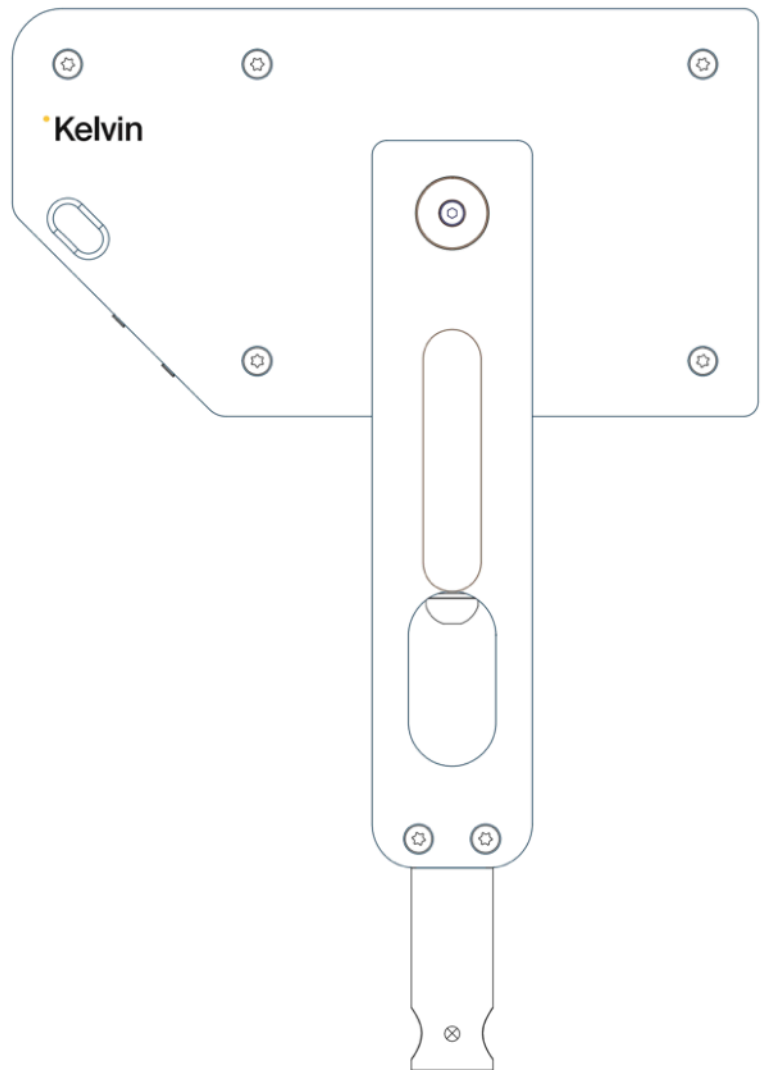
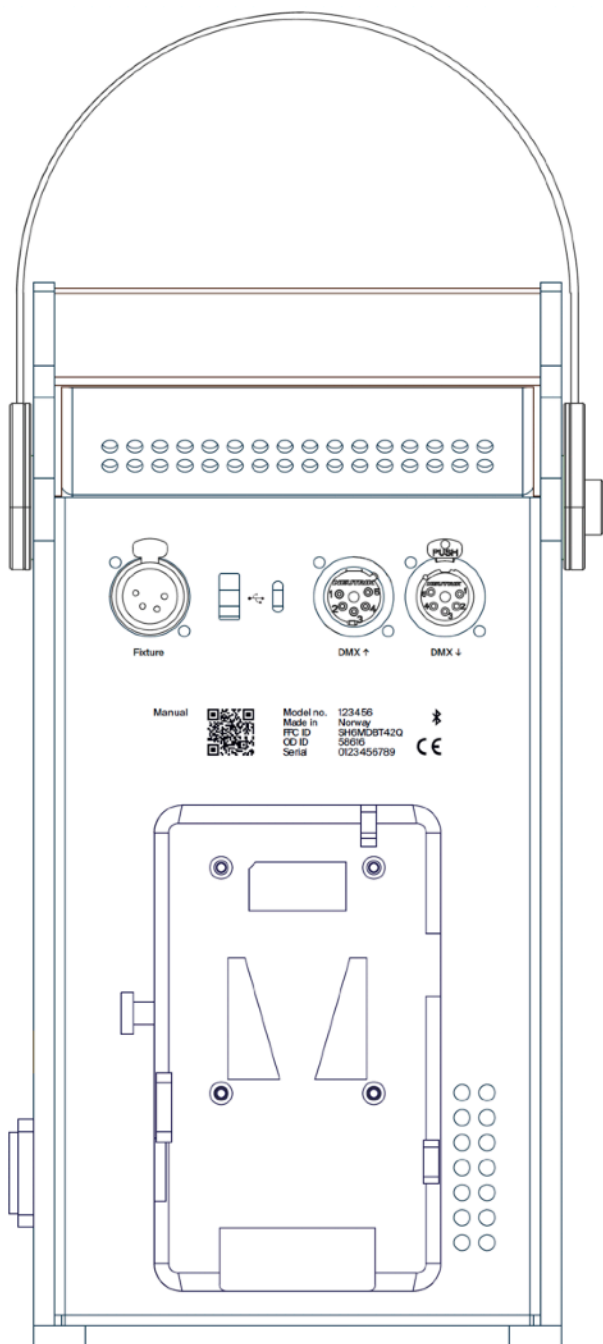
FCC, CE, UKCA, IC,
ROHS KC, NCC, PSE,
BIS

Illuminance (lux and fc)

Light Modifier	CCT	1m/ 3.2ft	1m/ 3.2ft	3m/ 9.8ft	3m/ 9.8ft	5m/ 16.4ft	5m/ 16.4ft	7m/ 22.9ft	7m/ 22.9ft
No accessories (Bare Light)	3200K	7 972	741	886	82	319	30	163	15
	5600K	9 031	839	1 003	93	361	34	184	17
D90 Diffuser (Included with Light)	3200K	7 279	676	809	75	291	27	149	14
	5600K	8 245	766	916	85	330	31	168	16
Kelvin Precision Reflector 55°	3200K	23 730	2 205	2 637	245	949	88	484	45
	5600K	26 985	2 507	2 998	279	1 079	100	551	51
Kelvin Epos 62° Reflector	3200K	33 900	3 149	3 767	350	1 356	126	692	64
	5600K	38 550	3 581	4 283	398	1 542	143	787	73

Kelvin Epos 300

Technical drawings



What's in the box?

- ▶ Kelvin Epos 300 lamp head
- ▶ Kelvin Epos 300 controller with battery plates
- ▶ Quick release lighting super clamp
- ▶ Kelvin Reflector (55°)
- ▶ Kelvin Epos 300 4-pin head cable (5 meters / 16.4 ft)
- ▶ Neutrik Power CONTRUE TOP AC power cable (5 meters / 16.4 ft)
- ▶ Kelvin Epos 300 semi soft rolling case (if selected included)

Kelvin Epos 300

Warranty & customer support

3 Years Keep Rolling Warranty™

Our philosophy of creating a light for cinema doesn't stop at the product itself. Life on set doesn't always go as planned. And we are prepared. The Keep Rolling Warranty is Kelvin's way of giving back to the cinema community. By purchasing an Epos 300, you will have peace of mind. Your projects are our highest priority, so if anything goes wrong – we make sure you have a light to keep rolling.

Lifetime customer support

Our Epos 300 is designed to be used intuitively. Once everything's plugged in, the unit should be working with the press of a button. Whether you choose to operate via the touch screen on the controller, the three buttons or the Kelvin Narrator App, it's up to you. Having trouble and it's still within your lifetime? Consider yourself lucky: Our Lifetime Customer Support will gladly help you out and keep rolling. (But be patient, our team may be very, very old by then...)

Contact Us

hello@kelvinlight.com

+1 929 531 69 22

www.kelvinlight.com