

## Ex-sus Pole

The Ex-sus Pole (Extension Suspension Pole) is a telescoping pole used to mount lights, cameras, and other equipment from a grid, pipe, or mounting point on the ceiling. The telescoping design allows the height of your equipment to be adjusted quickly and easily while also freeing-up valuable floorspace.

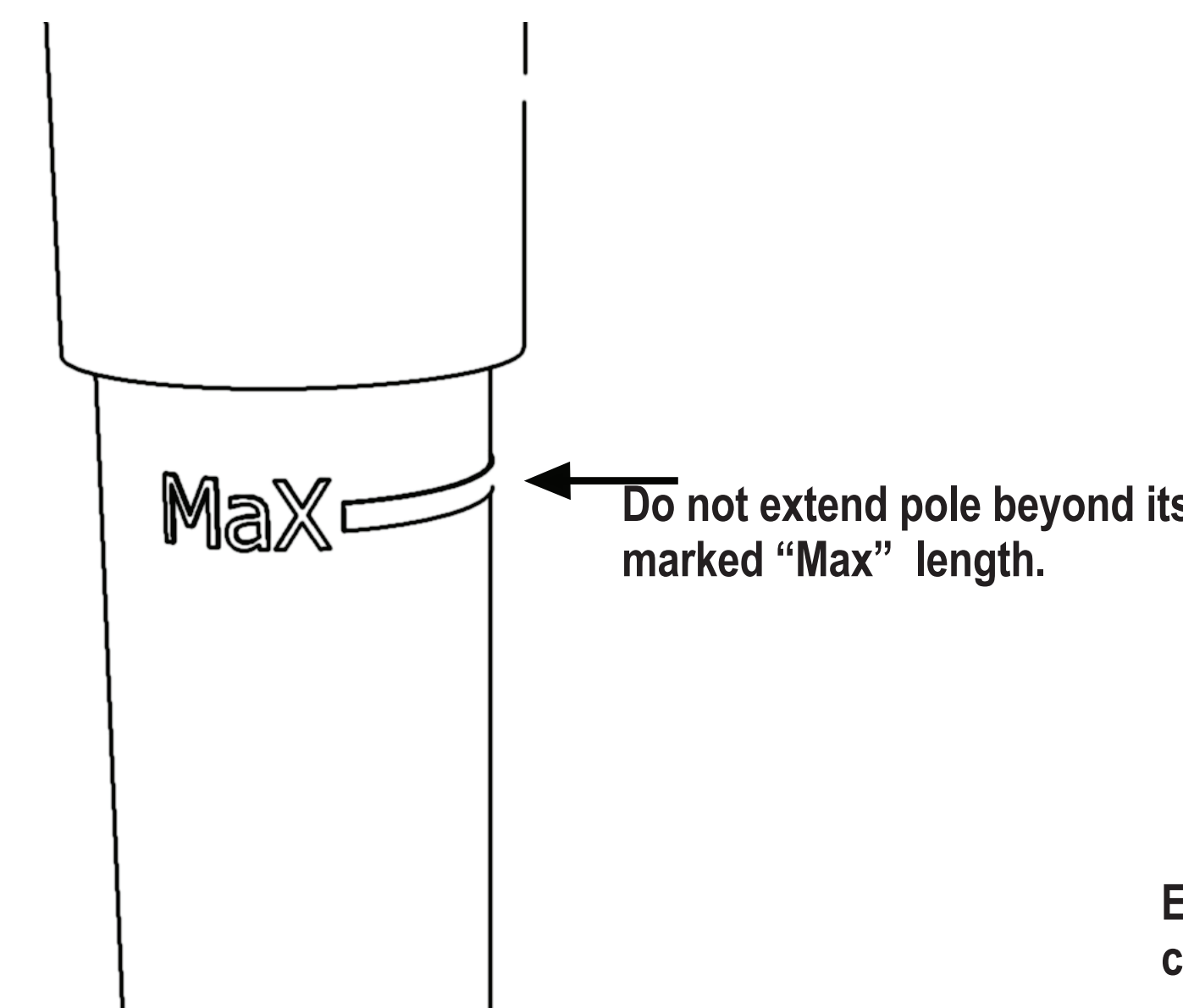
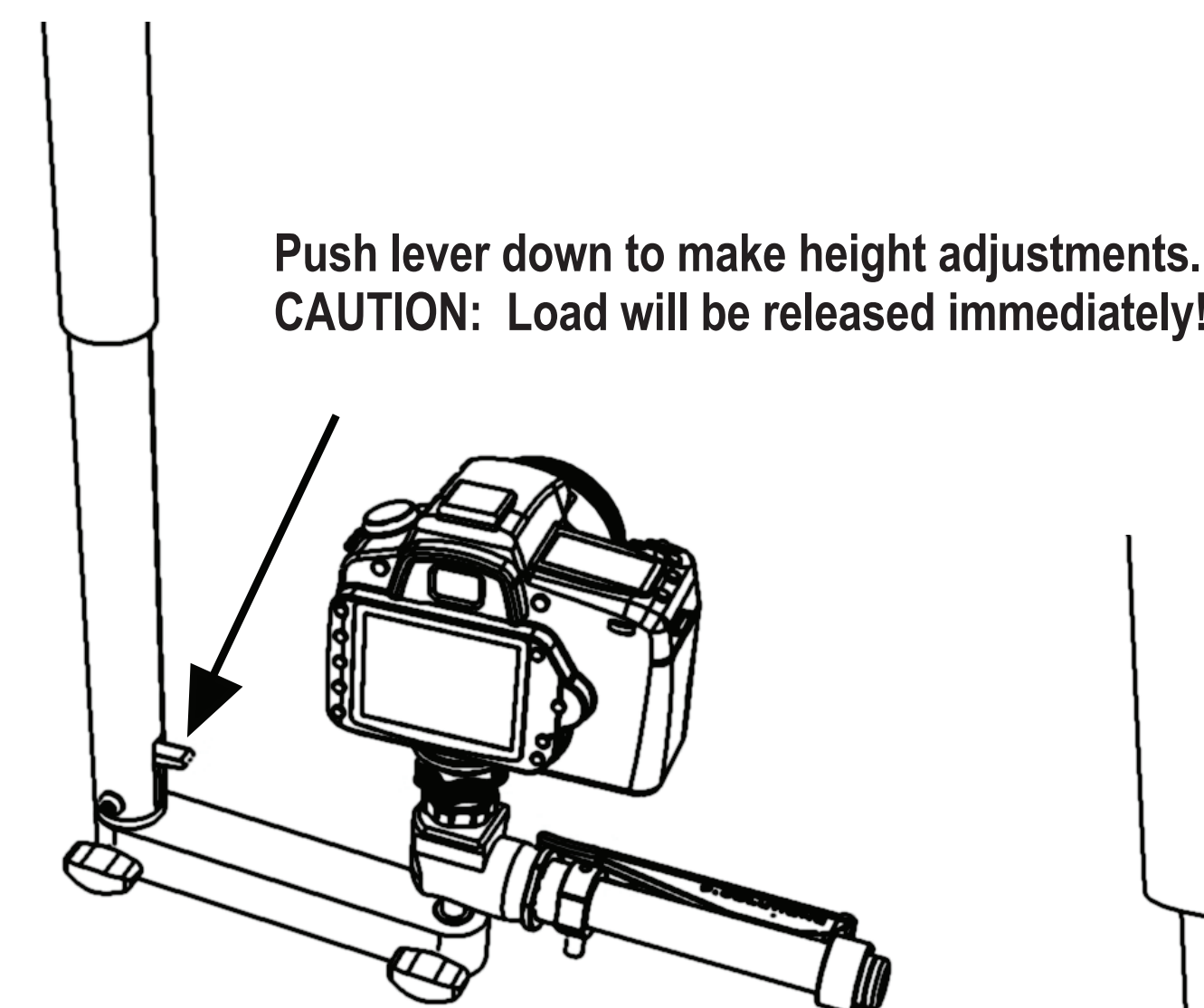
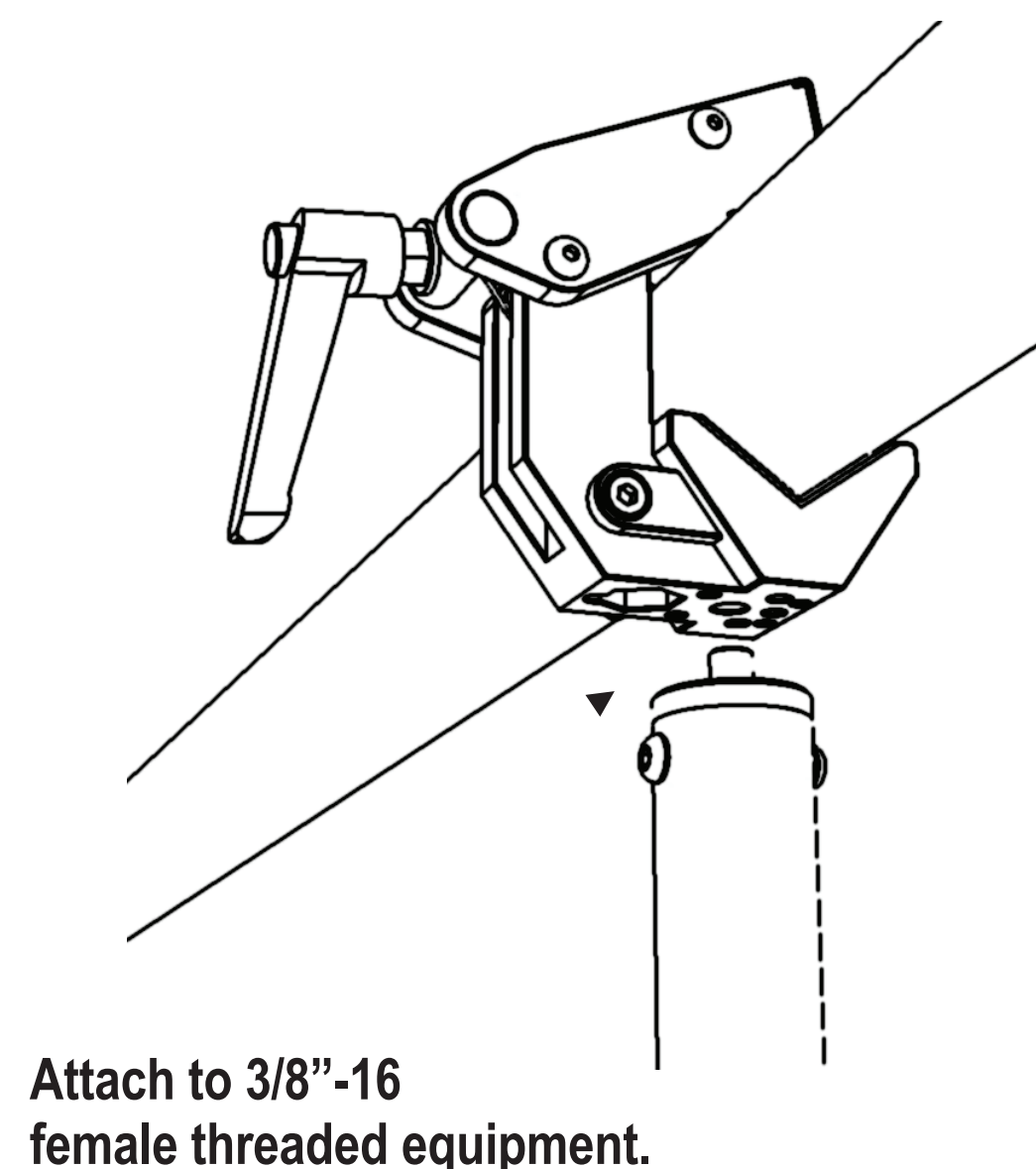
The top of Ex-sus Pole has a 3/8"-16 male thread so that it can be mounted to a 3/8"-16 female threaded clamp. The bottom of the Ex-sus Pole has a 5/8" pin allowing you to mount lights. Attaching the horizontal offset adds a 5/8" receptacle, perfect for the Angled EI-Bo Arm and a DSLR camera.

The Ex-sus Pole is patent pending.

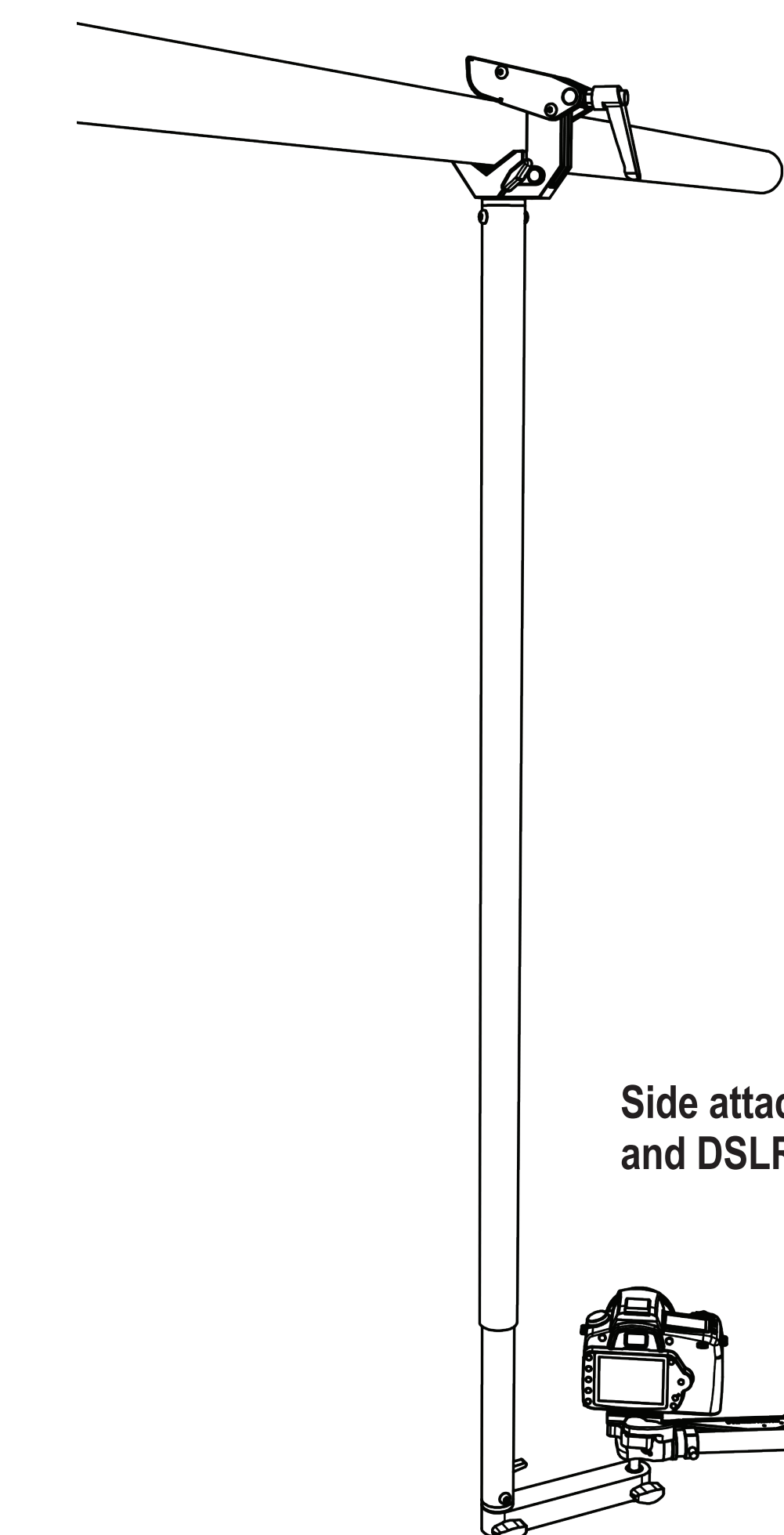
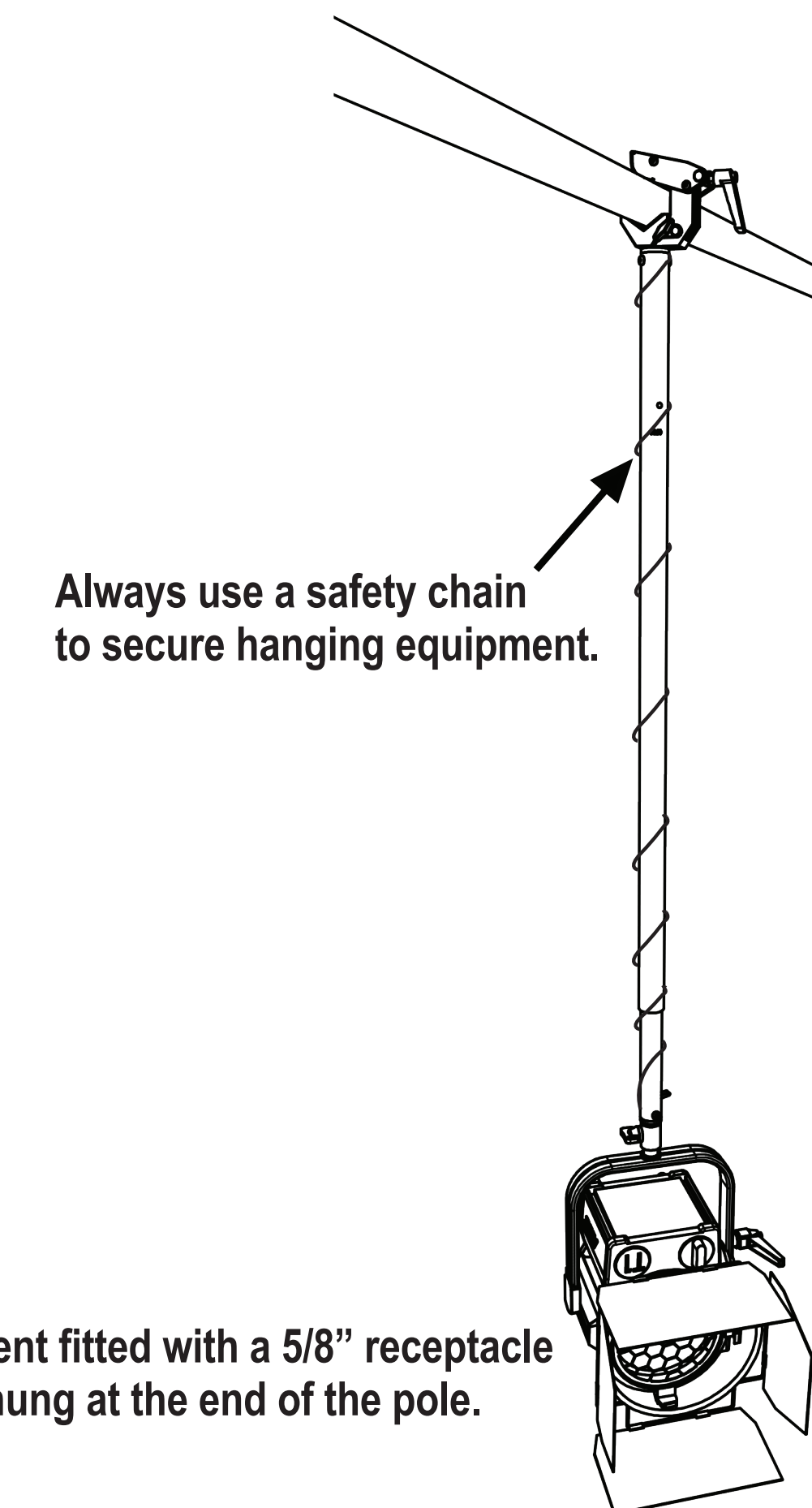
Thanks for purchasing a 9.Solutions product. With great passion, we design our products to be as versatile as possible. We hope that our products contribute to your creative vision.

Sincerely,

The 9.Solutions Team



Please always follow the safety standards and regulations of the given country where the product is being used.



**9.SOLUTIONS**  
Ex-sus Pole

### SPECIFICATIONS:

Weight: 1610 g  
Length: 110-198cm  
Max Load: 20 kg  
Connection(s):  
(1x : Top) 3/8"-16 Male Thread  
(1x : Bottom) 5/8" Pin  
Package Contents:  
(1x) Ex-sus Pole

Item: 9.VE5091



4 897068 900399  
Visit [www.9.solutions](http://www.9.solutions) for more info.