



C-Pan Arm II

USERS INSTRUCTIONS

Thanks for purchasing a 9.Solutions product. With great passion, we design our products to be as versatile as possible. We hope that our products contribute to your creative vision.

Sincerely,
The 9.Solutions Team

Please read and follow these instructions before use:

Introduction:

The C-Pan Arm II is a unique camera guide system that mechanically moves your camera in a variety of different paths: horizontally, vertically, or diagonally. The C-Pan Arm II is capable of curved camera paths as well, and its total movement range is 3.5 times its folded length.

When making a non-curved movement, the arm functions as a traditional, straight track slider. Small adjustments to the arm allow the camera to move in a curved path.

Specifications:

Model number: 9.CPA2C

Max load capacity doing horizontal movements: 17 lb / 8 kg

Max load capacity doing vertical movements: 13 lb / 6 kg

Weight (Body): 7.7 lb / 3.5 kg

Weight (Dumbbells): 8.8 lb / 4 kg

Pan Range (Vertical and Horizontal): 55 in / 140 cm

Curve Radius (Outward): 59 in / 1.5 m

Tripod Mount: 3/8"-16" Female

Camera Plate Mount: 1/4"-20 and 3/8"-16

Legal:

Liability: The C-Pan Arm II should only be operated by someone who has read and fully understands the instructions and applications for use along with any cautions or limitations. The C-Pan Arm II was designed to be used when the system has been appropriately counterbalanced. The C-Pan Arm II is not meant to be used with loads for horizontal movement over 17 lbs/8 Kgs and vertical movement over 13 lbs/6 kgs. Exceeding this weight capacity may trigger malfunction, which may result in C-Pan Arm II damage or failure. Personal injury and damage to equipment attached or within close proximity of the C-Pan Arm II may also result.

9.Solutions has made every effort to illustrate and describe the products and components in this manual accurately. Illustrations and descriptions including instructions for proper use and application as well as situations and practices to avoid. This is a precision piece of equipment designed for purpose. This is a robustly built piece of equipment though mishandling or failure to avoid it's limitations can cause damage and void our Warranty.

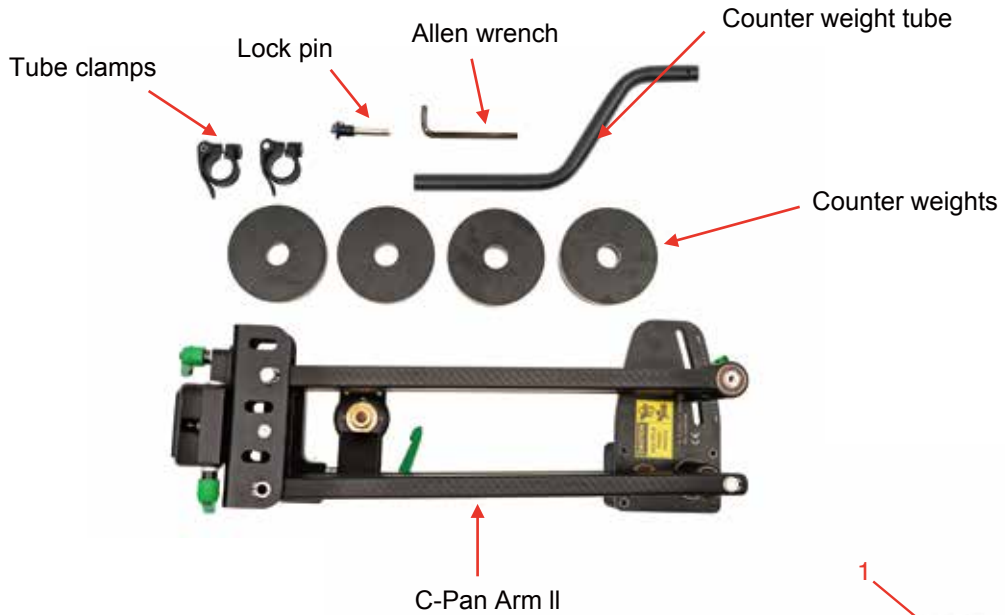
Limitation of liability: Limits specified by 9.Solutions must be observed. Exceeding these limits must be avoided under all circumstances. In the event of an accident or damages to equipment being used on or around The C-Pan Arm II, due to negligence or improper use, the manufacturer cannot be held liable for damages or injuries. The sequence stated in this manual and by 9.Solutions for use, assembly and disassembly must be observed.

Warranty: 9.Solutions products are warranted against defects for one year from date of purchase. Within this period of time 9.Solutions will repair it without charge for labor or parts. Warranty does not cover transportation costs nor does it cover a product subjected to misuse or accidental damage. Warranty does not cover corrosion from continued weather or sea exposure. Warranty repairs are subjected to inspection and evaluation by 9.Solutions.

Service life of the device: The service life is limited by material wear and fatigue. Service life is therefore dependent on the frequency of use and the environmental conditions to which the C-Pan Arm II is exposed.

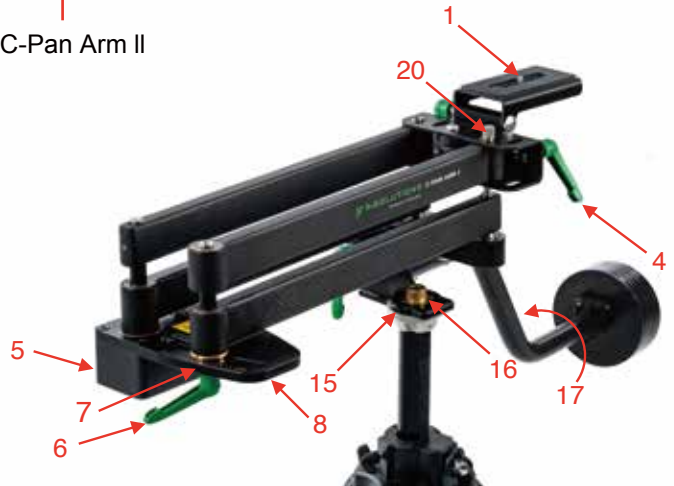
This product complies with the CE directives.

Package Content:



Features:

1. Camera screw
2. Camera plate
3. Camera plate forward/backwards tilt adjustment handle
4. Camera plate side to side slide and angulation adjustment handle
5. Gearbox
6. Curvature adjustment handle
7. Curvature indication scale
8. Gearbox plate
9. Counterweight
10. Counterweight tube
11. Lock pin for counterweight tube
12. Fulcrum
13. Fulcrum rosettes
14. Fulcrum tilt adjustable handle
15. Tripod plate
16. Tripod attachment knob
17. Level bubble
18. Attachment point for optional motor
19. 1/4"-20 tapped hole
20. Lock pin



Setup



1 A heavy duty tripod is required to mount the C-Pan Arm II. Insure that the max load capacity of the tripod is not exceeded. For best stability, spread the legs on the tripod as much as it is possible and make sure all the leg and lock knobs are securely tightened.



2 If there is a need to use the C-Pan Arm II for vertical movements, try to position the tripod legs so that there is a free space on the left side of the C-Pan Arm II. This will allow the arm to travel uninterrupted down the side of the tripod.



3 During transportation or when not in use, lock the two arms together with the lock pin. Align arms and push pin down into the bottom arm. The pin can be used on either side to lock the arms.



4 When operating the C-Pan Arm II, lift the lock pin until its bottom tip is flush with underside of arm. The lock pin can be removed completely if it is in the way.



5 When mounting the C-Pan Arm II on a tripod, loosen the fulcrum plate and tilt it at a 90 degree angle to the underside of the arm.



6 1. Place the C-Pan Arm II on the tripod.
2. Tighten the finger nut onto the tripod's 3/8" thread.
3. Securely tighten the nut with included Allen wrench.

Setup



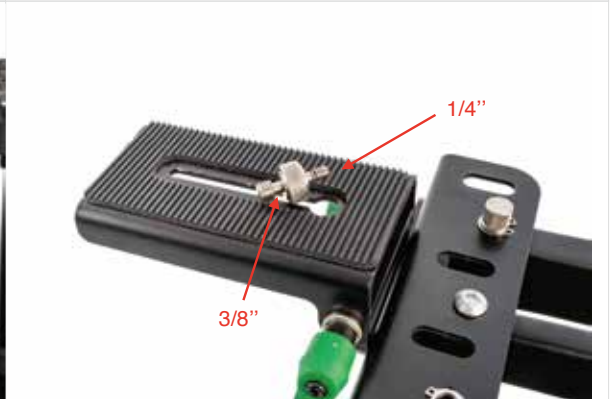
7 Tilt fulcrum back until the lines on top of fulcrum and arm base line up. Check the levelling bubble to insure that the C-Pan Arm II is set level in all directions.



8 1. Attach the counter weight tube to the front of the C-Pan Arm II
2. Insert the lock pin.



9 Place counter weights on tube. Place the weights as needed (depending on camera weight) to reach a safe operating balance. Weights can be set at different positions on the tube to increase or decrease counter balance. ***It is important to test the C-Pan Arm II at its maximum reach with the camera mounted to set the right weight requirement.***



10 Attach camera to the camera plate. The camera screw has a 1/4" thread on one side and 3/8" on the other



11 Make sure the screw is tightened enough to fix up the camera on the platform.



12 Use the camera plate tilt to position the camera lens in the middle of the two arms.

After every setup of the C-Pan Arm II: Double check that the arm always stays stable doing all its movements. Do this by supporting the camera while guiding it through its initial movements into its maximum positions.

Straight and curved movements:



Set adjustment handle to mid position for straight movement (indicated by a straight line)



Straight movements



Setting the adjustment handle at any position to the right of center position creates an inward curved movement. Any radius from 1.5m (59in) to straight can be achieved.



Curved movements (inward)

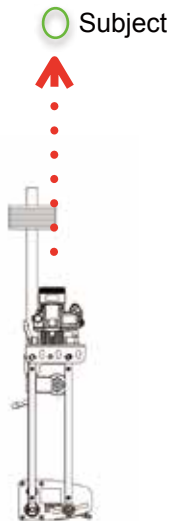


Setting the adjustment handle at any position to the left of center position creates an outward curved movement.

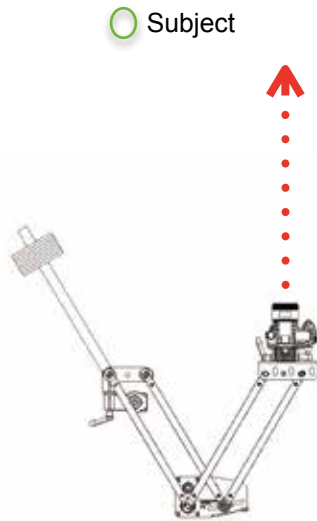


Curved movements (outward)

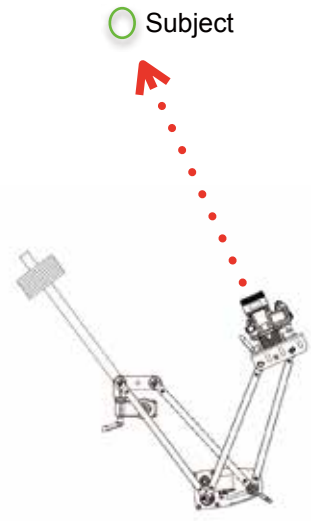
Set curved movements:



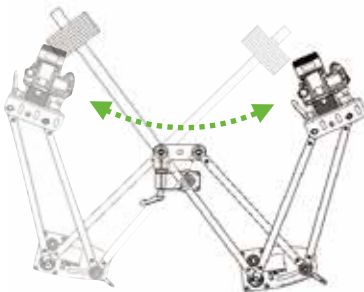
1. Align the camera lens and the C-Pan Arm II with the subject.



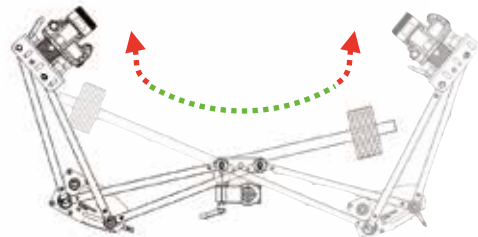
2. Move arm out to one side.



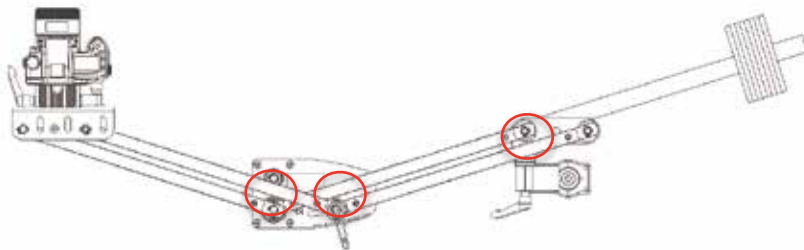
3. Loosen the adjustment handle and slide it to the right. Slide it until the camera lens lines up with the subject again. Tighten adjustment handle.



To maintain the most accurate curve, do not move the arms all the way to the maximum position.



The curvature of the movement becomes parabolic the further it gets to the maximum position.



When moving the C-Pan Arm II in a straight or curved movement, do not extend the arm all the way to where the two arms touch the hinges.

When operating the C-Pan Arm II, do not jolt the arms back and forth or make it abruptly stop or start. This could be damaging the gears and lead to increased backlash in the whole mechanism.

Tilted and vertical movement:



To easily tilt the C-Pan Arm II into a vertical or sloped position, move the arm out to the right side and (while holding the arm firmly) loosen the green fulcrum handle and tilt the arm to the desired position.



Set the arm at any desired angle from horizontal to vertical.



Always insure that the rosette teeth intermesh correctly when tightening down the green handle. Do not let go of arm before having insured that the fulcrum connection is secured.



Adjust camera tilt plate to accommodate the position of the arm.



C-Pan Arm II can be set at any sloped angle between 0 and 90 degrees at intervals of 15 degrees. Do not set it in-between where rosette teeth don't lock it securely in position.

Tilted and vertical movement:



Straight vertical movements



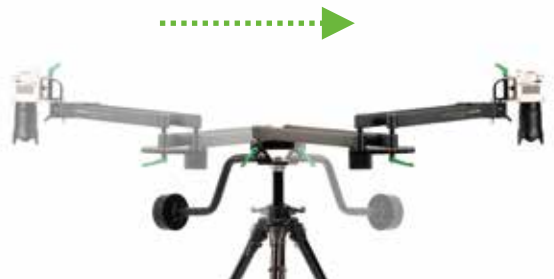
Sloped curved movement



To make in and out shots or fly-overs, simply loosen the camera screw and rotate the camera 90 degrees (or the desired angle) on the camera plate and then tighten screw again. The camera plate can then be tilted to any angle, depending on what kind of movement is desired.



In and out movement



Fly-over movement



For more info visit: www.9.solutions

Contact

Email: info@9.solutions

