

Thanks for purchasing a 9.Solutions product.  
With great passion, we design our products to  
be as versatile as possible. We hope that our  
products contribute to your creative vision.

Sincerely,

The 9. Solutions Team

**9.SOLUTIONS**  
LARGE TUBE MOUNT

**SPECIFICATIONS:**

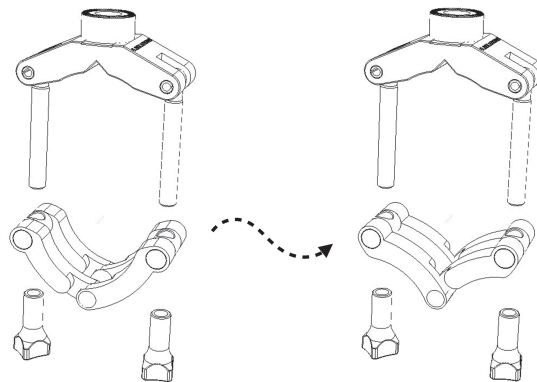
Weight: 236 g

Clamping Range:  
30-60mm (circular tube)  
40x400mm (rectangular or odd-shaped tube)

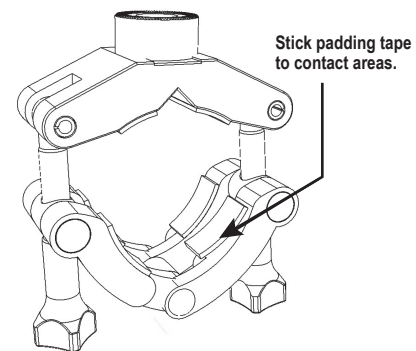
Max Load: 20 g

Connection(s):  
Magnetic Quick Mount

Bottom hinge links can be inverted to accommodate  
smaller or odd shaped sizes.



When mounting clamp on easy to scratch  
surfaces, use the included padding tape to  
protect the contact areas.



Always follow the safety standards and regulations of the given country where the product is being used.

Visit [www.9.solutions](http://www.9.solutions) for more info.