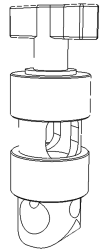


9.SOLUTIONS

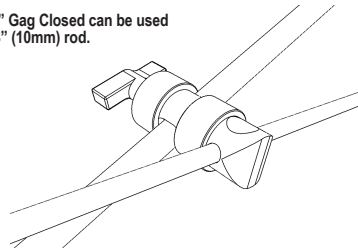
5/8" Gag Closed

5/8" Gag Closed

The 5/8" Gag Closed allows one 5/8" (16mm) rod to be joined and positioned anywhere in 360 degrees with either a 5/8" (16mm) rod or a 3/8" (10mm) rod. The 5/8" Gag Closed works perfectly for adding reinforcement components to a rigging structure. The option to convert from 5/8" (16mm) rod to 3/8" (10mm) rod gives you added flexibility for your rigging needs.



The 5/8" Gag Closed can be used with 3/8" (10mm) rod.



Item: 9.VG5096A



4 897068 900481

Visit www.9.solutions for more info.

See reverse side for more information.

Thanks for purchasing a 9.Solutions product.
With great passion, we design our products to
be as versatile as possible. We hope that our
products contribute to your creative vision.



Sincerely,

The 9.Solutions Team

SPECIFICATIONS:

Weight: 165 g

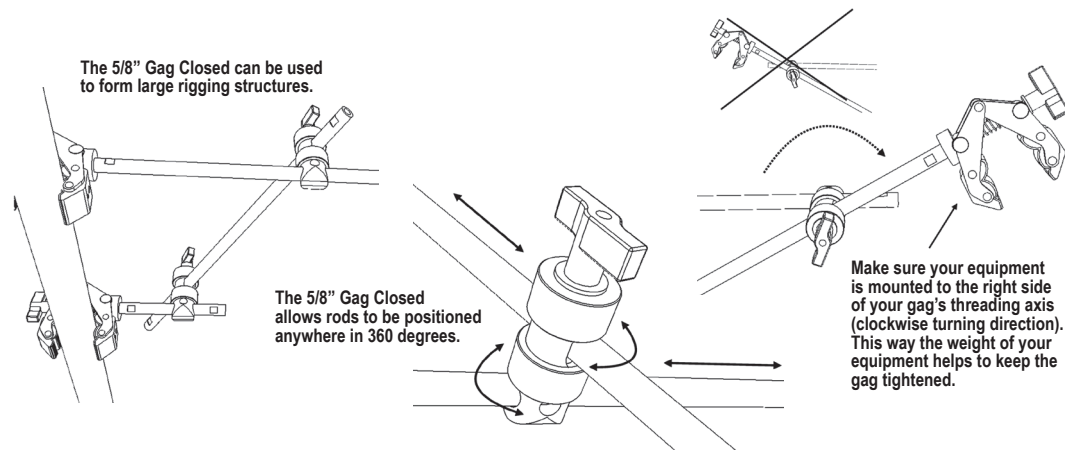
Connection(s):

(2x) 5/8" (16mm) Pass-thru Receptacle

(1x) 3/8" (10mm) Pass-thru Receptacle

Package Contents:

(1x) 5/8" Gag Closed



Always follow the safety standards and regulations of the given country where the product is being used.

Visit www.9.solutions for more info.