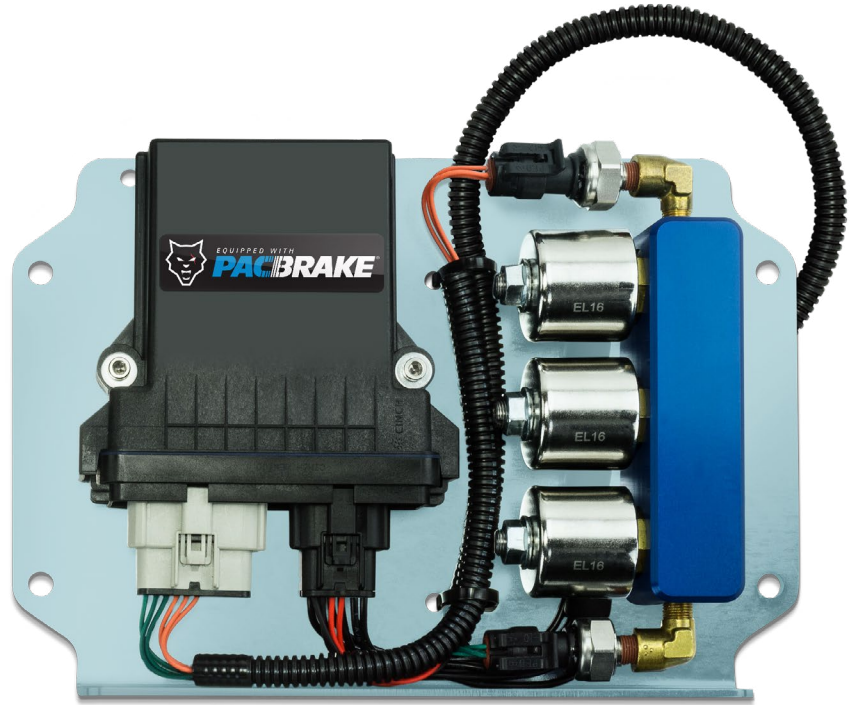


Installation Manual

VERSION
FRANÇAISE



WIRELESS AIR SPRING CONTROLS

10325 Wireless Air Spring Controls Kit

*Requires Air Springs and Onboard Air Systems
(sold separately).*

Giving you the ability to adjust your air spring pressure from your phone with the touch of a button. It's the perfect means to control your vehicle's air suspension system from inside or outside your vehicle!

Thank you & congratulations on the purchase of a Wireless Air Spring Control Kit.

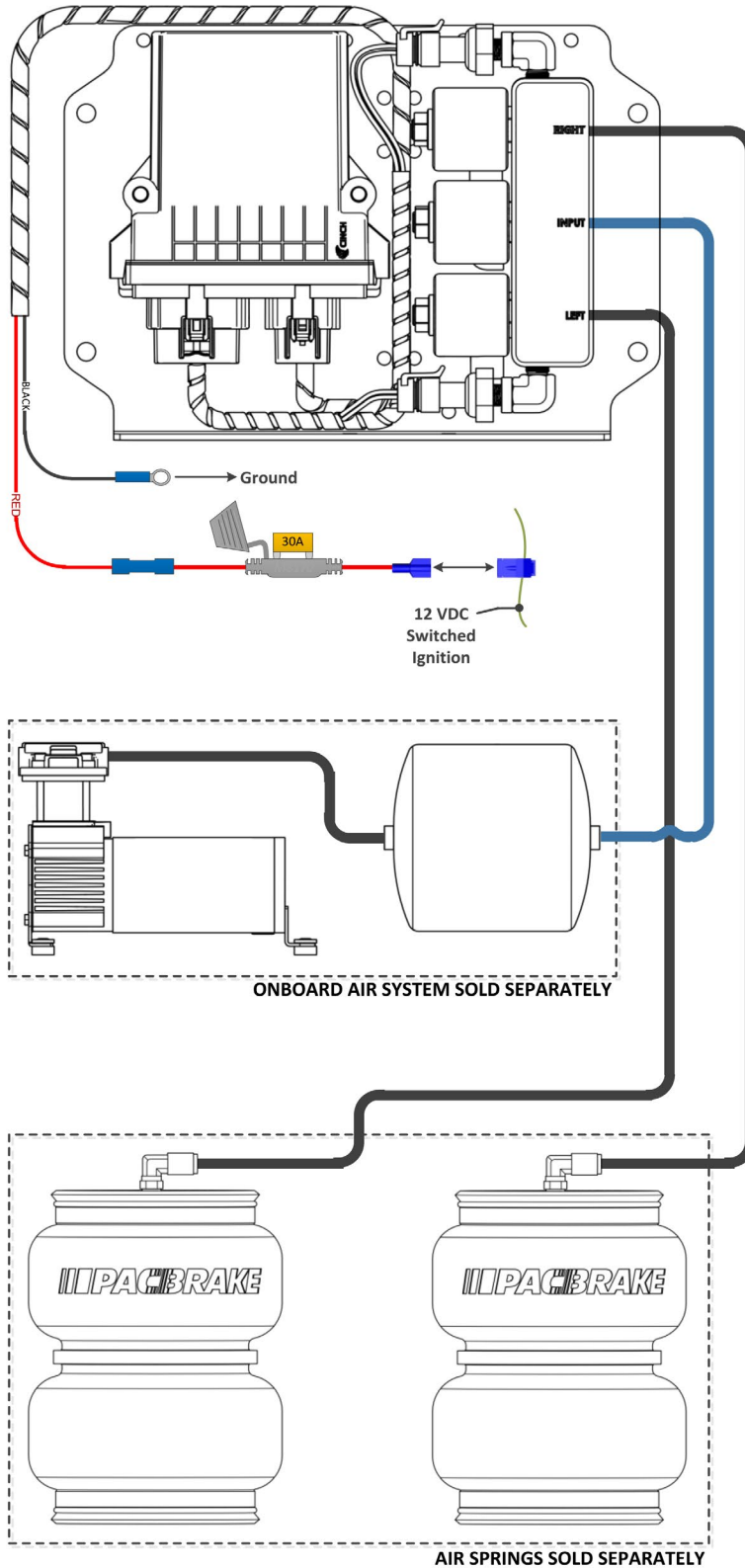
KIT CONTENTS

Please make sure all the items listed below are provided in your kit before starting the installation.

| KIT CONTENTS | QTY | REQUIRED TOOLS |
|------------------------|-----|--------------------------------------|
| Wireless Control Board | 1 | • Wire Strippers |
| Frame Bracket | 2 | • Terminal Crimper |
| 3/8" U-Bolt | 2 | • Heat Gun or Torch |
| 3/8" Nyloc Nut | 4 | • Ratchet and Socket Set |
| 3/8" Flat Washer | 4 | • Multi Meter or Test Light |
| 5/16" Hex Head Screw | 4 | • Torque Wrench |
| 5/16" Nyloc Nut | 4 | • Tube Cutter or Sharp Utility Knife |
| 5/16" Flat Washer | 8 | |
| T-Tap, 16-14 AWG | 1 | |
| Spade Terminal | 1 | |
| Fuse Holder | 1 | |
| Fuse, 10A | 1 | |
| Heat Shrinkable Splice | 1 | |
| Ring Terminal | 1 | |
| 1/4" Airline | 30' | |
| Swivel Air Fitting | 2 | |
| Tube Cutter | 1 | |

SYSTEM DIAGRAM: 10327

Please make sure all the items shown in the kit contents on Page 2 are provided in your kit before starting the installation.



BEFORE STARTING THE INSTALLATION:

1. Read through this manual and ensure you can complete the installation once started.
2. It is recommended to use a good quality anti-seize on all fasteners. This will reduce the chance of corrosion on the fasteners and will help facilitate removal, if required at a later date.

PLEASE NOTE:

Using scissors or wire cutters to cut the nylon airline will distort the line and cause the connection to leak. THE AIRLINE MUST BE CUT OFF SQUARELY WITH THE NYLON HOSE CUTTER OR A SHARP UTILITY KNIFE.

1 CONTROL BOARD INSTALLATION



This kit is designed to be installed along the frame rail of pickup trucks, see Figure 1A.

Check for clearance along the frame rail to ensure that the kit will not interfere with anything once installed. Refer to Figure 1C.

Fasten the control board to the two frame brackets using the supplied 5/16" cap screws, nuts and washers.

Fasten the control board to the two frame brackets using the supplied 5/16" cap screws, nuts and washers. Torque the hardware to 17 ft-lbs [23 N.m]. Refer to Figure 1B.

Mount the control board as high as possible on the frame rail and in the orientation shown in Figure 1C on the following page.

-  **Do NOT mount controller or compressor assembly directly on engine or other components exhibiting harsh vibration**
-  **Do NOT mount the controller or compressor assembly in areas where ambient temperature exceeds 70°C [158°F]**

Securely install the Control Board Assembly onto the frame rail of the vehicle using 2 U-bolts, 4 flat washers, and 4 nyloc nuts. Refer to Figure 1C.

Check to ensure control board and mounting brackets do not pinch or interfere with vehicle components.

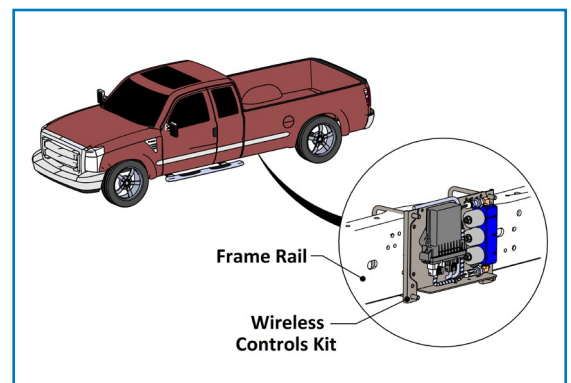
2 HARNESS INSTALLATION

Refer to the system diagram on page 3 for the following instructions.

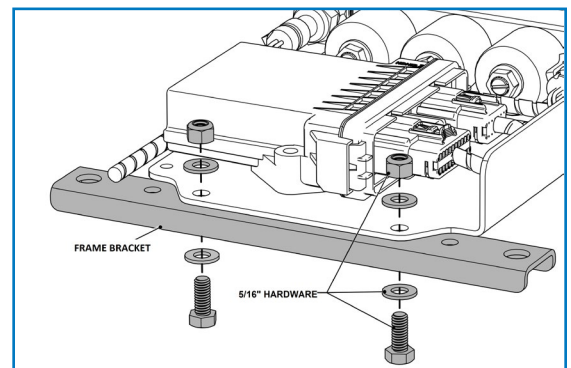
Locate a switched ignition wire at the fuse block in the engine bay

Ensure the ignition is OFF before proceeding.

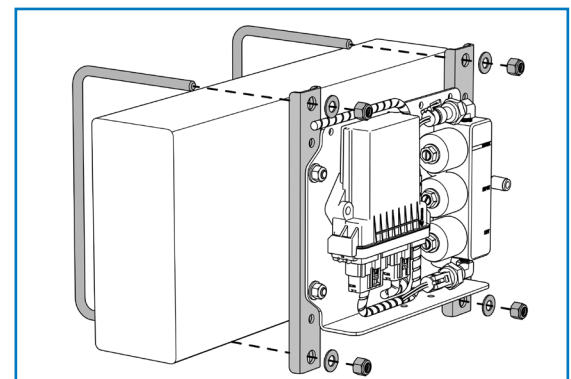
Step continues on the following page...



1A



1B



1C

Control Board Harness

Using Figure 2 as reference, route the red/black harness from the control board to the engine bay. Use the supplied zip ties to secure the harnesses away from heat sources and moving components. Extend/trim the harness as necessary.

Strip the end of the black wire and crimp the supplied ring terminal to it.

Connect the ring terminal to the negative terminal of the battery.

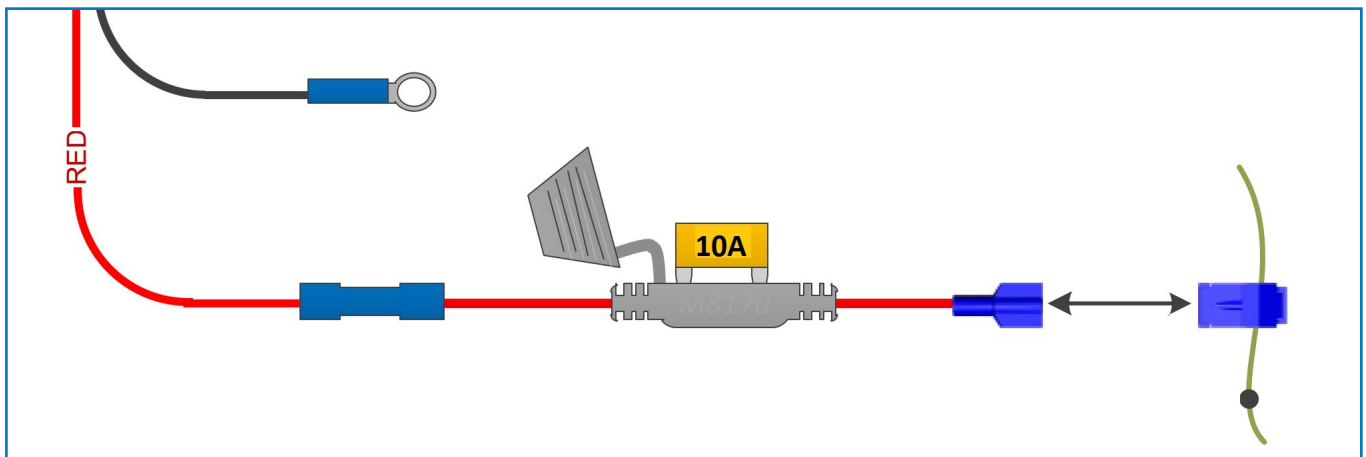
⚠ *If the negative terminal of the battery is not accessible, an external chassis ground may be used provided it has clean contact.*

Use the blue heat shrinkable splice to connect the fuse holder to the red wire.

Crimp the male spade terminal to the other end of the fuse holder.

Use the blue 16-14 AWG T-tap and crimp it onto a 12VDC switched ignition source, then connect the male spade terminal to the T-Tap.

⚠ *The T-tap can be crimped onto a constant 12VDC source – giving the user the ability to control their air springs without having to power the truck on. The controller consumes approximately 35-80mA in standby mode, which will slowly discharge the battery.*



2

3 PLUMBING

Refer to the system diagram on page 3 for the following instructions.

⚠ *Use the supplied tube cutter to cut the airline. Using scissors may distort the line and cause the fitting to leak.*

Connect the input of the solenoid block to the outlet of your onboard air system.

Connect the inlet of the **DRIVER** side air spring to the **LEFT** port on the solenoid block.

Connect the inlet of the **PASSENGER** side air spring to the **RIGHT** port on the solenoid block

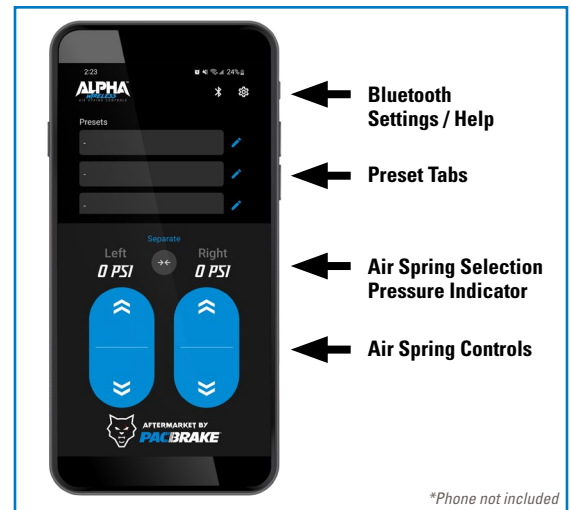
Use the supplied zip ties to secure the airlines away from heat sources and moving components

4 APPLICATION USER GUIDE

Download the Wireless Air Controls app on Google Play, the App Store, or visit www.pacbrake.com/wireless to download the latest version.



Once all installation has been completed, the system is ready to be paired with your mobile device.



*Phone not included

4

Pairing/Connecting the Controller with an Android Device:

- Switch vehicle to ignition power or idle engine to power controller
- Ensure that Bluetooth and Location services are turned on
- In system options, open the Bluetooth page
- Refresh and search for the controller with name containing “PACBRAKE”
- Select the controller for pairing – if successful, the Wireless controller will be added to the list of paired devices on your mobile device.
- Open the Wireless Air Spring Controls app. The Bluetooth toggle will illuminate to show if your device has successfully connected to the controller on the Wireless Controls kit.

Pairing/Connecting to Controller with an iPhone™:

- Ensure that Bluetooth and Location services are turned on
- Open the Wireless Air Spring Controls app. The Bluetooth toggle will illuminate to show that your device has successfully connected to the controller on the Wireless Controls kit.

PLEASE NOTE: If multiple Pacbrake app controlled devices are nearby, a window will be displayed to select a controller for connection.

Air Spring Inflation/Deflation

Press and hold the **Inflation** or **Deflation** button to adjust the pressure in the air springs.

Use the Air Spring Selection tab to select which air spring to inflate/deflate.

⚠ *The wireless app does not limit the minimum or maximum pressure in your air springs. Inflate your air springs according to your air spring manufacturer’s guidelines.*

Presets Tab

Use the **Presets Tab** to save pressure presets.

Press and hold one of the preset buttons to save the current pressure value as a preset. A message on the bottom of the screen will indicate that the preset has been saved.

Use these presets anytime to quickly adjust to the desired pressure.

Bluetooth Toggle

The **Bluetooth Toggle** illuminates when it has successfully connected to the wireless controller.

Tap the Bluetooth toggle to manually connect or disconnect from the controller.

NOTE: The app automatically connects to the controller on start-up.

Air Spring Selection

Select which air spring to inflate/deflate by tapping on the **Left**, **Both** or **Right** button.

Pressure Indicator

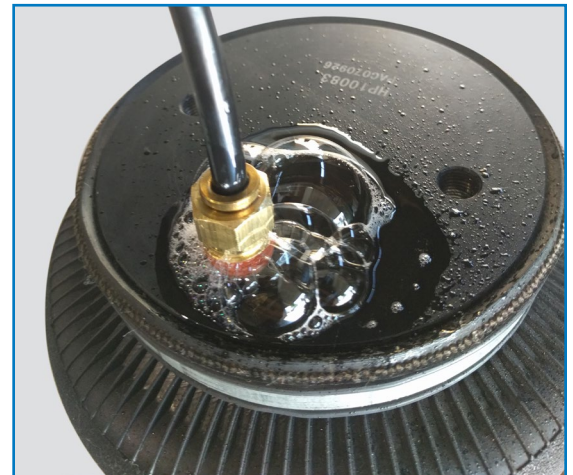
The Pressure Indicator shows the pressure of each air spring with an accuracy of $\pm 5\%$ over the entire range. The presets allow for rapid adjustment to the desired pressure (± 1 PSI)

5 LEAK TEST

Inflate both air springs to 90 PSI and wait for the pressure readings on the application to stabilize. Allow this pressure to remain in the system for a few minutes and ensure that it is not dropping.

If the pressure is slowly decreasing over several minutes, use soapy water on all airline connections to detect any air leaks. Repair as necessary and retest.

Inflate the air springs to a predetermined value, and on the following day recheck the pressure. If one or both the air springs have lost pressure, an air leak is present. The leak must be repaired, and then retested until no leaks exist.



5

Congratulations!

You have completed the installation.

Please proceed to the warranty information and operating guidelines & disclaimers

WARRANTY

To be eligible for warranty, owner must submit their warranty card or register online within 30 days of purchase date. Refer to the Warranty Sheet included in this kit for more information.

Operating your vehicle with Air Suspension

Air springs have minimum and maximum pressure requirements. Never operate your vehicle with less than 10 PSI in the air spring and never inflate the air springs over 100 PSI. Staying within the pressure limit will ensure maximum air spring life. Failure in doing so may void the warranty. Check the air pressure in the air springs daily for the first couple of days to ensure a leak does not develop (see Leak Test, above). The air springs are designed to maintain the vehicles stock ride height with a load. Do not use the air springs as a means to lift the vehicle with no load. A rough ride may result.

Servicing your vehicle with Air Suspension

When lifting the vehicle with a floor jack or hoist on the frame, never allow the air spring to limit the travel of the axle. Try to always jack the vehicle on the axle. Suspending the axle with the air spring limiting the axle travel will damage the air spring and void the air spring warranty.

DISCLAIMER

Driving while distracted can result in loss of vehicle control that may lead to an accident, severe personal injury, or death.

The driver’s primary responsibility is in the safe and legal operation of a vehicle, and use of any handheld devices, other equipment, or vehicle systems which take the driver’s eyes, attention and focus away from the safe operation of a vehicle or which are not permissible by law should never be used during operation of the vehicle.

LEGAL

- Apple, the Apple logo, iPhone, and iPod touch are trademarks of Apple Inc., registered in the U.S. and other countries. App Store is a service mark of Apple Inc., registered in the U.S. and other countries.
- Google Play and the Google Play logo are trademarks of Google LLC
- Android is a trademark of Google LLC
- The Android robot is reproduced or modified from work created and shared by Google and used according to terms described in the Creative Commons 3.0 Attribution License.

FCC REGULATORY APPROVAL

Contains Transmitter Module FCC ID: A8TBM70ABCDEF GH

This equipment has been tested and found to comply with the limits for a Class B digital device, pursuant to part 15 of the FCC Rules. These limits are designed to provide reasonable protection against harmful interference in a residential installation. This equipment generates, uses, and can radiate radio frequency energy, and if not installed and used in accordance with the instructions, may cause harmful interference to radio communications. However, there is no guarantee that interference will not occur in a particular installation. If this equipment does cause harmful interference to radio or television reception, which can be determined by turning the equipment off and on, the user is encouraged to try to correct the interference by one or more of the following measures:

- Reorient or relocate the receiving antenna.
- Increase the separation between the equipment and receiver.
- Connect the equipment into an outlet on a circuit different from that to which the receiver is connected. Consult the dealer or an experienced radio/TV technician for help.

IC REGULATORY APPROVAL

Contains transmitter module IC: 12246A-BM70BLES1F2

This device complies with Industry Canada license-exempt RSS standard(s).

Operation is subject to the following two conditions:

- 1) This device may not cause interference, and
- 2) This device must accept any interference, including interference that may cause undesired operation of the device.

APPROBATION RÉGLEMENTAIRE IC

Contient le module émetteur IC: 12246A-BM70BLES1F2

Le présent appareil est conforme aux CNR d'Industrie Canada applicables aux appareils radio exempts de licence.

L'exploitation est autorisée aux deux conditions suivantes:

- 1) l'appareil ne doit pas produire de brouillage, et
- 2) l'utilisateur de l'appareil doit accepter tout brouillage radioélectrique subi, même si le brouillage est susceptible d'en compromettre le fonctionnement.