

Installation Manual

VERSION
FRANÇAISE



10002 / 10089 KIT

10002: Dodge RAM 2500 4WD*
Dodge RAM 3500 4WD*
RAM Mega Cab 1500, 2500 & 3500 4WD*
RAM 3500 Chassis Cab, 2WD/4WD* †

† Installations on these vehicles require an additional kit (10136 or 10349) for vehicles that have a round axle tube with the breather located approximately 7" from the spring pack.

10089: Dodge RAM 2500 2WD*
Dodge RAM 3500 2WD*
RAM Mega Cab 1500, 2500 & 3500 2WD*



WARNING: This product can expose you to the chemical Hexavalent Chromate, which is known to the State of California to cause cancer and birth defects or other reproductive harm. *For more information go to www.P65Warnings.ca.gov*

Thank you and congratulations on the purchase of an air suspension kit. Please read the entire manual prior to starting the installation to ensure you can complete it once started.

IMPORTANT

This air suspension kit will not increase the GVWR (*Gross Vehicle Weight Rating*), as the GVWR is determined by the vehicle manufacturer. **Do not exceed the maximum capacity listed by the vehicle manufacturer.**

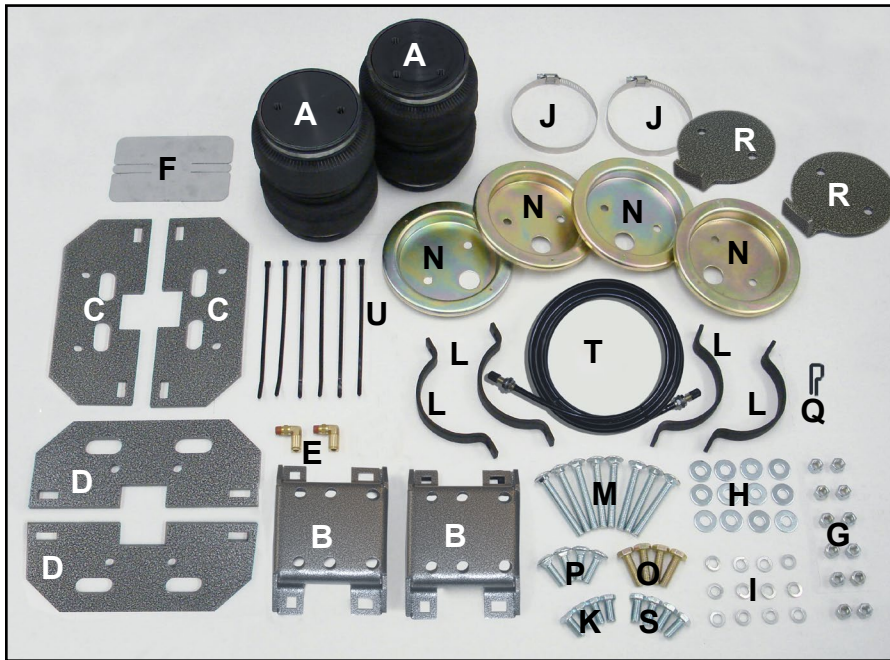
PLEASE NOTE: The air bag must have clearance between itself and the surrounding components to prevent any contact when bag is inflated or compressed. Trimming off excess bolt length is also required to ensure no contact with the bag or other suspension components can be made once installed.

Safety Warnings!

- ❶ Serious personal injury or death may result from an air spring failure or accident due to improper installation or air spring pressure operation or maintenance. Please read and abide the instructions, safety recommendations and maintenance suggestions throughout this manual.
 - ❶ Inflating an unsecured air spring is dangerous. If it bursts, it could be hurled into the air with explosive force resulting in serious personal injury or death. Never inflate an air spring unless it is secured to the vehicle.
 - ❶ Removing and replacing air springs can be dangerous. This is only a job for a qualified service professional. Never perform air spring service procedures without proper training, tools, and equipment.
-

KIT LAYOUT

Please make sure all the items shown in the kit layout are provided in your kit before starting the installation.



KIT CONTENTS		QTY	PART #	REQUIRED TOOLS
A	Air Spring (HP10002 Kits)	2	HP10000	<ul style="list-style-type: none"> • Hoist or Floor Jack • Safety Stands • Safety Glasses • Torque Wrench • Standard Combination Wrenches • 7/32" Hex Allen Wrench • 1-1/8" Wrench or Deep Socket • Heavy Duty Drill • 3/8 & 5/16 drill bits (very sharp) • 3/8" Nut Driver • Ratchet • Metric & Standard Sockets • Hose Cutter (included) or Sharp Utility Knife • Pipe Thread Sealant • Spray Bottle with Dish Soap/Water • Air Compressor/Compressed Air Source (to test/fill air springs)
	(HP10089 Kits)	2	HP10083	
B	Lower Bracket	2	HP0022	
C	Upper Frame Bracket	2	HP1147	
D	Upper Air Spring Bracket	2	HP1148	
E	90° Fitting	2	HP1100	
F	Heat Shield	1	HP0012	
G	3/8 Nylock Nut	12	HP1000	
H	3/8 Flat Washer	12	C653	
I	3/8 Lock Washer	4	C18007	
J	Gear Clamp #48-102	2	HP1001	
K	3/8 NF x 7/8 Capscrews (Upper Spring)	4	HP1002	
L	4 Axle Strap	4	HP0021	
M	3/8 - 16 x 3 Carriage Bolt	8	HP1003	
N	Roll Plate	4	HP10054	
O	M10 x 35 Capscrews	4	HP1134	
P	3/8 - 16 x 1 1/4" Carriage Bolt	4	HP1149	
Q	Clamp	1	HP1006	
R	Lower Air Spring Support Bracket	2	HP0093	
S	3/8" NF x 1" Capscrews (Lower Spring)	4	HP1183	
T	Air Line/Valve Assembly	1	HP1344	
U	Tie Strap	6	C11618	

BEFORE STARTING THE INSTALLATION:

1. Ensure the application information is correct for the make, model and year of the vehicle you are installing the kit on.
- * If installing a 10002 in a RAM 3500 Chassis Cab truck, install the appropriate Breather Relocation Kit (10136 for 2007-2018, 10349 for 2019+) BEFORE installing the 10002 air springs. Follow the instructions provided within the 10136/10349 to do so.

Installing the 10136/10349 Breather Relocation Kit is only required for 3500 Chassis Cab vehicles with round axle tubes having the breather located approximately 7" from the drivers side leaf spring pack.

2. Some vehicles are equipped with a rear wheel brake proportioning valve. Check with the manufacturer before installing the air spring kit, as it may affect braking performance.
3. It is recommended to use a good quality anti-seize on all fasteners. This will reduce the chance of corrosion on the fasteners and will help facilitate removal, if required at a later date.

PLEASE NOTE:

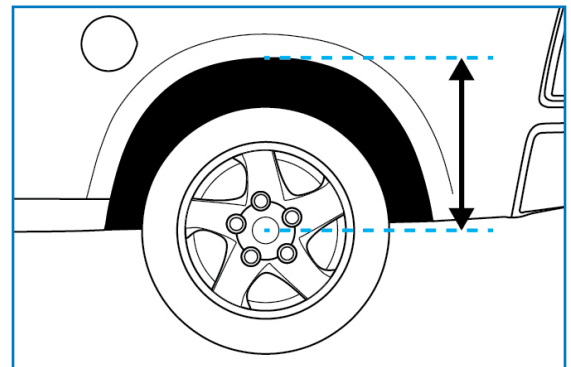
This kit contains push-to-connect fittings; using scissors or wire cutters to cut the nylon airline will distort the line and cause the connection to leak. THE AIRLINE MUST BE CUT OFF SQUARELY WITH THE NYLON HOSE CUTTER PROVIDED IN THIS KIT OR A SHARP UTILITY KNIFE.

1 MEASURE STOCK RIDE HEIGHT

Park the vehicle on a level surface.

Using a measuring tape, measure the distance between the center of the wheel hub and the bottom of the fender well (as shown in Figure 1) this will give you your ride height.

Note the ride height for all four corners.



1

2 REMOVE REAR WHEELS

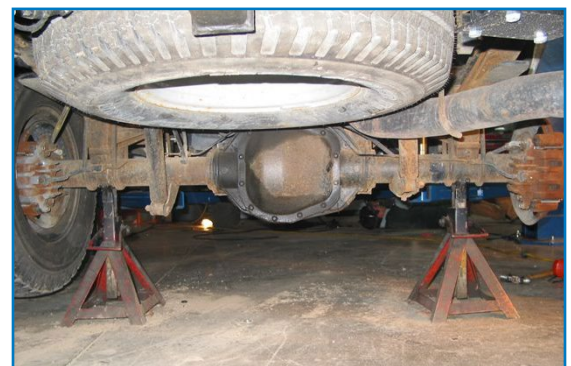
Place wheel chocks in front of and behind both front wheels.

Raise the rear of the truck high enough to remove both wheels and attain a comfortable working height.

Place two jack stands under rear axle (shown in Figure 2).

Lower the vehicle until the axle is supported by the jack stands.

Remove rear wheels.



2

3 REMOVE JOUNCE BUMPERS

Remove the jounce bumpers from both sides of the vehicle.

4 UPPER ROLL PLATE

Place the upper roll plate (with the rounded side towards the air spring) on the top of the air spring (top being the end with the air inlet port - see Figure 4 for reference). Install the air fitting supplied, use thread sealant to prevent air leaks.

Repeat on the other air spring.



3

5 UPPER ROLL PLATE BRACKET

NOTE: This kit contains 4 pieces of a 3/8"NF x 7/8" capscrews (upper bracket), and 4 pieces of a 3/8"NF x 1" capscrews (lower bracket). It is imperative that these capscrews be identified before proceeding. Installing the incorrect capscrew WILL cause the air spring to leak (and this will NOT be covered under warranty).

Place the upper air spring mounting bracket on top of the air spring and roll plate (as shown in Figure 5).

The upper air spring mounting bracket is identified by the two 3/8" holes next to the air fitting cut out. Using 2 - 3/8" NF x 7/8" capscrews provided, fasten the bracket to the air spring. Torque both capscrews to 20 ft-lbs, 27 N•m.



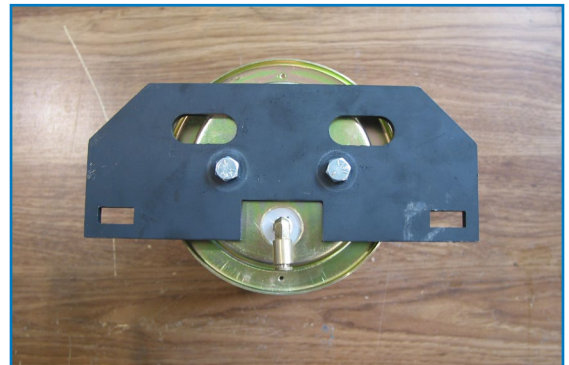
4

6 LOWER ROLL PLATE & BRACKET

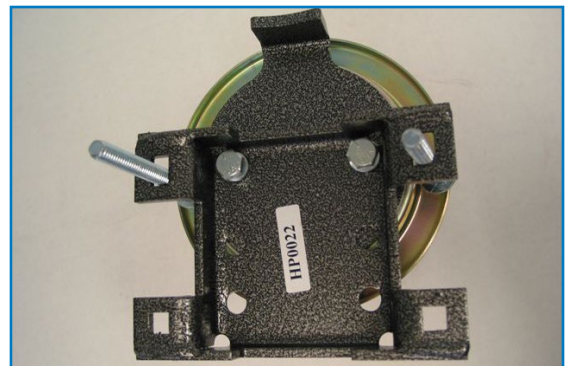
Place the lower roll plate on the bottom of the air spring (rounded side towards the air spring). Locate the lower air spring mounting brackets and support plates.

Place the lower support bracket on the roll plate with the bent leg to the same side as the air fitting in the upper end of the air spring. The bent leg of the support bracket must be pointing away from the air spring. Align the two holes in the bracket with those in the roll plate and air spring.

NOTE: The lower brackets have 2 extra sets of holes to fit various applications, use only the mounting holes shown in Figure 6 for this application. When installed on the vehicle the lower bracket will be offset towards the outside of the vehicle and the air inlet fitting should be towards the inside of the vehicle.



5



6

Step 6 continues on following page...

The lower bracket is designed to be installed offset to the lower end of the air spring. The offset must be opposite the air fitting installed in Step 4.

Two 3 long carriage bolts must be installed into the two elongated holes of the lower bracket before it can be fastened to the air spring and roll plate. Using 2 - 3/8 NF x 1" long capscrews and lock washers provided, fasten the bracket to the air spring. Torque both capscrews to 20 ft-lbs, 27 N•m.

Repeat Steps 4-6 for other air spring

7 ATTACH THE UPPER BRACKET

Using the M10 x 35 capscrews provided, fasten the upper air spring mounting bracket to the frame as shown in Figure 7. Torque the capscrews to 30 ft-lbs, 40 N•m.

The upper brackets must be installed to the jounce bracket with the air inlet fitting cutout and rectangular holes in the bracket facing towards the center of the vehicle.



7

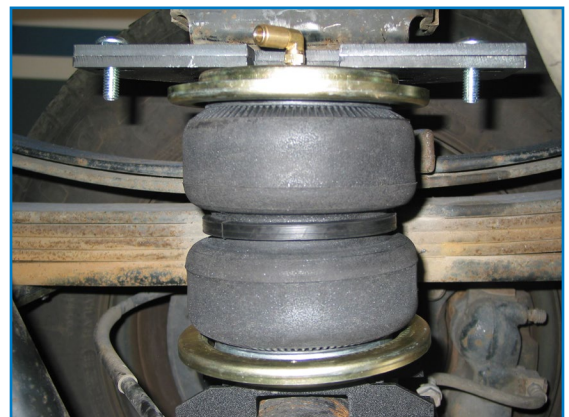
8 INSTALLING THE AIR SPRING

Passenger side shown in Figure 8

Insert the air spring between the jounce bumper mounting plate and the axle tube. Some vehicles may require the frame to be jacked up slightly to attain clearance.

NOTE: Air fittings must be positioned towards the center of the vehicle. The outer rear carriage bolts may be installed now. The outboard rear carriage bolt on the passengers side must be between the brake line and the axle tube. On the drivers side both rear carriage bolts must be in between the brake line and the axle tube.

Loosely install two of the 1 1/4 long carriage bolts through both upper mounting plates. Install the flat washers and nylock nuts provided. Loosely install the axle straps to the carriage bolts using the flat washers and nylock nuts provided.



8

9 ADJUSTING THE AIR SPRING

Double convoluted 4 wheel drive air springs shown in Figure 9B

Adjust the air spring assembly to the upper bracket by moving the lower bracket on the axle tube to ensure the air spring is correctly aligned, as shown in Figure 9A & 9B: Air Spring Alignment diagram.



9A

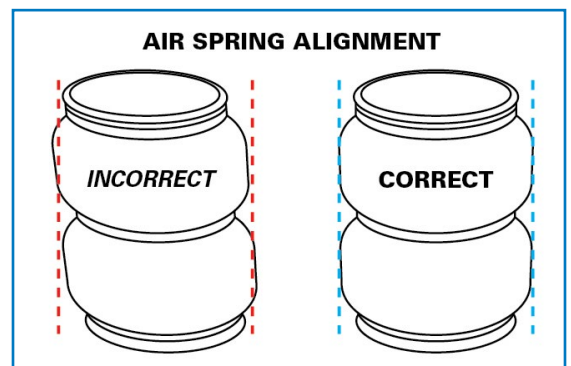
10 CHECK THE CLEARANCE

Check the clearance around the brake lines and carriage bolts. The brake line must not touch the carriage bolts, adjust if necessary.

Once alignment of the air spring is correct, tighten the two 1 1/4 carriage bolts to 20 ft-lbs 27 N•m, and then torque the 4 axle strap carriage bolt nuts also to 20 ft-lbs 27 N•m.

Repeat on the other air spring.

NOTE: *Install the clamp provided to secure the emergency brake cable to the driver side front 1 1/4 carriage bolt (Figure 10).*



9B

11 INSTALL HEAT SHIELD

Bend tabs on the heat shield so the required 1/2" of dead space exists between the heat shield and exhaust when attached.

Attach the heat shield to the exhaust pipe on passenger side using two ring clamps (shown in Figure 11). Each hose clamp holds a tab against exhaust pipe.



10



11

12 INSTALL AIR LINE

PLEASE NOTE: This kit contains push-to-connect fittings; using scissors or wire cutters to cut the nylon airline will distort the line and cause the connection to leak. THE AIRLINE MUST BE CUT OFF SQUARELY WITH THE NYLON HOSE CUTTER PROVIDED IN THIS KIT OR A SHARP UTILITY KNIFE

Provided in air spring kit are two fill valves. The most common place to install is in place of license plate fasteners. Alternatively, two 5/16" holes can be drilled in a convenient location.

Cut air line assembly into two equal lengths with hose cutter.

Install one air line, route the nylon air line to an air spring fitting and cut the hose. Moisten the end of the air line prior to inserting it into the fitting and push it in until it stops.

Repeat with the other fill valve.

Secure airlines using the tie-straps, away from moving items and heat sources.

Place a 5/16" nut on the air valve. Leave enough of the inflation valve in front of the nut to extend through the hole, install a flat washer, and 5/16" nut and cap (reference Figure 12 for assembly).

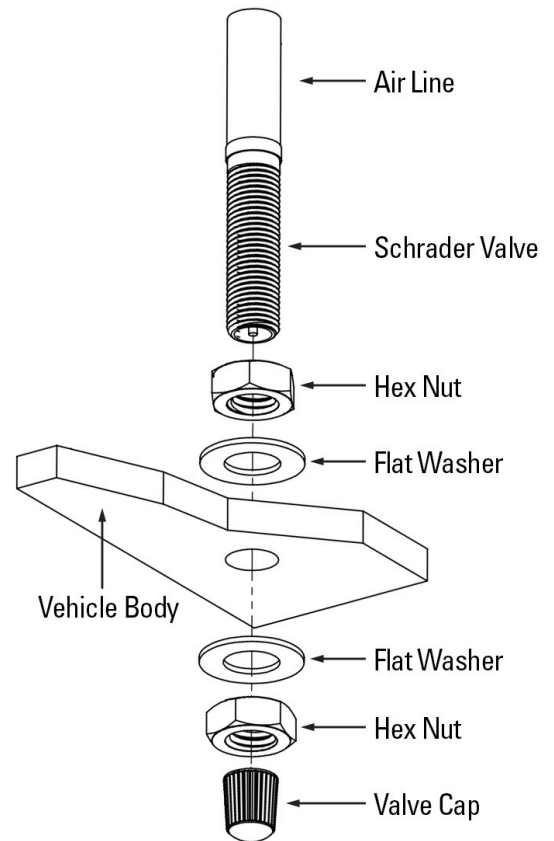
There should be enough valve exposed after installation—approximately 1/2"—to easily apply a pressure gauge or an air chuck.

If an in-cab inflation kit is being installed, follow the instructions provided with that kit now.

13 CHECK SYSTEM FOR LEAKS

Inflate both air springs to 90 psi and then use a mixture of dish soap and water on all air line connections to detect any air leaks. Large, expanding bubbles indicate a leak (as shown in Figure 13). Repair as necessary and retest.

Inflate air springs to a predetermined value and on following day recheck pressure. If one or both of air springs have lost pressure, an air leak is present. Leak must be repaired, and then retested until no leaks exist.



12



13

14 AFTER COMPLETING THE INSTALLATION

PLEASE REMEMBER:

Install wheels and torque fasteners to manufacturer’s specifications.

Re-torque all fasteners after first 500 miles of driving.

For safe and proper operation, never operate the vehicle under minimum of 10 psi or over maximum of 100 psi in air springs. Staying within pressure limit will ensure maximum air spring life. Failure in doing so may result in a void warranty (see Note below).

Do not exceed maximum vehicle payload. Failure to do so may result in failure of the air suspension kit and/or damage to your vehicle.



Thank you again, and congratulations on the installation of the air suspension kit.

OPTIONAL ACCESSORIES

Optional dual needle air gauges are available to monitor pressure in each spring from vehicle cab, as well as a full line of air compressors, air tanks, and solenoids built to work with and control your air spring system.

OPERATING YOUR VEHICLE WITH AIR SUSPENSION

Air springs have minimum and maximum pressure requirements. Never operate your vehicle with less than 10 psi in air spring and never inflate air springs over 100 psi. Damage to air springs will result.

Check air pressure in air springs daily for first couple of days to ensure a leak has not developed. Air springs are designed to maintain the vehicles stock ride height with a load. Do not use the air springs as a means to lift vehicle with no load. This will result in a harsh ride.

SERVICING YOUR VEHICLE WITH AIR SUSPENSION

When lifting the vehicle with a floor jack or hoist on the frame, never allow the air spring to limit the travel of the axle. Try to always jack the vehicle on the axle. Suspending the axle with the air spring limiting the axle travel will damage the air spring and void the air spring warranty.

WARRANTY

To be eligible for warranty, the owner must submit their warranty card or register online within 30 days of the purchase date.

NOTE: The owner’s warranty will be void if air springs are run with less than the minimum of 10 psi.

