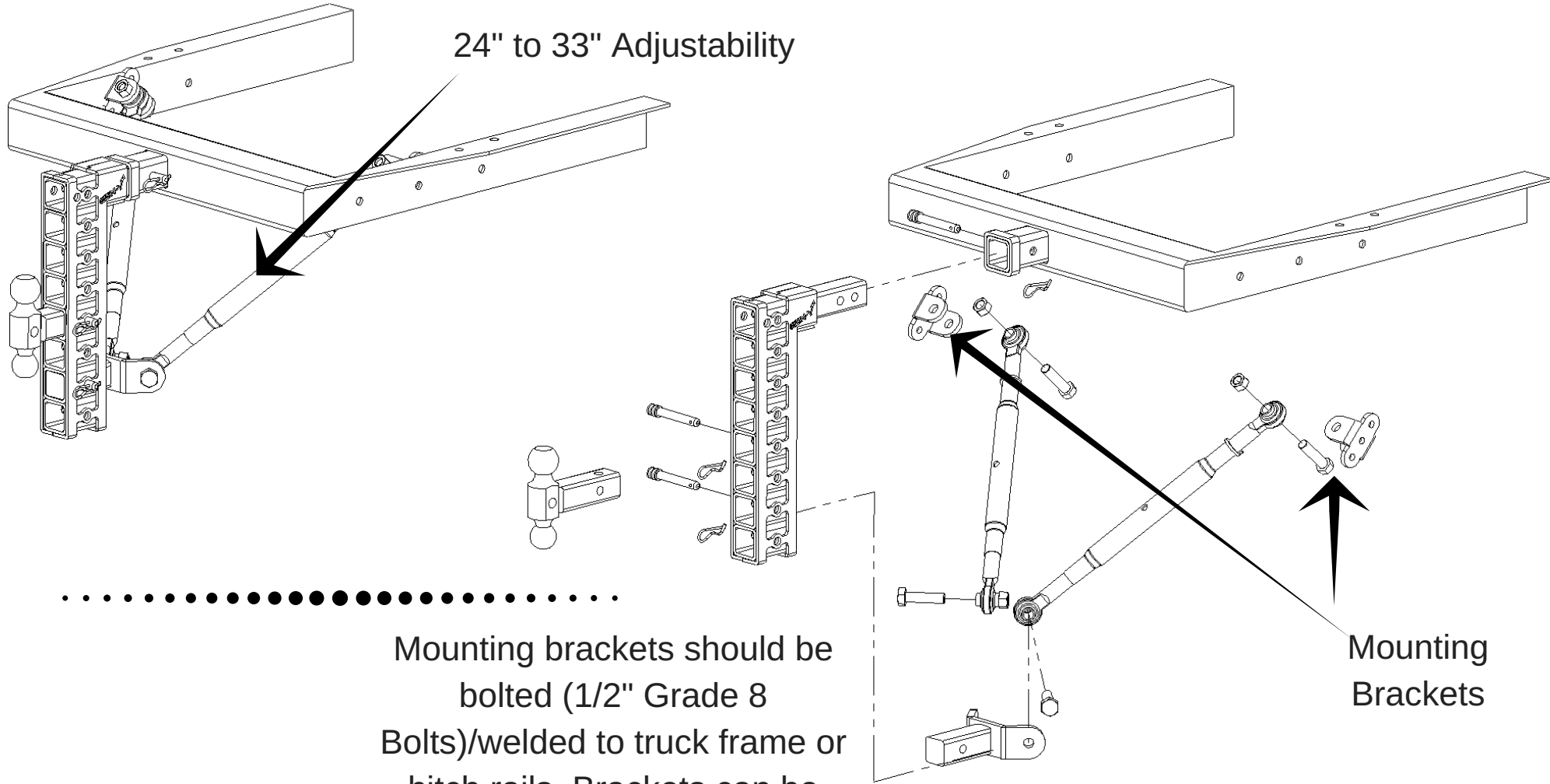




Adjustable stabilizer bar kit,  
includes all mounting brackets &  
hardware. Compatible with 2" or  
2.5" GEN-Y Hitch. (Hitch is NOT  
included)

# Drop Hitch Stabilizer Kit- GH-0100

Users Guide



Mounting brackets should be bolted (1/2" Grade 8 Bolts)/welded to truck frame or hitch rails. Brackets can be mounted on the side (as pictured) or on bottom rail.

Mounting Brackets