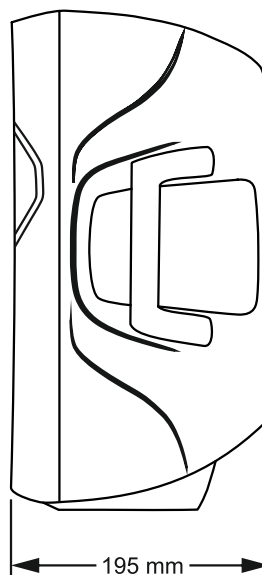
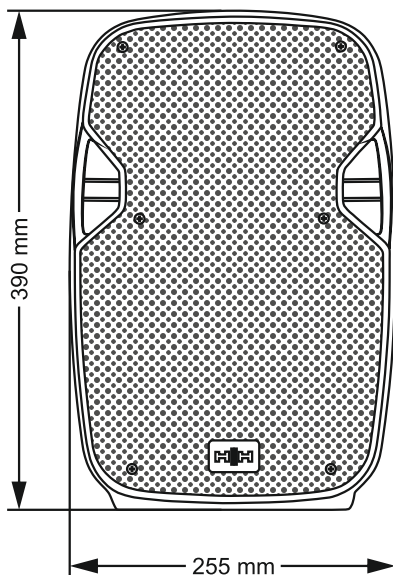


VRE SERIES, ACTIVE PA CABINET

VRE-8AG2

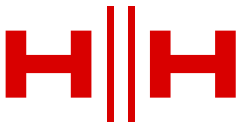
Specifications	The VRE-8AG2 offers a solution for users looking for a portable PA speaker for small events, announcements, small bands, education and more. With the integrated microphone and instrument inputs, users can connect directly to the VRE-8AG2 without the need for an external mixing console. The on-board media player enables audio playback via USB, SD card and Bluetooth enabled devices such as mobile phones. With 300 watts of power output, the VRE-8AG2 can project to audiences up to 100 people. Thanks to true wireless speaker pairing technology, two VRE-8AG2 speakers can be linked wirelessly.
Model	VRE-8A
Description	VECTOR by HH VRE-8AG2 - Active moulded speaker with Bluetooth - 300W - 8 inch LF + 1 inch CD
Features	
Power Rating	300W Peak
Amplifier Type	Class A/B
Power Supply	Linear Toroidal PSU - Switchable Voltage
Inputs	1x balanced XLR 1x 6.3mm single ended jack inputs, 1x 3.5mm stereo jack in, Media player with Bluetooth 5.0, USB and SD card
Outputs	Balanced 6.3mm Jack mix out.
Controls	CH1,2 Gain controls, Master Volume
Speaker	
HF Driver	1" Compression Driver
LF Driver	8" Woofer
Coverage	90°H X 40°V
Enclosure	
Cabinet	Robust polypropylene cabinet with two handles and monitor angle
Finish	Black
Grille	Powdercoated steel, Black with acoustic foam backing
Other	35mm Distance Pole Socket
Unit dimensions (HWD)	39 x 25.5 x 19.5 CM 15.4" x 10" x 7.7"
Unit weight	5Kg, 11 lbs
Carton dimensions (HWD)	45.5 x 30 x 25.3 CM 17.9" x 11.8" x 10", 0.035 M3
Packed weight	6.5Kg, 14.3 lbs
EAN Code	5060109456783



For additional information, 2D and 3D drawings files, please check www.hhelectronics.com

1 Measured in Full space (4m) conditions
 2 Calculated maximum SPL based on rated power handling
 3 AES standard, pink noise with 6 dB crest factor, free air.

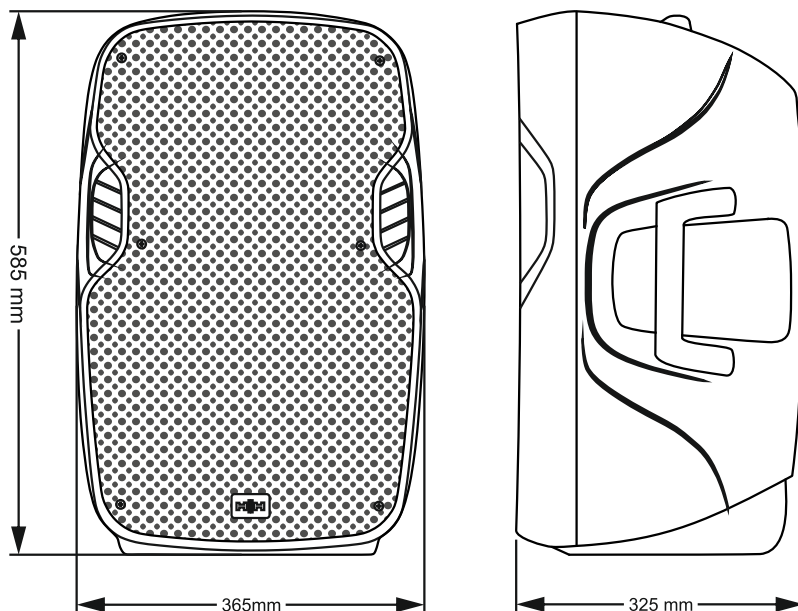




VRE SERIES, ACTIVE PA CABINET

VRE-12AG2

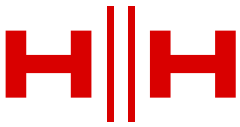
Specifications	The VRE-12AG2 is the ideal audio solution for bands, conference, fitness, education, audio playback, DJ and more. With the integrated 3 channel mixer and the ability to connect microphones directly, users can use the VRE-12AG2 without the need for an external mixing console. The on-board media player enables audio playback via USB, SD card and Bluetooth enabled devices such as mobile phones. With 800 watts of power output, the VRE-12AG2 can project to audiences up to 250 people. Thanks to true wireless speaker pairing technology, two VRE-12AG2 speakers can be linked wirelessly.
Model	VRE-12AG2
Description	VECTOR by HH VRE-12AG2 - Active moulded speaker with Bluetooth - 800W - 12 inch LF + 1 inch CD
Features	
Power Rating	800W Peak
Amplifier Type	Class A/B
Power Supply	Linear Toroidal PSU - Switchable Voltage
Inputs	2x balanced XLR with mic/line switch, 2x 6.3mm single ended jack inputs, 1x 3.5mm stereo jack in, Media player with Bluetooth 5.0, USB and SD card
Outputs	Balanced XLR mix out.
Controls	CH1,2,3 Gain Controls, Master 2 Band EQ, Master Volume
Speaker	
HF Driver	1" Compression Driver
LF Driver	12" Woofer
Coverage	90°H X 40°V
Enclosure	
Cabinet	Robust polypropylene cabinet with three handles and monitor angle
Finish	Black
Grille	Powdercoated steel, Black with acoustic foam backing
Other	35mm Distance Pole Socket
Unit dimensions (HWD)	58.5 x 36.5 x 32.5 CM 23" x 14.4" x 12.8"
Unit weight	10.3Kg, 22.7 lbs
Carton dimensions (HWD)	65.8 x 43.5 x 36 CM 25.9" x 17.1" x 14.2" , 0.103 M3
Packed weight	13Kg, 28.7 lbs
EAN Code	5060109456707



For additional information, 2D and 3D drawings files, please check www.hhelectronics.com

1 Measured in Full space (4m) conditions
 2 Calculated maximum SPL based on rated power handling
 3 AES standard, pink noise with 6 dB crest factor, free air.

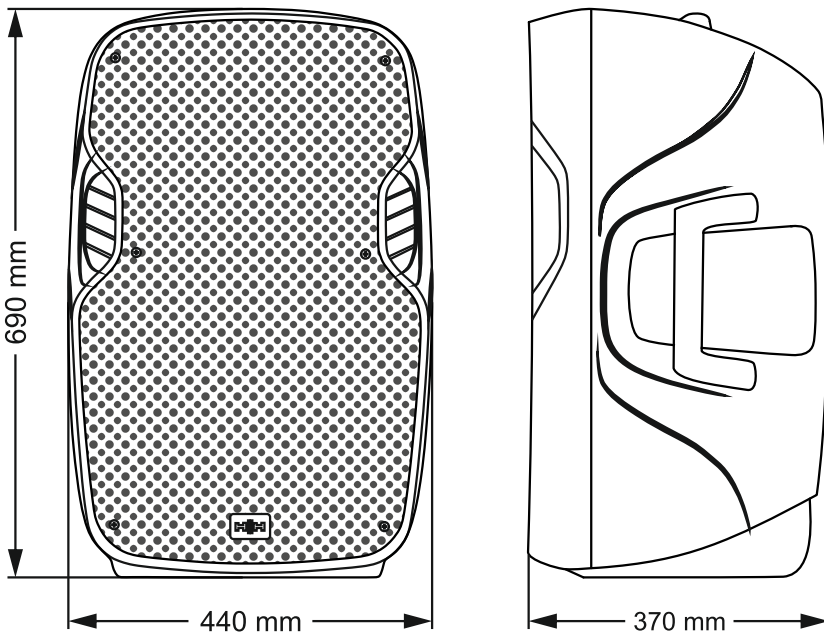




VRE SERIES, ACTIVE PA CABINET

VRE-15AG2

Specifications	The VRE-15AG2 is the ideal audio solution for bands, conference, announcements, education, fitness, DJ and more. With the integrated 3 channel mixer and the ability to connect microphones directly, users can use the VRE-15AG2 without the need for an external mixing console. The on-board media player enables audio playback via USB, SD card and bluetooth enabled devices such as mobile phones. With 800 watts of power output, the VRE-15AG2 can project to audiences up to 300 people. Thanks to true wireless speaker pairing technology, two VRE-15AG2 speakers can be linked wirelessly.
Model	VRE-15AG2
Description	VECTOR by HH VRE-15AG2 - Active moulded speaker with Bluetooth - 800W - 15 inch LF + 1 inch CD
Amplifier	
Power Rating	800W Peak
Amplifier Type	Class A/B
Power Supply	Linear Toroidal PSU - Switchable Voltage
Features	
Inputs	2x balanced XLR with mic/line switch, 2x 6.3mm single ended jack inputs, 1x 3.5mm stereo jack in, Media player with Bluetooth 5.0, USB and SD card
Outputs	Balanced XLR mix out.
Controls	CH1,2,3 Gain Controls, Master 2 Band EQ, Master Volume
Speaker	
HF Driver	1" Compression Driver
LF Driver	15" Woofer
Coverage	90°H X 40°V
Enclosure	
Cabinet	Robust polypropylene cabinet with three handles and monitor angle
Finish	Black
Grille	Powdercoated steel, Black with acoustic foam backing
Other	35mm Distance Pole Socket
Unit dimensions (HWD)	69 x 44 x 37 CM 27.2" x 17.3" x 14.6"
Unit weight	13.5Kg, 29.8 lbs
Carton dimensions (HWD)	76.5 x 49.7 x 41 CM 30.1" x 19.6" x 16.1" , 0.156 M3
Packed weight	16.9Kg, 37.3 lbs
EAN Code	5060109456714

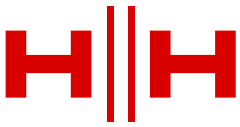


For additional information, 2D and 3D drawings files, please check www.hhelectronics.com

1 Measured in Full space (4m) conditions
 2 Calculated maximum SPL based on rated power handling
 3 AES standard, pink noise with 6 dB crest factor, free air.



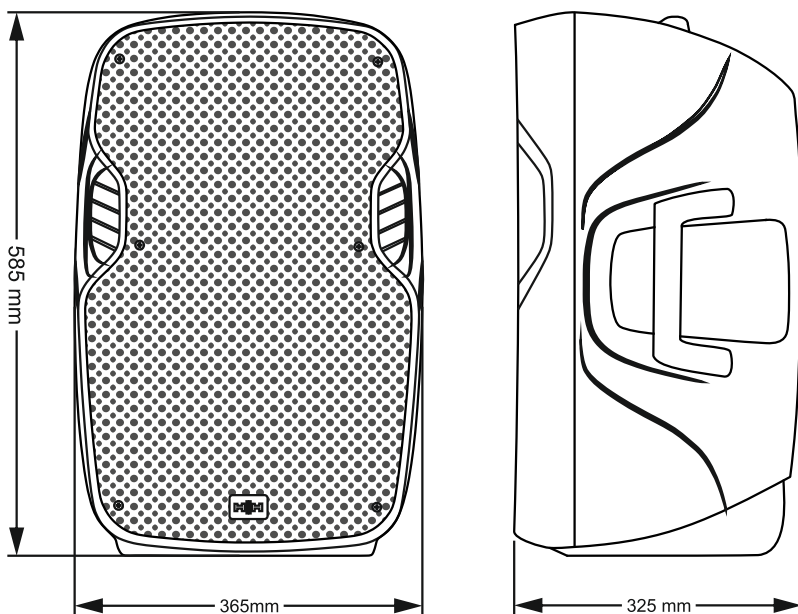
Designed and Engineered in the UK by HH Electronics LTD.



VRE SERIES, PASSIVE PA CABINET

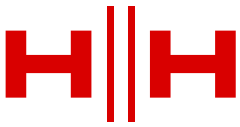
VRE-12G2

Specifications	The Vector VRE-12G2 is the ideal audio solution for users requiring a passive speaker system. With a power rating of 800W, the VRE-12G2 offers plenty of headroom when connected to a power amplifier. The twist lock input/output sockets ensure that cables are held securely when connected. All enclosed within a lightweight ABS moulded enclosure with 3 carry handles and 35mm pole stand socket.
Model	VRE-12G2
Description	VECTOR by HH VRE-12G2 - Passive moulded speaker - 800W - 12 inch LF + 1 inch CD
Power Rating	200W RMS, 800W Peak
Impedance	8 ohm
HF Driver	1" Compression Driver
LF Driver	12" Woofer
Sensitivity (1W/1M)	96
Coverage	90°H X 40°V
Enclosure	
Cabinet	Robust polypropylene cabinet with three handles and monitor angle
Finish	Black
Grille	Powdercoated steel, Black with acoustic foam backing
Other	35mm Distance Pole Socket Socket
Unit dimensions (HWD)	58.5 x 36.5 x 32.5 CM 23" x 14.4" x 12.8"
Unit weight	8.3Kg, 18.3 lbs
Carton dimensions (HWD)	65.8 x 43.5 x 36 CM 25.9" x 17.1" x 14.2", 0.103 M3
Packed weight	11Kg, 24.3 lbs
EAN Code	5060109456820



1 Measured in Full space (4m) conditions
 2 Calculated maximum SPL based on rated power handling
 3 AES standard, pink noise with 6 dB crest factor, free air.

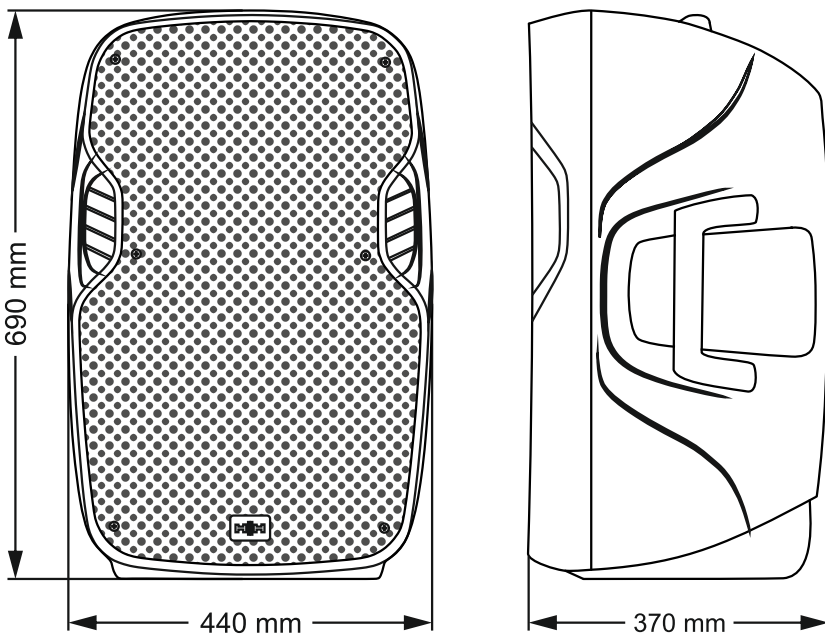




VRE SERIES, PASSIVE PA CABINET

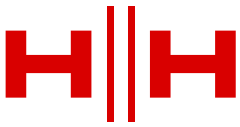
VRE-15G2

Specifications	The Vector VRE-15G2 is the ideal audio solution for users requiring a passive speaker system. With a power rating of 800W, the VRE-15G2 offers plenty of headroom when connected to a power amplifier. The twist lock input/output sockets ensure that cables are held securely when connected. All enclosed within a lightweight ABS moulded enclosure with 3 carry handles and 35mm pole stand socket.
Model	VRE-15G2
Description	VECTOR by HH VRE-15G2 - Passive moulded speaker - 800W - 15 inch LF + 1 inch CD
Power Rating	200W RMS, 800W Peak
Impedance	8 ohm
HF Driver	1" Compression Driver
LF Driver	15" Woofer
Sensitivity (1W/1M)	97
Coverage	90°H X 40°V
Enclosure	
Cabinet	Robust polypropylene cabinet with three handles and monitor angle
Finish	Black
Grille	Powdercoated steel, Black with acoustic foam backing
Other	35mm Distance Pole Socket
Unit dimensions (HWD)	69 x 44 x 37 CM 27.2" x 17.3" x 14.6"
Unit weight	11.5Kg, 25.4 lbs
Carton dimensions (HWD)	76.5 x 49.7 x 41 CM 30.1" x 19.6" x 16.1" , 0.156 M3
Packed weight	14.9Kg, 32.8 lbs
EAN Code	5060109456837



1 Measured in Full space (4π) conditions
 2 Calculated maximum SPL based on rated power handling
 3 AES standard, pink noise with 6 dB crest factor, free air.





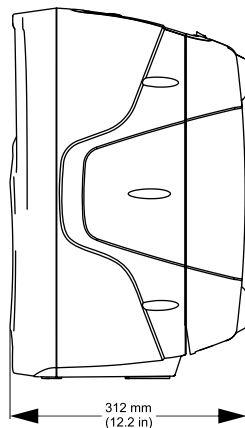
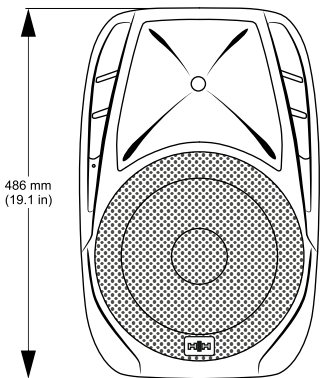
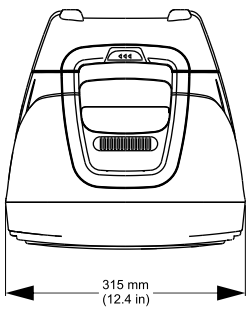
VRC SERIES, ACTIVE PA MIXER CABINET

VRC-210

Description	The VRC-210 portable PA system offers an ideal solution for bands, conference, DJ, fitness, education and more. With its lightweight 10" enclosures, the VRC-210 allows for easy transportation and quick and simple setup. The integrated 6 channel mixer enables multiple instruments and microphones to be connected and mixed simultaneously. The integrated 16 digital effects ensure that your vocals or instruments have depth to their sound. The on-board media player includes USB, SD card and Bluetooth inputs, ensuring that music or backing tracks can be easily played through the system. The VRC-210 offers many solutions within one affordable, lightweight and portable package.
Model	VRC-210
Description	VECTOR by HH VRC-210 - Portable PA Combination System - 2x500W - 6 channel mixer with Bluetooth and DSP
Amplifier	
Power Rating	2x 500W Peak
Amplifier Type	Class D
Power Supply	SMPS (100-120 or 220-240 fixed)
Features	
Inputs	4x balanced Combi XLR/Jack with mic/line switch, 2x 6.3mm single ended jack inputs, 2x RCA inputs, Media player with Bluetooth 5.0, USB and SD card
Outputs	RCA mix out. 2x 6.3mm Jack speaker outputs
Controls	CH1-4 gain, 2 band eq, effect send, mic/line switch, CH5-6 gain, Master 16 digital effect section with level, Master 2 band eq, master volume, Phantom power.
Speaker	
HF Driver	1" Compression Driver
LF Driver	10" Woofer
Coverage	90°H X 40°V
Enclosure	
Cabinet	Robust polypropylene cabinet with carry handle
Finish	Black
Grille	Powdercoated steel
Other	35mm Distance Pole Socket
Unit dimensions (HWD)	49 x 31.5 x 31.2 CM 19.3" x 12.4" x 12.3"
Unit weight	18.7Kg, 41.2 lbs
Carton dimensions (HWD)	55.5 x 63.5 x 36.5 CM 21.9" x 25" x 14.4" , 0.129 M3
Packed weight	19.5Kg, 43 lbs
EAN Code	5060109456738



UNOFFICIAL PHOTOGRAPHY



1 Measured in Full space (4m) conditions
 2 Calculated maximum SPL based on rated power handling
 3 AES standard, pink noise with 6 dB crest factor, free air.

