

AUDIO ZONE CONTROLLER PRE-AMPLIFIER

MZ-SERIES INSTALLATION

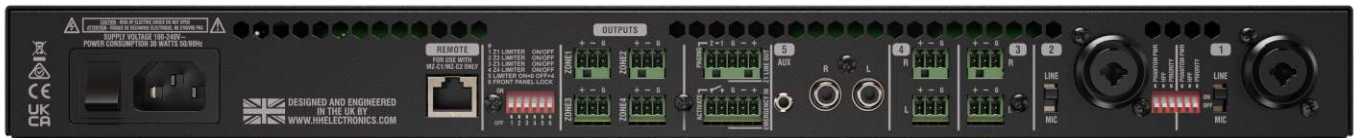
MZ-64P

FEATURES

- 4 Zone Pre-Amplifier
- 5 comprehensive audio input channels
- Independent Bass and Treble EQ adjustment on each zone
- Compact space saving 1U design (Rack Mountable)
- Universal ~100-240V worldwide operation
- Remote volume control capability

APPLICATIONS

- Bars And Clubs
- Live Sound Reinforcement
- Ballrooms
- Worship
- Corporate AV events
- Cafes
- Retail
- Fitness

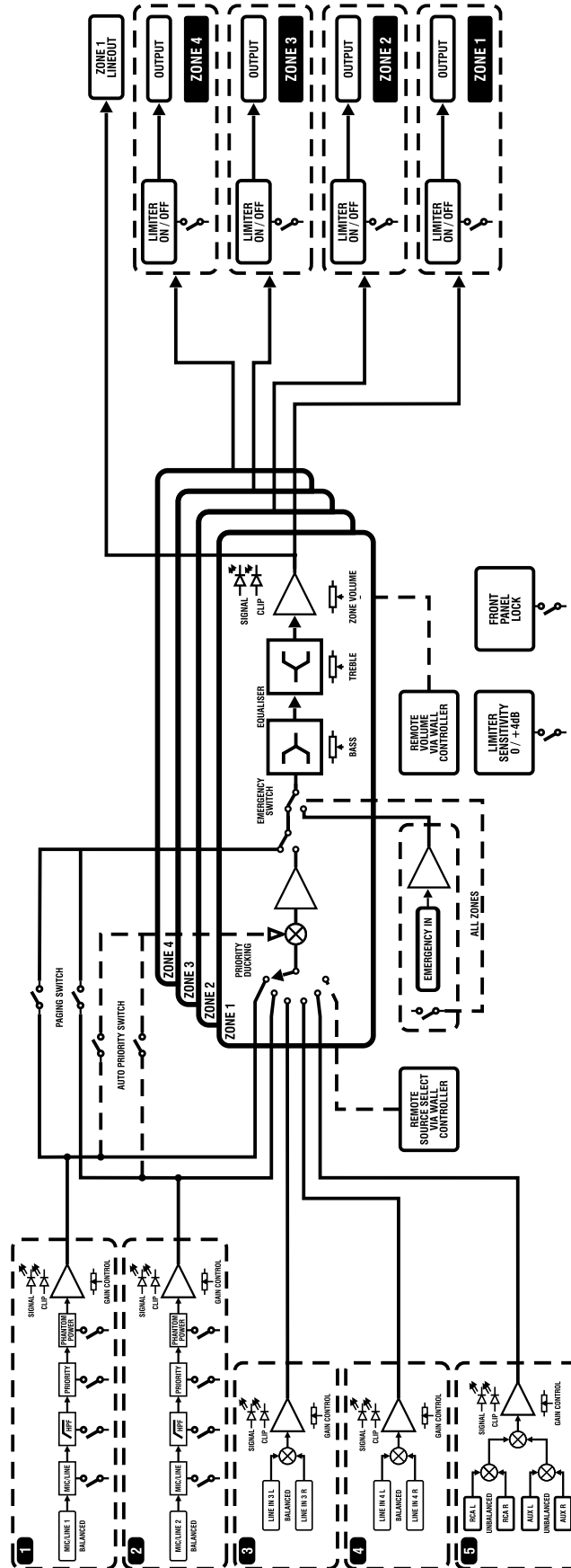


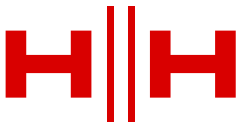
Model	MZ-64P
System type	Zone Pre-Amplifier with Input Routing
Specifications	
Input Channels	5
Output Channels	4
Output Limiter	Yes (0dBu/+4dBu/Off)
Frequency response	20-20KHz ±0.1dBu
Input Channel 1 & 2	Balanced XLR & 6.3mm Jack Combi Socket. Mic/line modes, Auto Priority (ducks the other channels by 20dBu) and 120Hz Hipass Filter
Phantom Power	+15VDC
Input 3 & 4	L & R balanced euro block inputs per channel
Input 5	3.5mm stereo aux in and stereo RCA socket.
Emergency Input System Override	Balanced 3.5mm Euroblock connector for integration with fire systems, overriding the normal inputs and master volume controls.
Input Sensitivity CH1 & 2	Mic 40dBu, Line 0dBu Nominal, ±20dBu with Input gain sensitivity adjustment.
Input Sensitivity CH3/4/5	0dBu Nominal, ±20dBu with Input gain sensitivity adjustment.
Input Sensitivity Emergency In	0dBu Nominal
Maximum Outputs (Line levels)	+21dBu
Input Impedance	Mic Input: 220Ω, Line In: 20KΩ, Aux In: 10KΩ
THD+N	< 0.008% @ 0dBu in, maximum volume <0.005% @ +6dBu in, maximum volume
Crosstalk	< -105dB crosstalk between channels, maximum volume
Noise Floor (A-weighted)	< -90dBu
SNR (A-weighted)	>110dB
Cooling	Fanless Design
Output Connectors (Amplifier)	3.5mm Euroblock connectors per Zone
Output Connectors (Other)	Balanced 3.5mm Euro Connector, follows Zone 1 Volume (For System Expansion)
Controls	All inputs feature front panel mounted input sensitivity gain controls with signal detect and peak level indicators. Each input contains gain level controls, each zone contains Source select, Bass, Treble and master volume controls. Rear panel includes front panel lock, power saving options, and zone amplifier mode options
EQ	Bass 250Hz Shelving Control, ±12dB per zone. Treble 2kHz Shelving Control, ±12dB per zone
Indicators	Power/Standby, all channels feature signal present and peak LEDs, Zone outputs feature limiter clip LEDs
AC Power	Universal AC 100-240V~ 50/60HZ
Power Consumption	Typical < 8W, Maximum < 30W
Dimensions	
Unit dimensions (HWD)	44 x 483 x 198 mm, (1.7" x 19" x 7.8")
Net Weight	2.3Kg, 5.1 lbs
Carton dimensions (HWD)	150 x 630 x 290 mm, (5.9" x 24.8" x 11.4") (0.027 M3)
Gross Weight	3.8Kg, 8.4 lbs
Accessories	Rack Mounting Kit included. 4x 3.5mm 3 way, 2x 3.5mm 5 way, 1x 5.08mm 6 way Euro Plugs included
	Optional MZ-C1, MZ-C2 wall controllers
EAN13	5060109458251





BLOCK DIAGRAM





DIMENSIONS

