

# AUDIO ZONE AMPLIFIER

# MZ-SERIES INSTALLATION

## MZ-280Q

### FEATURES

- 4x 280 Watts RMS Power output
- 4 Assignable Zones
- 70V/100V or Min 4 Ohm Impedance Speaker Outputs (Configurable per zone)
- 5 comprehensive audio input channels
- Independent Bass and Treble EQ adjustment on each zone
- Compact 1U 19 inch rack mountable
- Universal ~100-240V worldwide operation
- Remote volume control capability

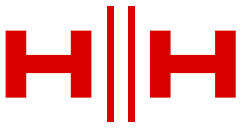
### APPLICATIONS

- Bars And Clubs
- Live Sound Reinforcement
- Ballrooms
- Worship
- Corporate AV events
- Cafes
- Retail
- Fitness

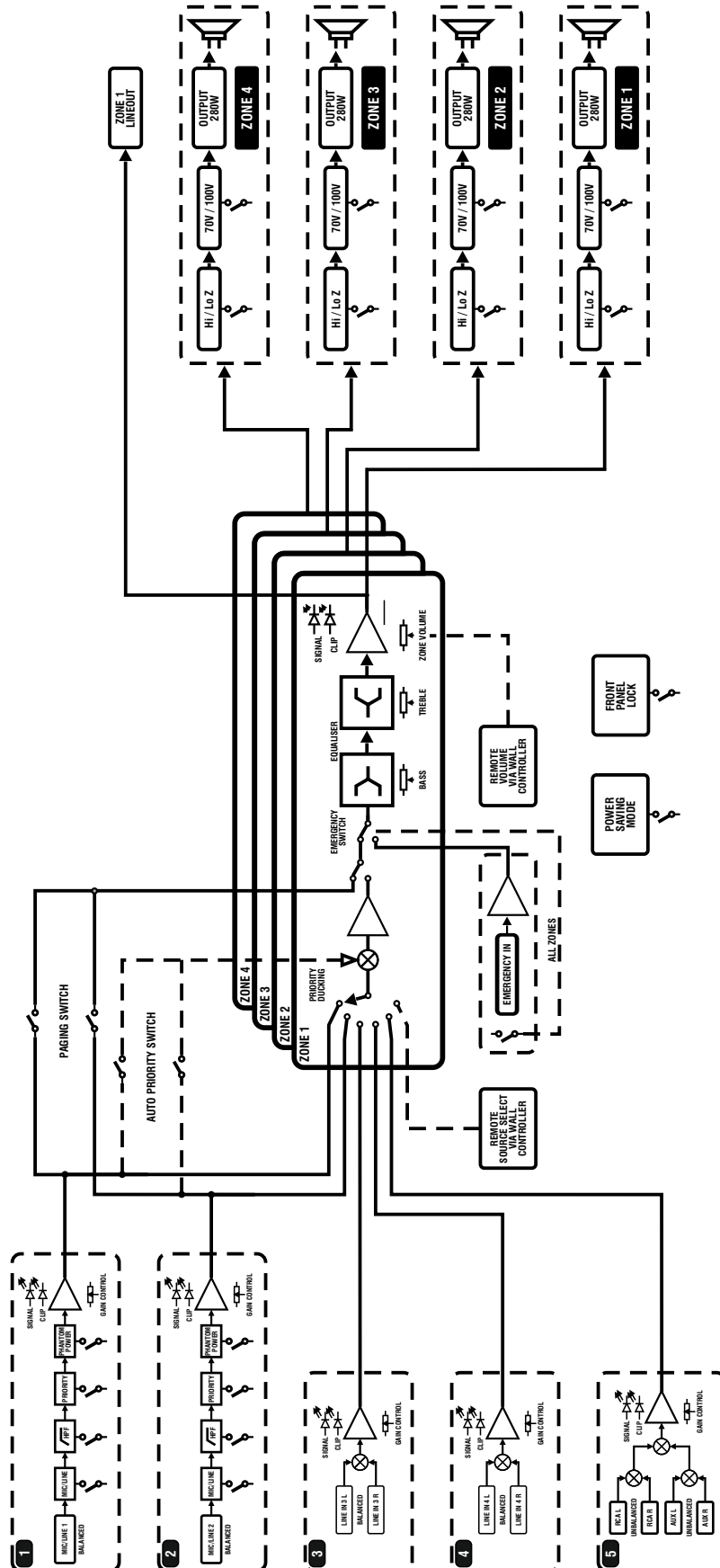


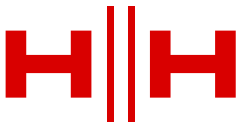
Model	MZ-280Q
System type	Zone Power Amplifier with Input Routing
<b>Specifications</b>	
Input Channels	5
Output Channels	4
Power Per Output Channel	280W RMS* (Can direct drive 4 ohm, 8 ohm or 70/100V systems selectable per zone) 280W into 4 ohm. 250W into 8 ohm/70V/100V. (* 250W max when running at 120V mains Voltage)
Minimum Drive Impedance	4 ohm (8 ohm for 70V/100V modes)
Output Limiter	Yes
Frequency response	20-20KHz ±0.1dBu (LoZ Mode) 80-20KHz ±0.1dBu (HiZ Mode)
Input Channel 1 & 2	Balanced XLR & 6.3mm Jack Combi Socket. Mic/line modes, Auto Priority (ducks the other channels by 20dBu) and 120Hz Hipass Filter
Phantom Power	+15VDC
Input 3 & 4	L & R balanced 3.5mm euro block inputs per channel
Input 5	3.5mm stereo aux in and stereo RCA socket.
Emergency Input System Override	Balanced 3.5mm Euroblock connector for integration with fire systems, overriding the normal inputs and master volume controls.
Input Sensitivity CH1 & 2	Mic 40dBu, Line 0dBu Nominal, ±20dBu with Input gain sensitivity adjustment.
Input Sensitivity CH3/4/5	0dBu Nominal, ±20dBu with Input gain sensitivity adjustment.
Input Sensitivity Emergency In	0dBu Nominal
Maximum Outputs (Line levels)	+21dBu
Input Impedance	Mic Input: 220Ω, Line In: 20KΩ, Aux In: 10KΩ
THD+N	<0.01% @ 0dBu in, mid volume <0.008% @ +6dBu in, maximum volume
Crosstalk	< -95dB crosstalk between channels, maximum volume
Noise Floor (A-weighted)	< -70dBu (unmuted) < -110dBu (muted)
SNR (A-weighted)	>110dB
Cooling	Two thermally controlled 40x20mm Low noise brushless dual bearing fans for reliable performance in high ambient temperatures.
Output Connectors (Amplifier)	5.08mm Euroblock connectors per Zone
Output Connectors (Other)	Balanced 3.5mm Euro Connector, follows Zone 1 Volume (For System Expansion)
Controls	All inputs feature front panel mounted input sensitivity gain controls with signal detect and peak level indicators. Each input contains gain level controls, each zone contains Source select, Bass, Treble and master volume controls. Rear panel includes front panel lock and zone amplifier mode options
EQ	Bass 250Hz Shelving Control, ±12dB per zone. Treble 2kHz Shelving Control, ±12dB per zone
Indicators	Power/Standby, all channels feature signal present and peak LEDs, Zone outputs feature power amp clip LEDs
AC Power	Universal AC 100-240V~ 50/60HZ
Power Consumption	30W Idle, 300W Typical, 650W Max, 0.2W Standby
Standby Modes	Individual channel standby and power saving mode, both with signal override. Energy Star & ErP 1275/2008/EC Compliant.
<b>Dimensions</b>	
Unit dimensions (HWD)	44 x 483 x 417 mm, (1.7" x 19" x 16.4")
Net Weight	4.9Kg, 10.8 lbs
Carton dimensions (HWD)	150 x 630 x 510 mm, (5.9" x 24.8" x 20.1") (0.048 M3)
Gross Weight	7.6Kg, 16.8 lbs
<b>Accessories</b>	
Rack Mounting Kit included. 4x 3.5mm 3 way, 2x 3.5mm 5 way, 1x 5.08mm 6 way Euro Plugs included	
Optional MZ-C1, MZ-C2 wall controllers	
EAN13	5060109458244





BLOCK DIAGRAM

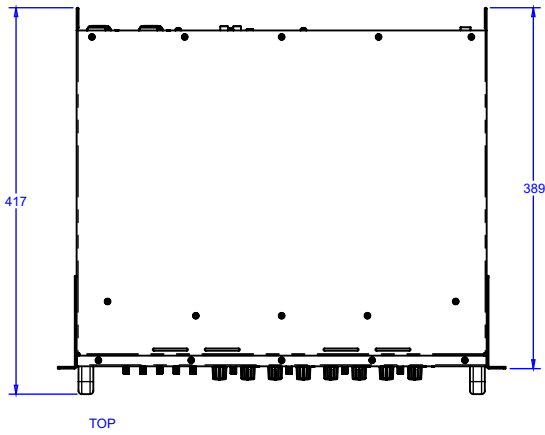
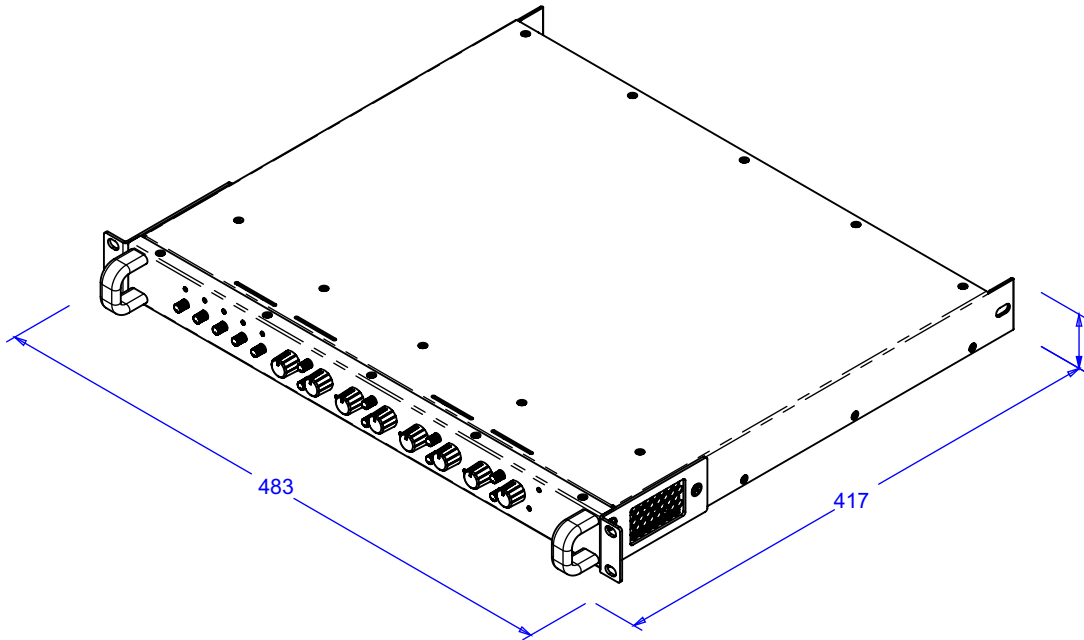




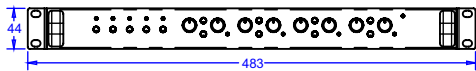
AUDIO ZONE AMPLIFIER

MZ-SERIES  
INSTALLATION

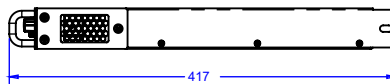
DIMENSIONS



TOP



FRONT



RIGHT



REAR

