

The BS-678, of which cabinet is made of wood, can be installed in a vertical or horizontal orientation. Either concealed in-wall wiring or exposed wiring can be used for speaker cable connection. The speaker structure that permits direct wall-mounting with screws prevents the speaker from falling easily even if an outward force is applied to. The input impedance can be easily changed by changing the tap position of the transformer. The built-in 6-inch double cone speaker unit delivers a high quality sound. The push-in type input connector makes cable connections easy and allows bridge wiring.

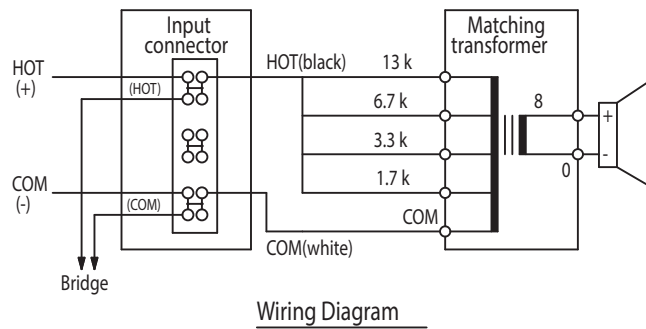
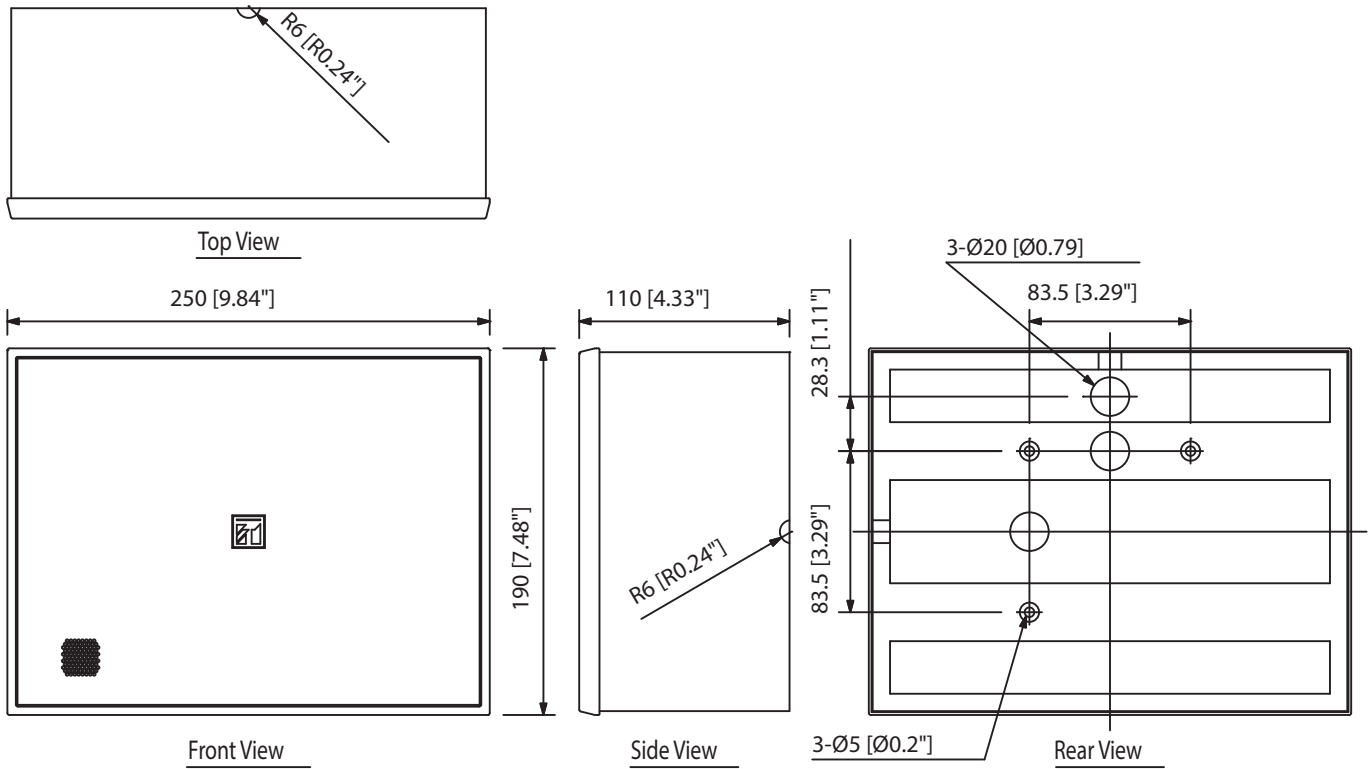


Article number:BS-678  
Alternative products: BS-678B, BS-678BT,  
BS-678T, BS-680F

### Specifications

Dimensions (W x H x D)	250 x 190 x 110 mm
Dimensions (ø x D)	x 110 mm
Finish	MDF, off-white (RAL 9010 or equivalent),
Operating temperature	-10°C to +50°C

Appearance



UNIT:mm

SCALE:1/4