

QUICK-START GUIDE

ADORN



Models covered in this quick-start guide:

ADORN A40, ADORN A40T, ADORN A55, ADORN A55T

Thank you for choosing Martin Audio's ADORN Series. If you would like further information about this or any other Martin Audio product, please visit our website www.martin-audio.com.

Unpacking

Every Martin Audio loudspeaker is built to the highest standard and thoroughly inspected before it leaves the factory. After unpacking the system, examine it carefully for any signs of transit damage and inform your dealer if any is found. It is suggested that you keep the original packaging so that the system can be repacked at a future date if necessary.

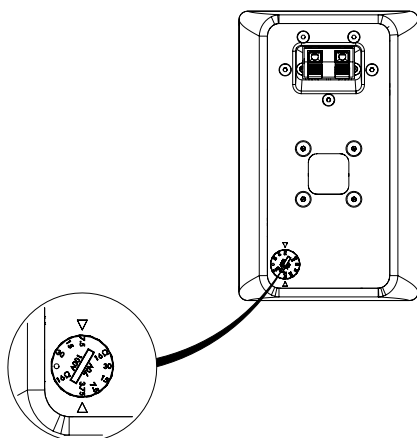
System Requirements

Low Impedance Systems

The ADORN A40 and A55 are designed to be used in a low impedance system. The A40T and A55T can also be used in a low impedance system by selecting the 16Ω position on the selector switch on the back of the speaker. A conventional power amplifier or mixer-amplifier designed for use with low impedance loads must be used. We recommend an amplifier that can deliver the full peak power rating without risk of clipping to ensure the best possible performance and to avoid damage. The Martin Audio VIA amplifier range are a good match for the ADORN Series. Performance can be further maintained by using a good quality system processor in particular to introduce a system protection limiter. The Martin Audio DX0.5 is recommended for use with the ADORN Series.

70/100V Line Systems

The ADORN A40T and A55T can be used in a 70 or 100V line system. An amplifier designed for driving distributed line system must be used. The appropriate tap must be selected using the rotary switch on the back of the speaker.



Ensure that the sum of all speaker taps does not exceed the amplifier's rated power output.

Adding Subwoofers

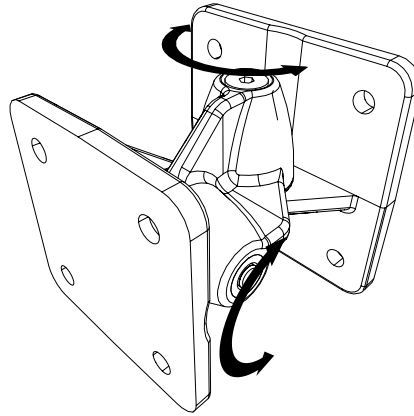
For full range music systems, a subwoofer may be added. We would recommend a speaker from the Martin Audio SX Series such as the SX110 which is a very compact single 10" subwoofer. This must be driven by another amplifier, for small low impedance systems the four channel VIA Series amplifiers VIA2504 or VIA5004 are an excellent option. A system controller will be required to act as a crossover between the subwoofer and ADORN speakers. The DX0.5 is the recommended processor.

Connections

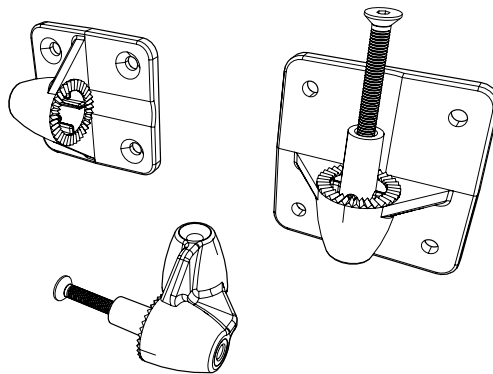
Connections are made to all ADORN Series speakers using simple spring-loaded push terminals. Strip approximately 10mm of insulation from the ends of your speaker cables, twist stranded cable or use crimped bootlace ferrule on the ends. Depress the push lever, insert the cables into the hole and release the lever. Positive, '+' connections should be made to the red terminal, negative, '-' connections should go to the black terminal. If "daisy-chaining" connections to several speakers, either twist two wires together prior to inserting in the terminal or insert two wires together.

Wall Mounting

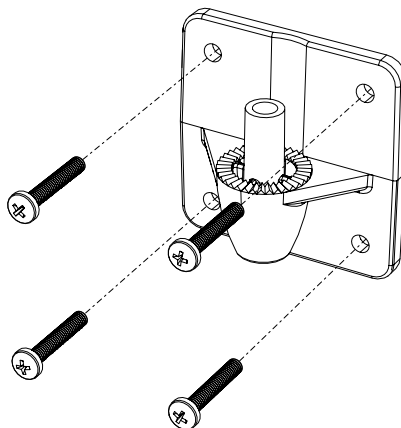
Wall brackets are supplied with all models. The bracket is a three-part design which allows adjustment in both horizontal and vertical planes.



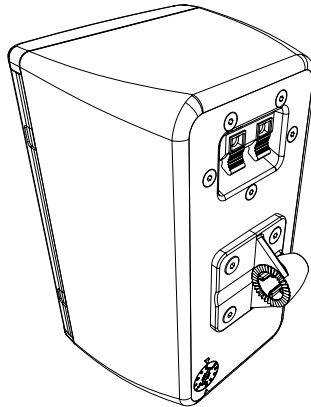
The first stage is to disassemble the bracket so that the cabinet half can be fitted to the speaker and the wall section attached to the wall. A 4mm allen key is required. If adjustment is only required in one plane, vertical or horizontal, the middle section can be removed. This has the added advantage that the speaker will be closer to the wall.



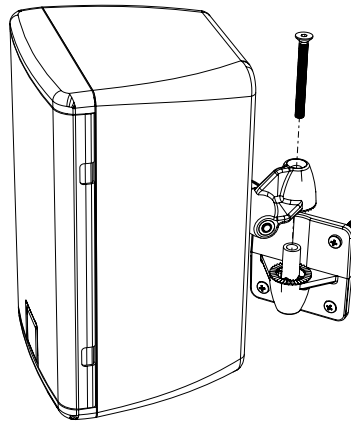
Fit the wall bracket in the appropriate orientation for horizontal or vertical adjustment. Fixings appropriate for the wall surface and weight of the cabinet must be used to ensure a safe and secure installation.



Fit the cabinet half of the bracket to the speaker using the four screws in the centre of the rear of the cabinet.



The cabinet can be fitted to the wall by linking the two halves of the bracket using the M4 allen head bolt.



Ceiling mount

An alternative option is to ceiling mount the ADORN speakers using the optional ceiling bracket part number CDDCB5.

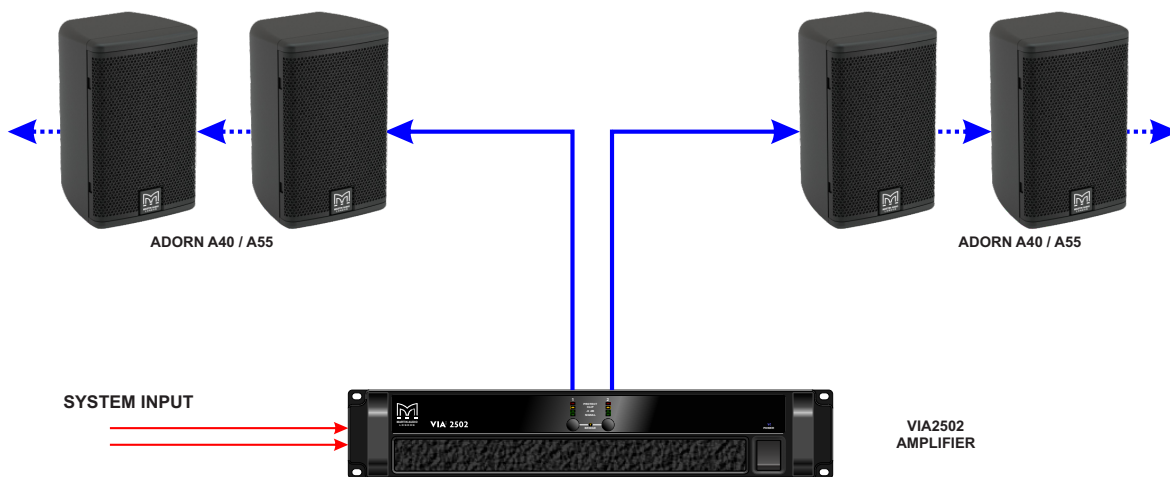
Accessories

ADORN COVER Waterproof connector cover

System Examples

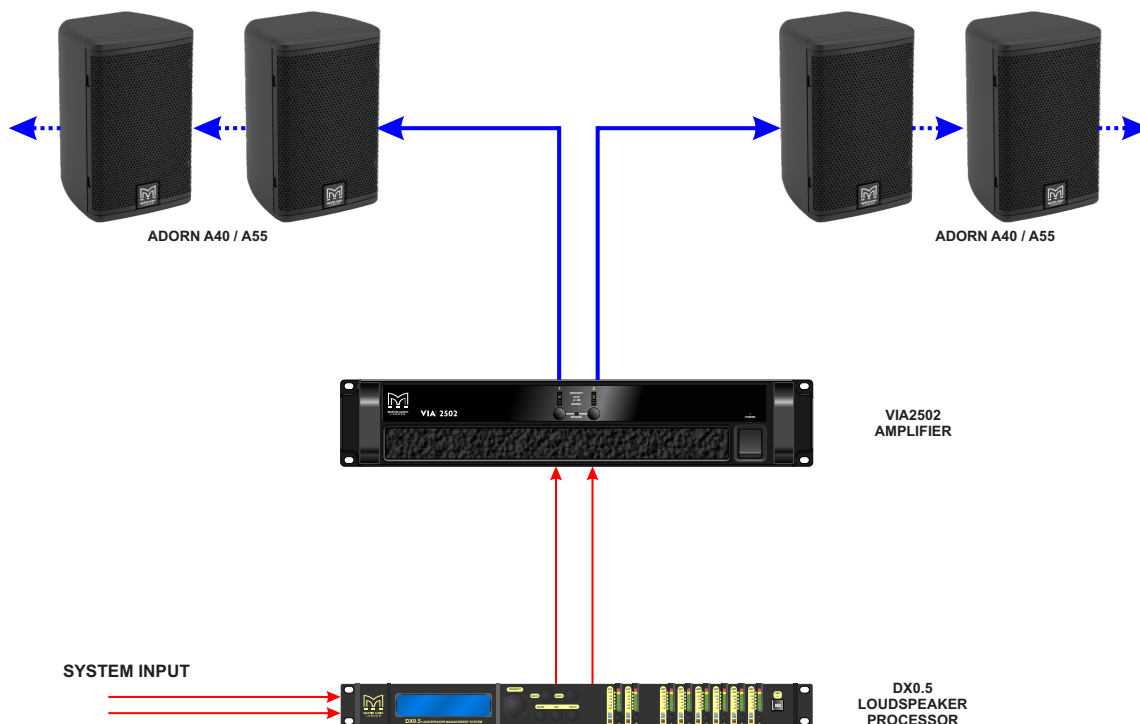
System 1 - A basic ADORN system

System input connected to a VIA2502 Amplifier. Up to four ADORN A40 or A55 speakers connected per channel. The speakers are wired in parallel by "daisy-chaining" speaker connections from each speakers' push terminal inputs.



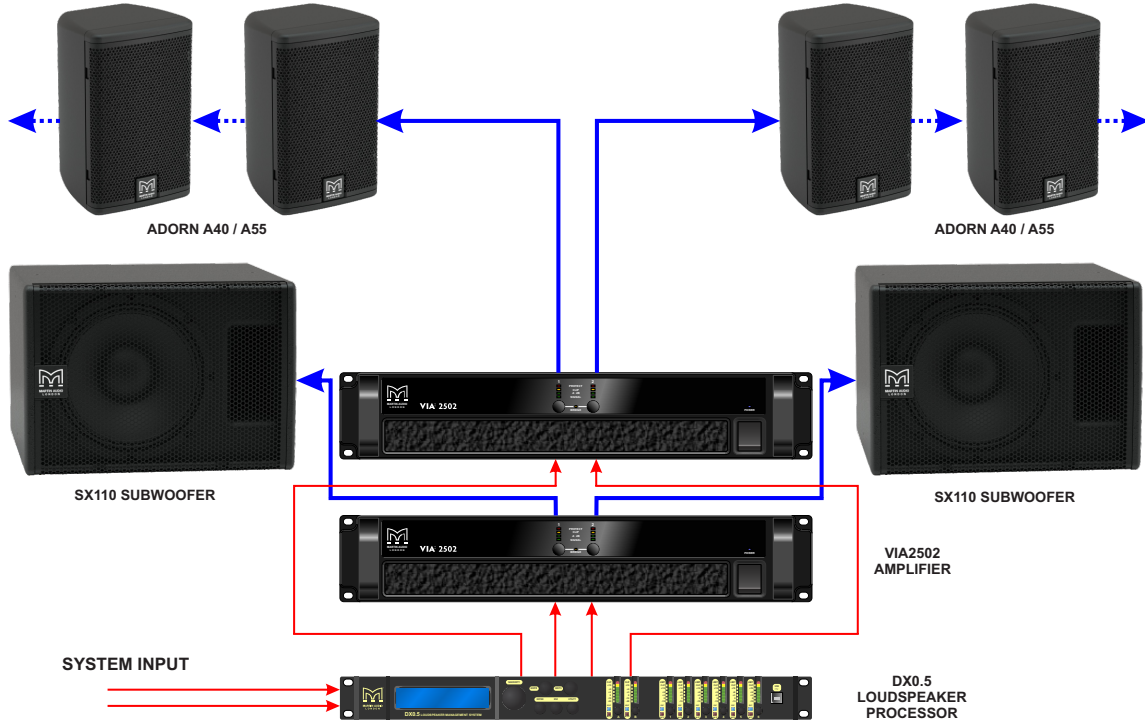
System 2 - Adding a DX0.5 system processor

System input is to the DX0.5, this adds system EQ and limiting to protect the system from abuse by over-driving. Two of the DX0.5 outputs are connected to the VIA2502 amplifier inputs. The VIA2502 is connected to the ADORN A40 or A55 speakers as in system 1.



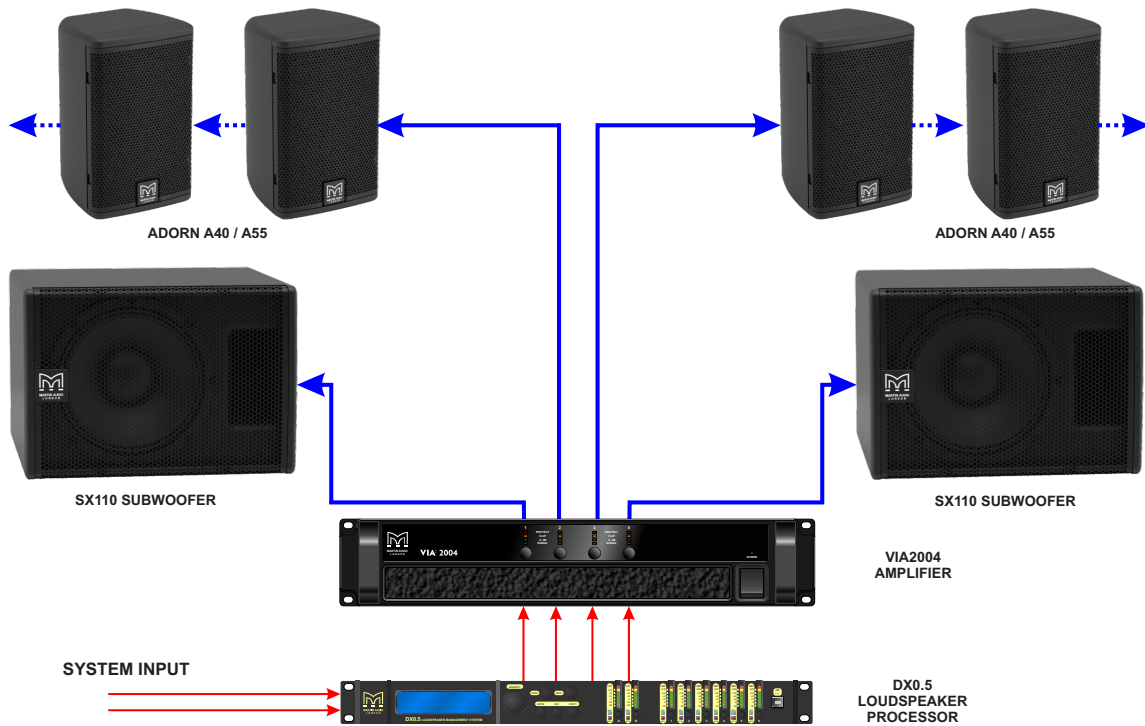
System 3 - Adding a subwoofer

System input is again to the DX0.5. An additional VIA2502 amplifier (or VIA5002 for more powerful subwoofers) is added to power a pair of SX100 subwoofers. This is routed from 1 or 2 outputs from the DX0.5 depending on whether a mono or stereo feed is required for the subs. Inputs and outputs to the VIA2502 driving the ADORN A50 or A55s is identical to the previous system.



System 4 - Using a 4-channel VIA amplifier

This system is identical to system 3 but uses VIA2004 four channel amplifier (or VIA5004 if a more powerful system is required) which makes for a more cost effective and compact solution than using separate amplifiers for driving the subwoofers and ADORN speakers.



Martin Audio Limited

Century Point

Halifax Road

Cressex Business Park

High Wycombe

Buckinghamshire

HP12 3SL

England

FOR SALES ENQUIRIES:

UK

Telephone: +44 (0)1494 535312

E-mail: info@martin-audio.com

NORTH AMERICA

Telephone: 818 649 7776

www.martin-audio.com

All information is Copyright © 2019 Martin Audio Ltd.

Martin Audio, the Martin Audio logo and Hybrid are registered trademarks of Martin Audio Ltd. in the United Kingdom, United States and other countries; all other Martin Audio trademarks are the property of Martin Audio Ltd.

