

INTUSCAPE 4FP40R

2-WAY 4" OUTDOOR BGM SPEAKER

CONCEPT

The INTUSCAPE™ 4FP40R is the most compact choice to bring background music to any venue's outdoor areas. Its one-shell design from impact-proof ABS resin with a recessed baffle insert provides superior protection against rain. A PP cone woofer and a silk dome tweeter likewise withstand the rigors of outdoor use. Nonetheless, the vented design and the controlled dispersion deliver a pristine sound quality. An internal line transformer with switchable load, a real crossover - not just a capacitor - and our unique cable gland cover as well as the ball head bracket complement the elegant looks of this speaker.

FEATURES

- ▶ 4" LF driver in vented enclosure
- ▶ 1" silk dome tweeter & wide-dispersion HF wave guide
- ▶ Advanced passive crossover for best sound quality
- ▶ Audio-grade internal 100V line transformer (20W max)
- ▶ Mode switch for 8Ω / 2.5W / 5W / 10W / 20W settings
- ▶ 4P-5.0mm terminal strip for input & parallel output
- ▶ ABS resin body with M6 safety lug mounting point
- ▶ Structured scratch-resistant surface, black or white
- ▶ Rustproof aluminum front grille
- ▶ Multi-angle ball head bracket with stainless steel rod
- ▶ Waterproof cable gland cover with 2 mounting angles
- ▶ CE/ROHS compliant

Protected against a solid object greater than 2.5mm such as a screwdriver

IP 33

Protected against sprays of water up to 60 degrees from the vertical



Black and White versions available

TECHNICAL DATA

Frequency response (-6 dB).....	80Hz-15.0kHz
Sensitivity (1W/1m) / Max SPL (8Ω).....	84dB / 101dB
Dispersion HxV.....	90° x 80°
Impedance.....	8Ω / 100V-2.5W/5W/10W/20W
Power Handling.....	30W (AES)
Drivers / Design.....	4.0" LF (vented) & 1" SDT
Material.....	ABS
Surface.....	Texture
IP Rating.....	33
Dimensions WxDxH.....	153x120x217mm
Weight.....	2.18 kg

LOGISTICS DATA

Order Number (black).....	1306601
Single unit EAN-13 (black).....	5060502923462
Order Number (white).....	1306611
Single unit EAN-13 (white).....	5060502923479
Single Carton size WxDxH.....	200x170x305mm
Single Carton gross weight.....	2.48 kg
Units per master carton.....	4
Master carton size WxDxH.....	415x355x325mm
Master carton gross weight.....	10.40 kg



Front View (grille removed)



Rear panel structure



Rear View



Side Profile

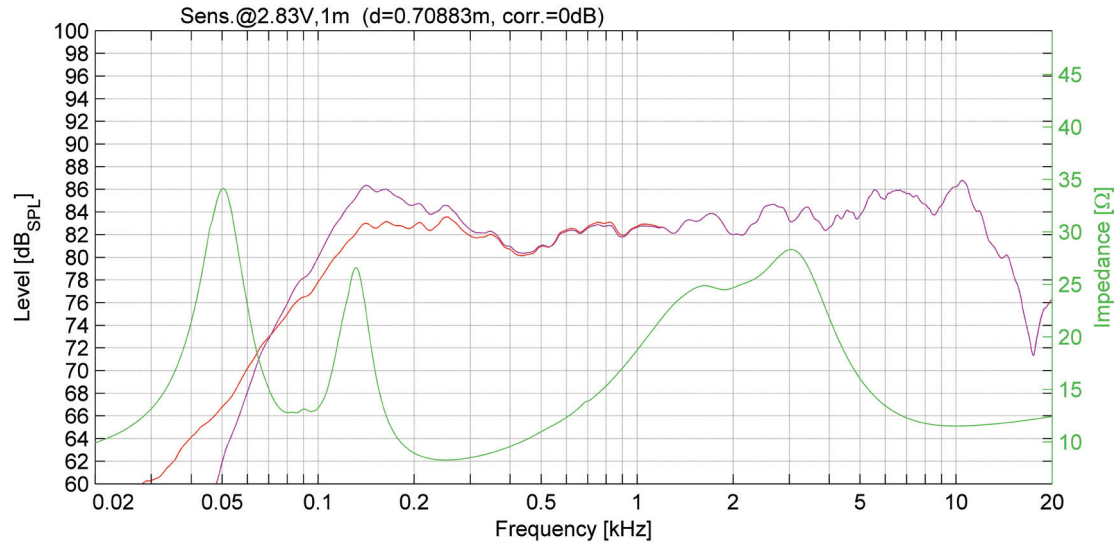
SPEAKER LOZ / HiZ

SPEAKER LOZ / HiZ

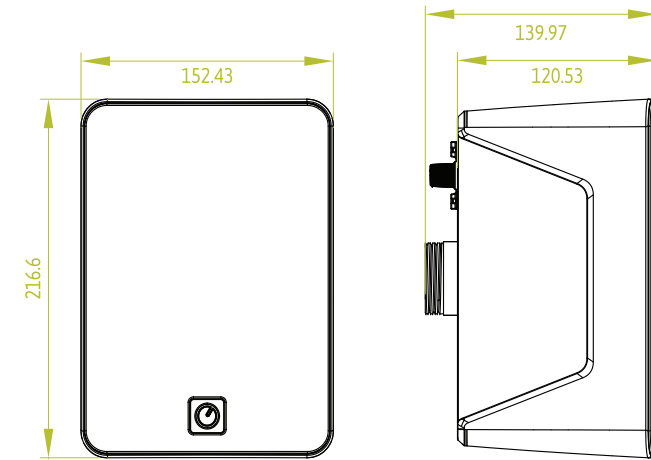
INTUSCAPE 4FP40R

2-WAY 4" OUTDOOR BGM SPEAKER

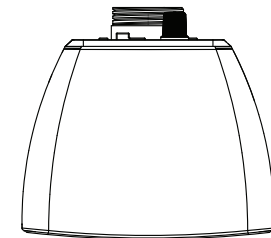
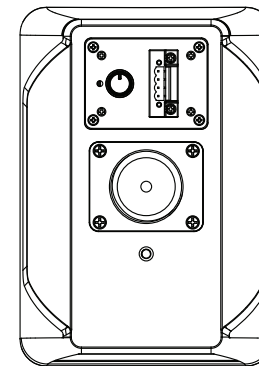
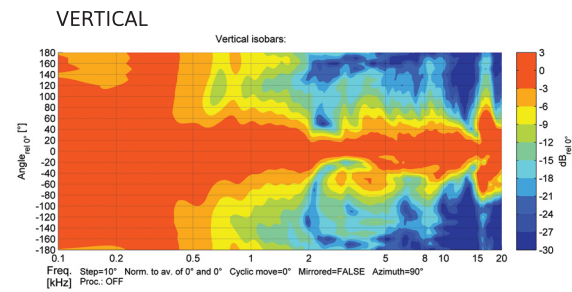
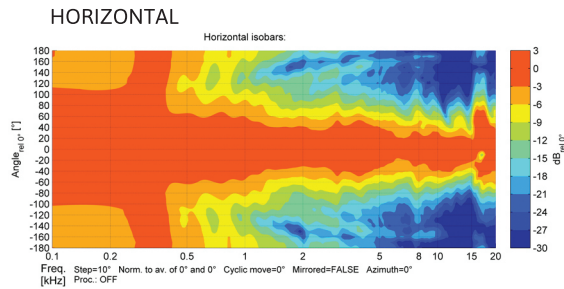
FREQUENCY RESPONSE



DIMENSIONS



DIRECTIVITY



SPEAKER LOZ / HIz

SPEAKER LOz / HIz