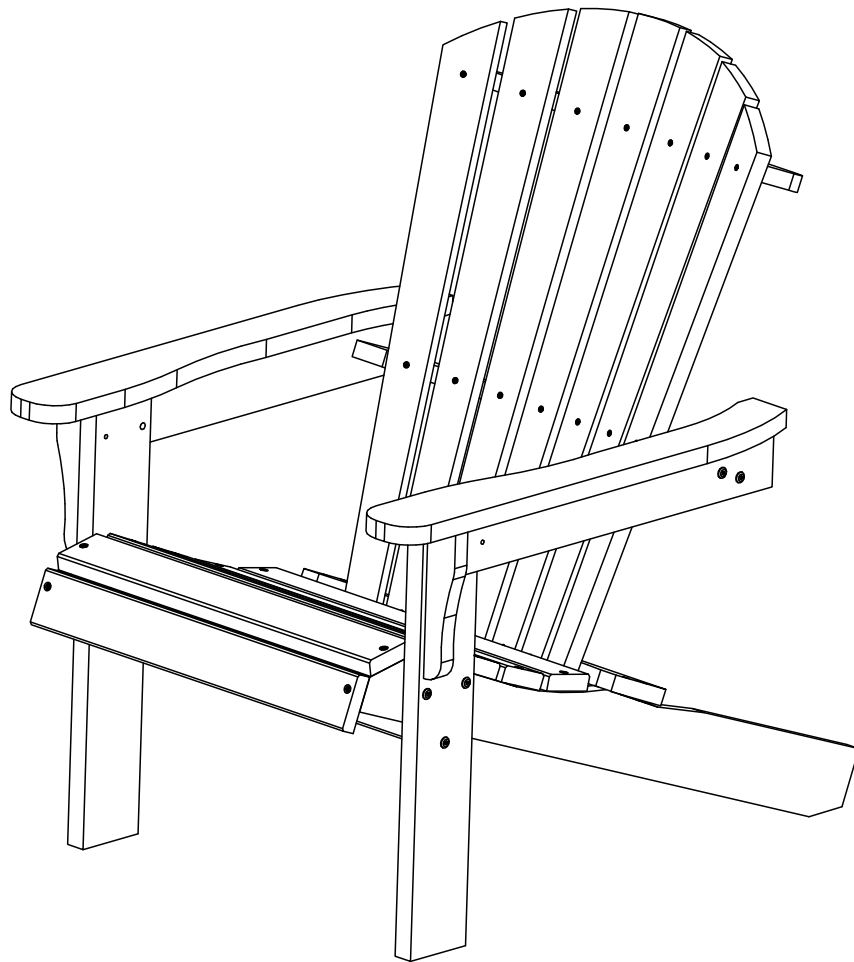


The
BEACH HOUSE
DESIGN

Assembly Instructions !!!



**Reclaimed Collection
Adirondack ArmChair**

What about your product:

- Solid PineWood from Planted Forests
- Made in Brazil

Assembly Recommendations:

- Pay close attention to the drawings, specially the side of each part.
- Mount on a clean flat surface, we suggest to cover your floor with the packing carton.
- To avoid damages, prefer to do not use eletric screwdriver.
- Do not use any sharp edge tool, it can scratch your new item.
- Perform the assembly calmly, rush may generate hits and dents.
- If you need a hammer to insert dowels or any other hardware, perform light hammers.
- And if you have any buddy close to you, ask for help. Team work is easier and Fun.

WARNING: Avoid the presence of children and pets during assembling, because the product contain small parts/hardware that can be swallowed.

Product Care

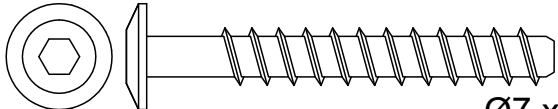
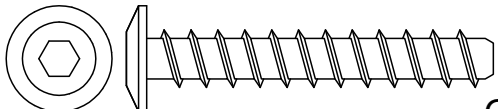
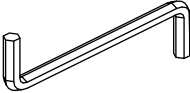
- Wood is a natural material and require especial care.
- As a natural material, it has some slightly size and color variations.
(e.g. wood grains, color tone, textures, small cracks & gaps)
- Every single details make it a single and exclusive unit.
- This item is intended for **indoor** use.
- Do not place it in direct sunlight or damp areas.
- Watch out of placing it in front of air conditioning vents or heaters.
- Avoid placing hot surfaces directly over the wood, it may stain, burn or damage its finishing.
- Sharp objects may damage wood.
- To move your piece ask for help, dragging it will damage the finishing and item structure, loose legs and side parts.
- Clean it with soft, clean & dry cloth.
- If you feel necessary use an appropriate furniture polish.
- Alcohol, perfume and other medicines can cause severe damage to the finishing.

If you need any assistance, please contact:
support@bhd-imports.com

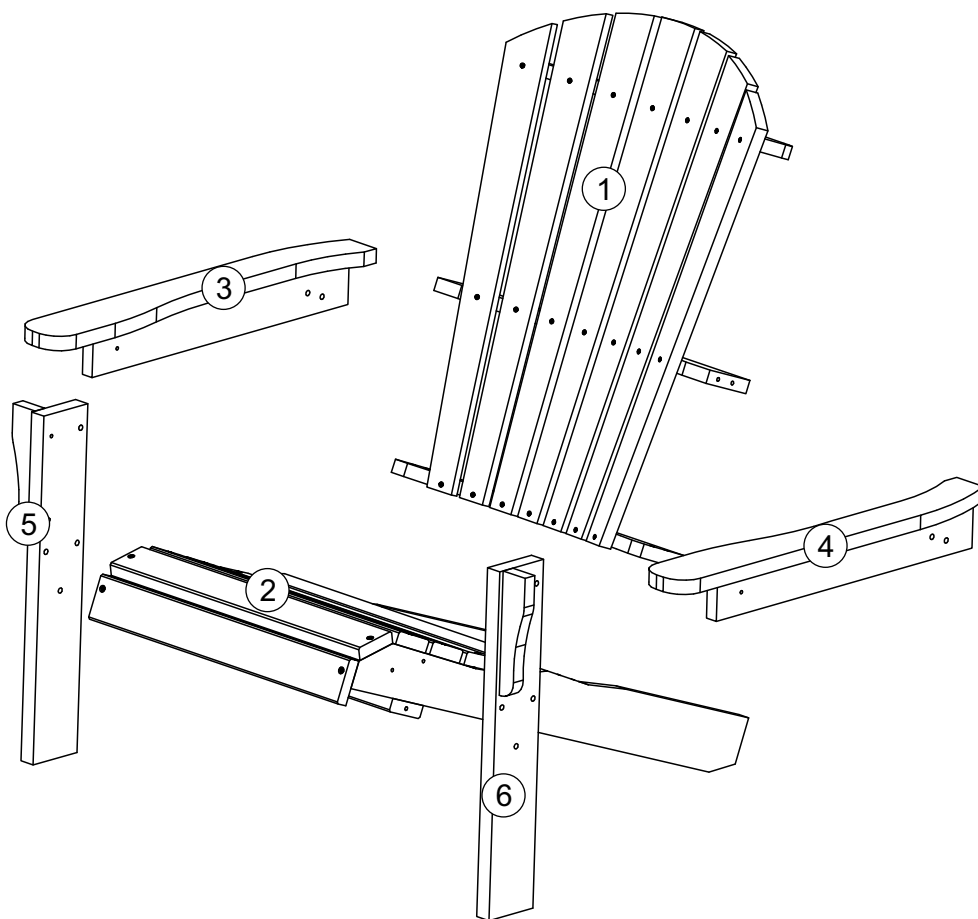
Distributed by
BHD Imports LLC
www.thebeachhousedesign.com

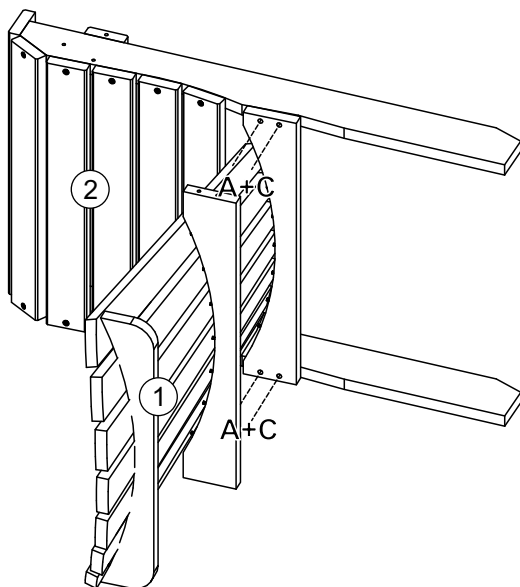
Have Fun !!



HARDWARE/ ACCESSORIES

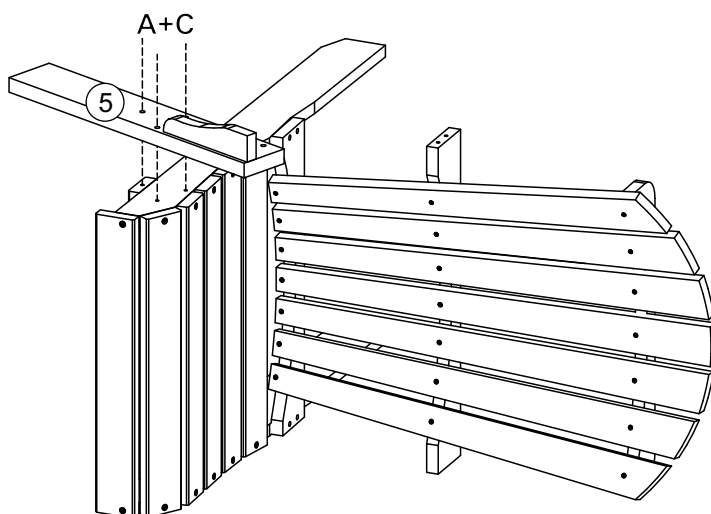
A	 Ø7 x 50 mm	14
B	 Ø7 x 40 mm	02
C	 Allen key	01



PRODUCT PARTS

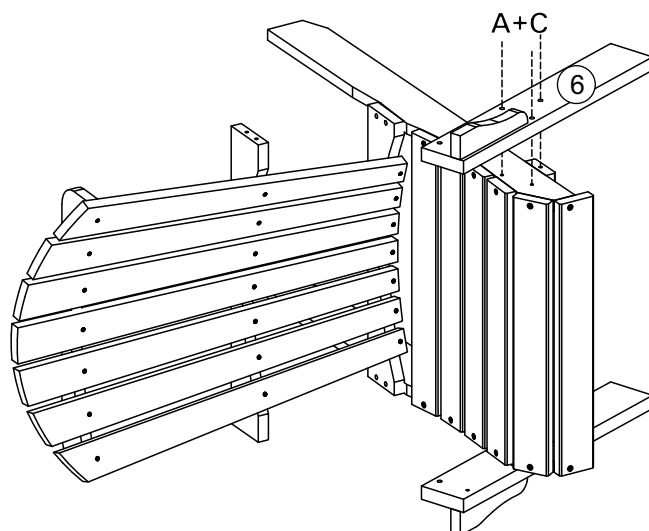




01

A	 $\text{\O}7 \times 50 \text{ mm}$	04
C	 Allen key	01

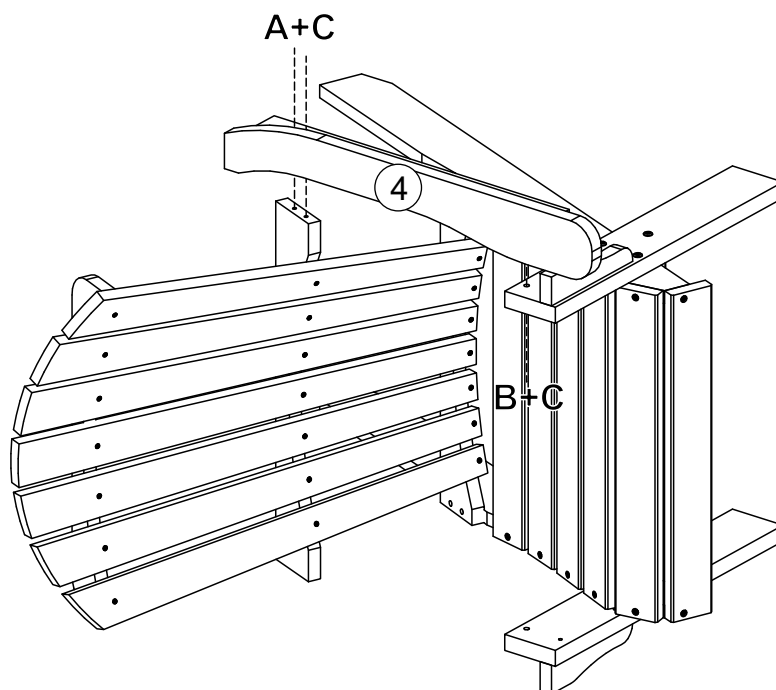
02




A	 $\text{\O}7 \times 50 \text{ mm}$	03
C	 Allen key	01

03

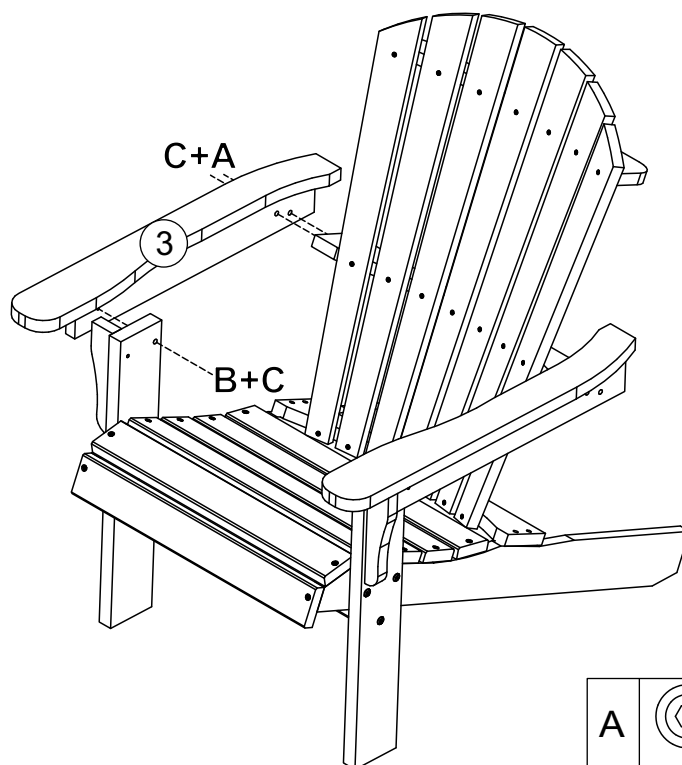
A	 $\text{\O}7 \times 50 \text{ mm}$	03
C	 Allen key	01




04



A		Ø7 x 50 mm	02
B		Ø7 x 40 mm	01
C		Allen key	01

05



A		Ø7 x 50 mm	02
B		Ø7 x 40 mm	01
C		Allen key	01