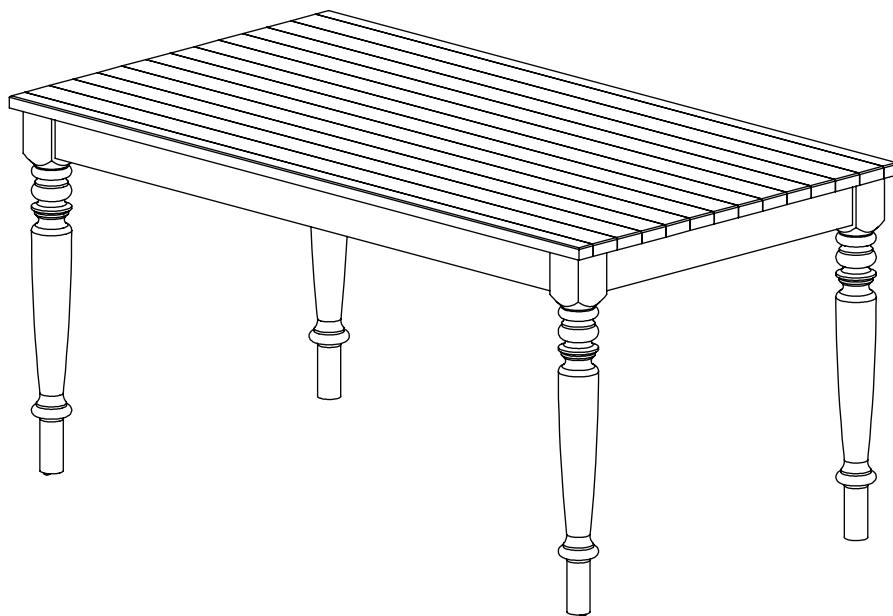
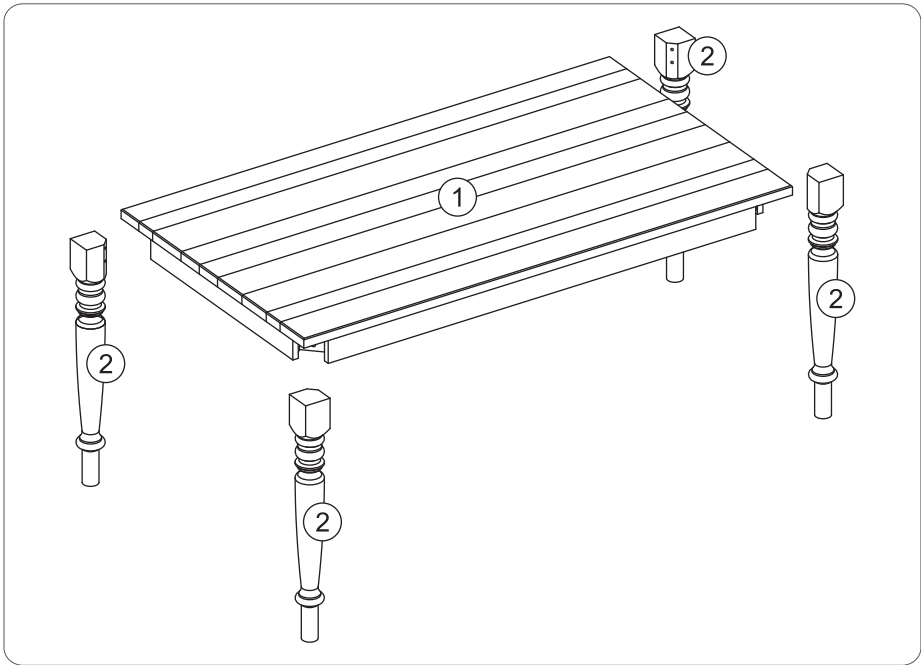


*The*  
**BEACH HOUSE**  
**DESIGN**

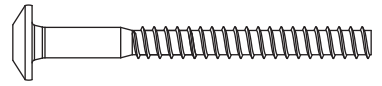
**Assembly Instructions !!!**



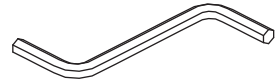
**SandRidge Collection**  
**Dining Table 63"**



## Fittings



A- (8x)



B- (1x)

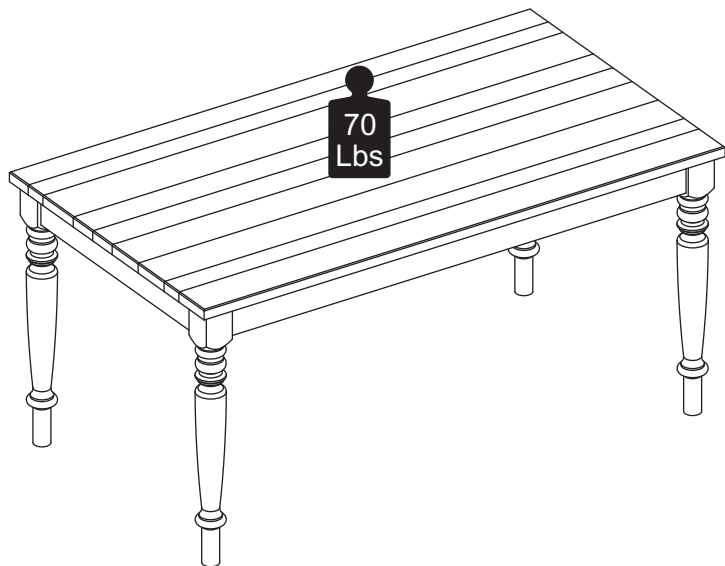
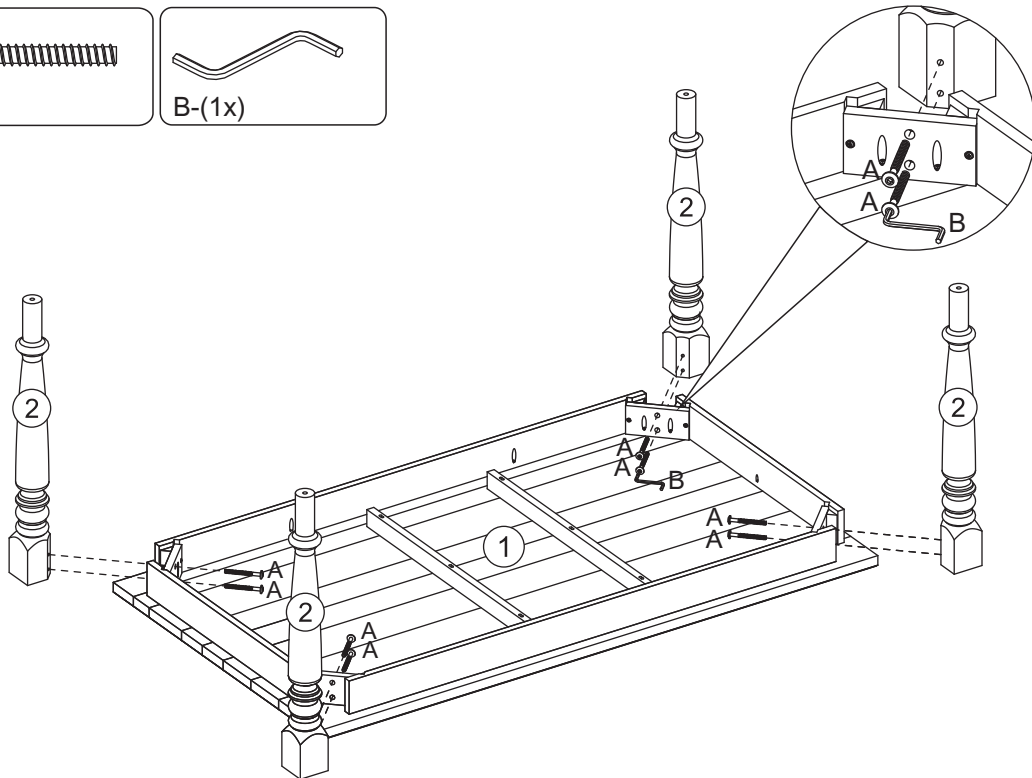
1



A- (8x)



B- (1x)



What about your product:

- Solid PineWood from Planted Forests
- Lead-free Paint
- Made in Brazil

Assembly Recommendations:

- Pay close attention to the drawings, specially the side of each part.
- Mount on a clean flat surface, we suggest to cover your floor with the packing carton.
- To avoid damages, prefer to do not use eletric screwdriver.
- Do not use any sharp edge tool, it can scratch your new item.
- Perform the assembly calmly, rush may generate hits and dents.
- If you need a hammer to insert dowels or any other hardware, perform light hammers.
- And if you have any buddy close to you, ask for help. Team work is easier and Fun.

Product Care

- Wood is a natural material and require especial care.
- SandRidge Collection is intended for indoor use.
- Do not place it in direct sunlight or damp areas.
- Whatch out of placing it in front of air conditioning vents ir heaters.
- Avoid placing hot surfaces directly over the wood, it may stain, burn or damage its finishing.
- Sharp objects may damage wood.
- To move your piece ask for help, dragging it will damage the finishing and item structure, loose legs and side parts.
- Clean it with soft, clean & dry cloth.
- If you feel necessary use an appropriate furniture polish.
- Alcohol, perfume and other medicines can cause severe damage to the finishing.

If you need any assistance, please contact:  
[support@bhd-imports.com](mailto:support@bhd-imports.com)

Distributed by  
BHD Imports LLC  
[www.thebeachhousedesign.com](http://www.thebeachhousedesign.com)

Have Fun !!