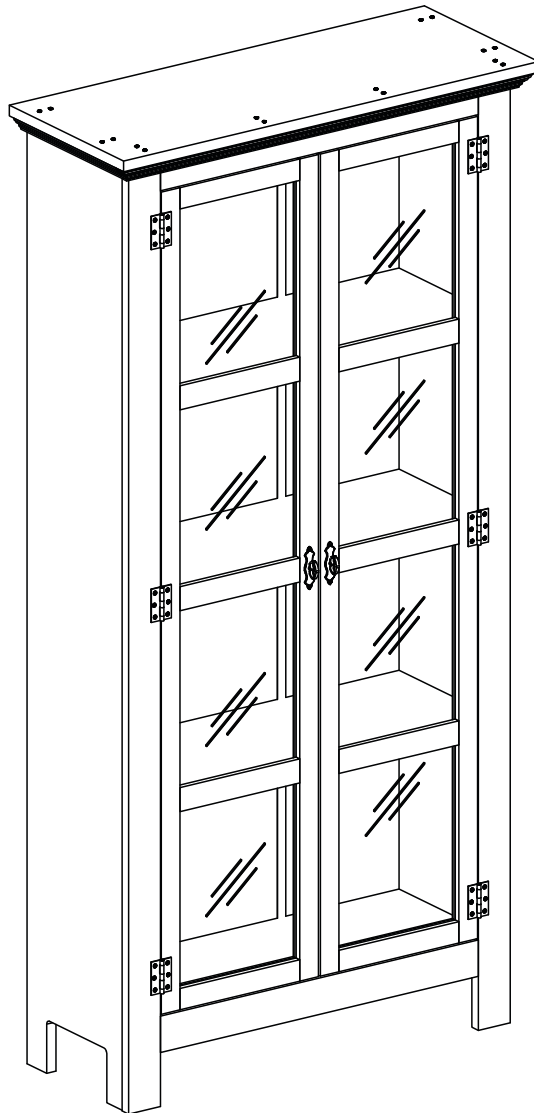


*The*  
**BEACH HOUSE  
DESIGN**

**Assembly Instructions !!!**



Video Assembly

**Sunrise Collection  
Accent Cabinet**

[www.thebeachhousedesign.com](http://www.thebeachhousedesign.com)

What about your product:

- Solid PineWood from Planted Forests
- Made in Brazil

Assembly Recommendations:

- Pay close attention to the drawings, specially the side of each part.
- Mount on a clean flat surface, we suggest to cover your floor with the packing carton.
- Do not use any sharp edge tool, it can scratch your new item.
- Perform the assembly calmly, rush may generate hits and dents.
- If you need a hammer to insert dowels or any other hardware, perform light hammers.
- And if you have any buddy close to you, ask for help. Team work is easier and Fun.

**WARNING:** Avoid the presence of children and pets during assembling, because the product contain small parts/hardware that can be swallowed.

Product Care

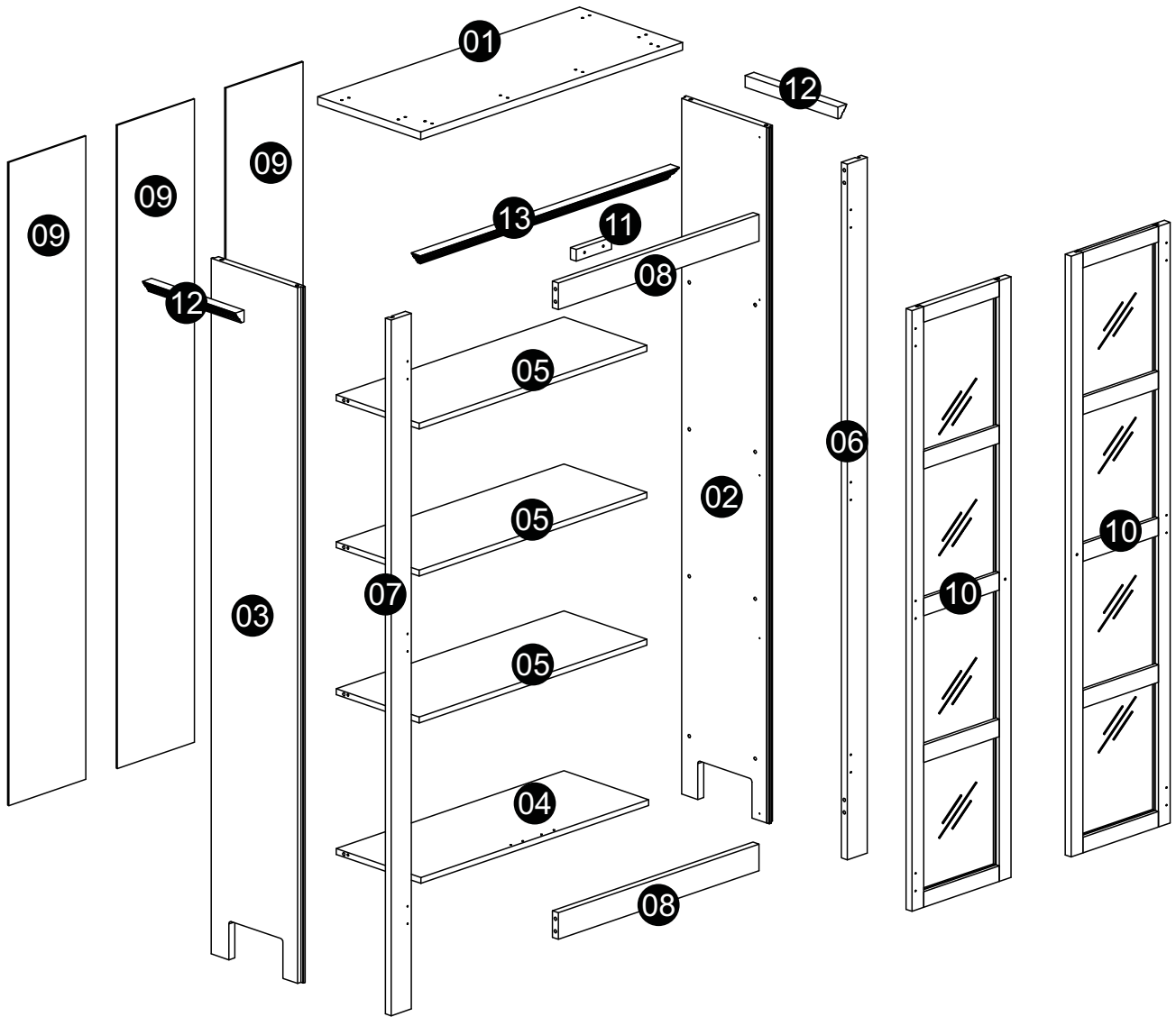
- Wood is a natural material and require especial care.
- As a natural material, it has some slightly size and color variations.  
(e.g. wood grains, color tone, textures, small cracks & gaps)
- Every single details make it a single and exclusive unit.
- This item is intended for **indoor** use.
- Do not place it in direct sunlight or damp areas.
- Watch out of placing it in front of air conditioning vents or heaters.
- Avoid placing hot surfaces directly over the wood, it may stain, burn or damage its finishing.
- Sharp objects may damage wood.
- To move your piece ask for help, dragging it will damage the finishing and item structure, loose legs and side parts.
- Clean it with soft, clean & dry cloth.
- If you feel necessary use an appropriate furniture polish.
- Alcohol, perfume and other medicines can cause severe damage to the finishing.

If you need any assistance, please contact:  
[support@bhd-imports.com](mailto:support@bhd-imports.com)



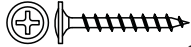
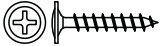


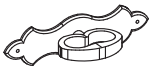


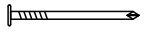

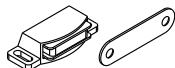

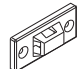


Distributed by  
BHD Imports LLC  
[www.thebeachhousedesign.com](http://www.thebeachhousedesign.com)

Have Fun !!

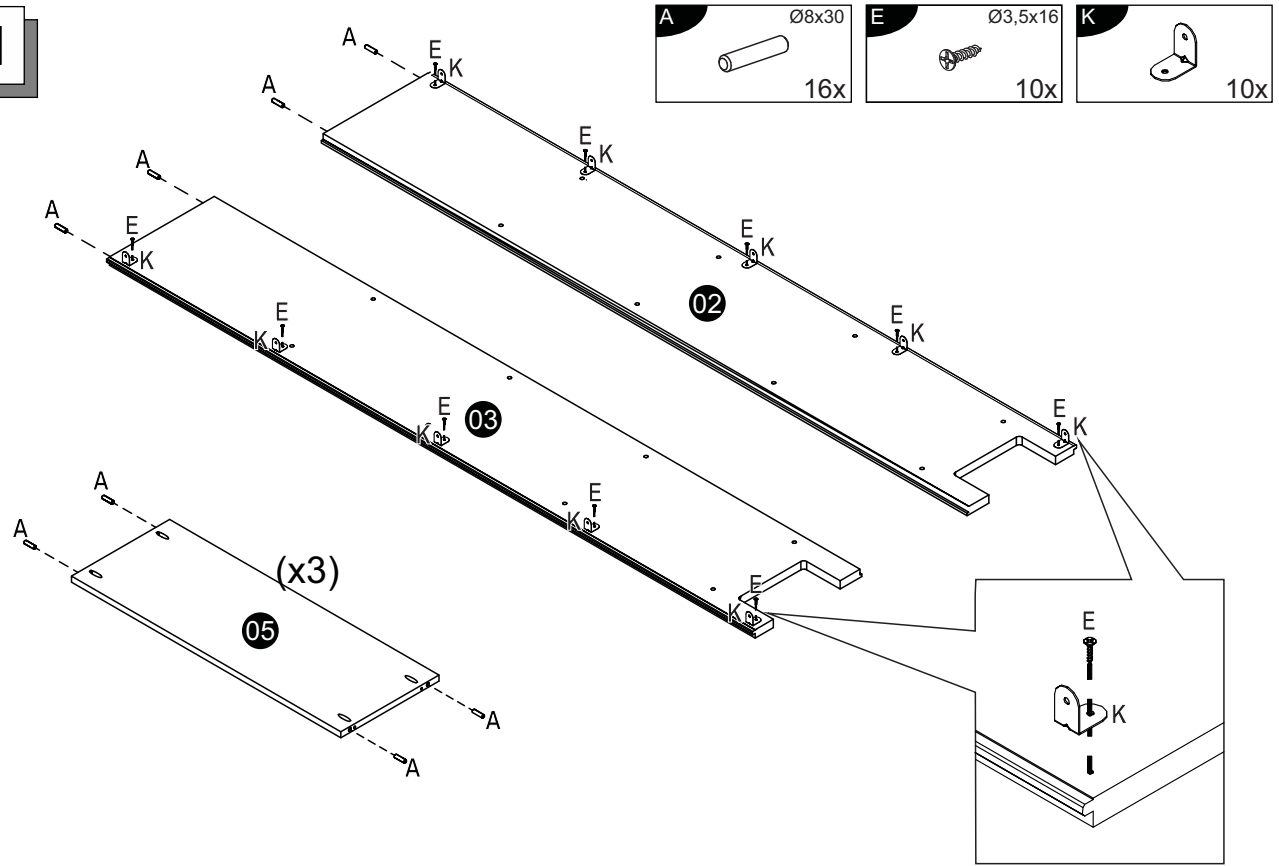
# PRODUCT PARTS



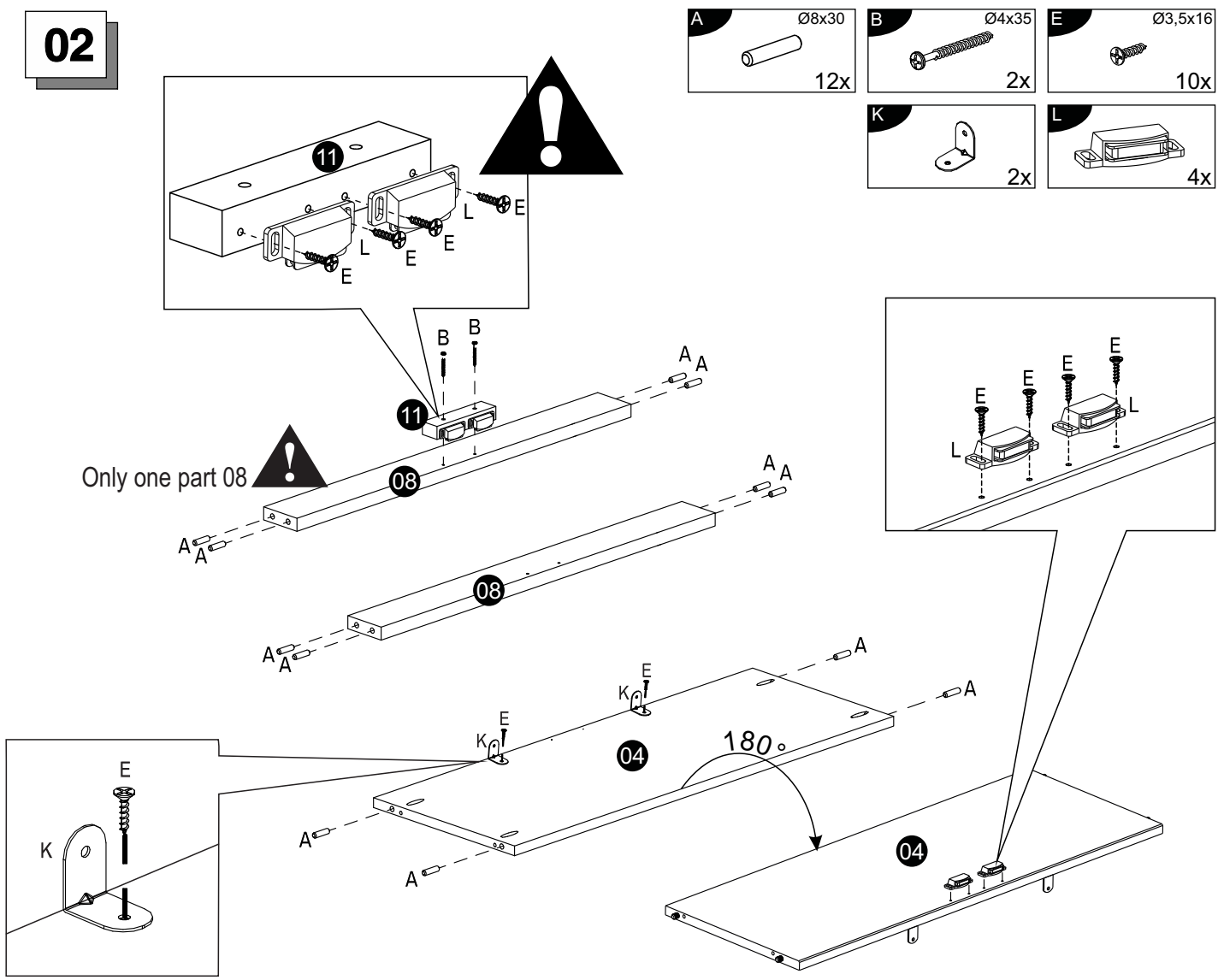
# HARDWARE/ ACCESSORIES

A	 Ø8x30	28	B	 Ø4x35	20	C	 Ø3,5x30	16
D	 Ø3,5x25	02	E	 Ø3,5x16 - Black	76	F	 M4x25	02
G		02	H		06	I	 Ø3x14	04
J	 Back Panel Nails 10x10	40	K		12	L		04
M	 Plastic Strip 63" long	02	N		02	O		01
						P		02

**01**

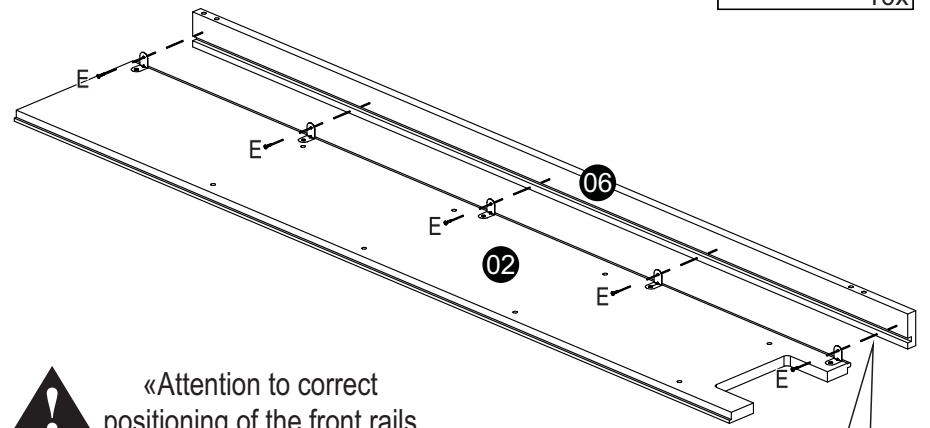
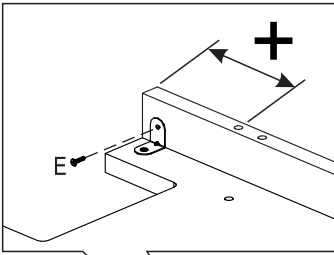


**02**

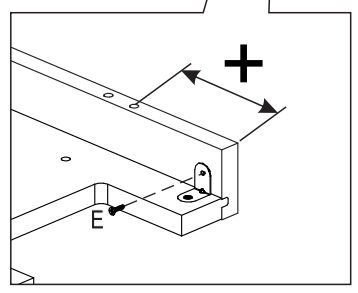
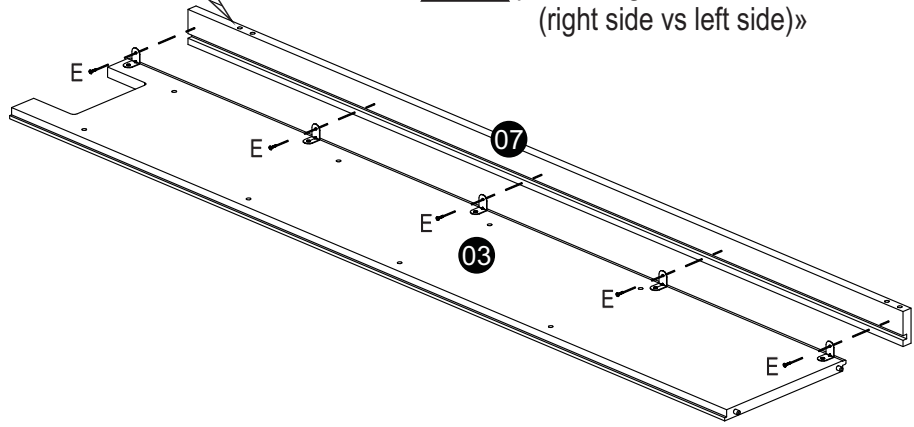


**03**

**E** Ø3,5x16  
10x

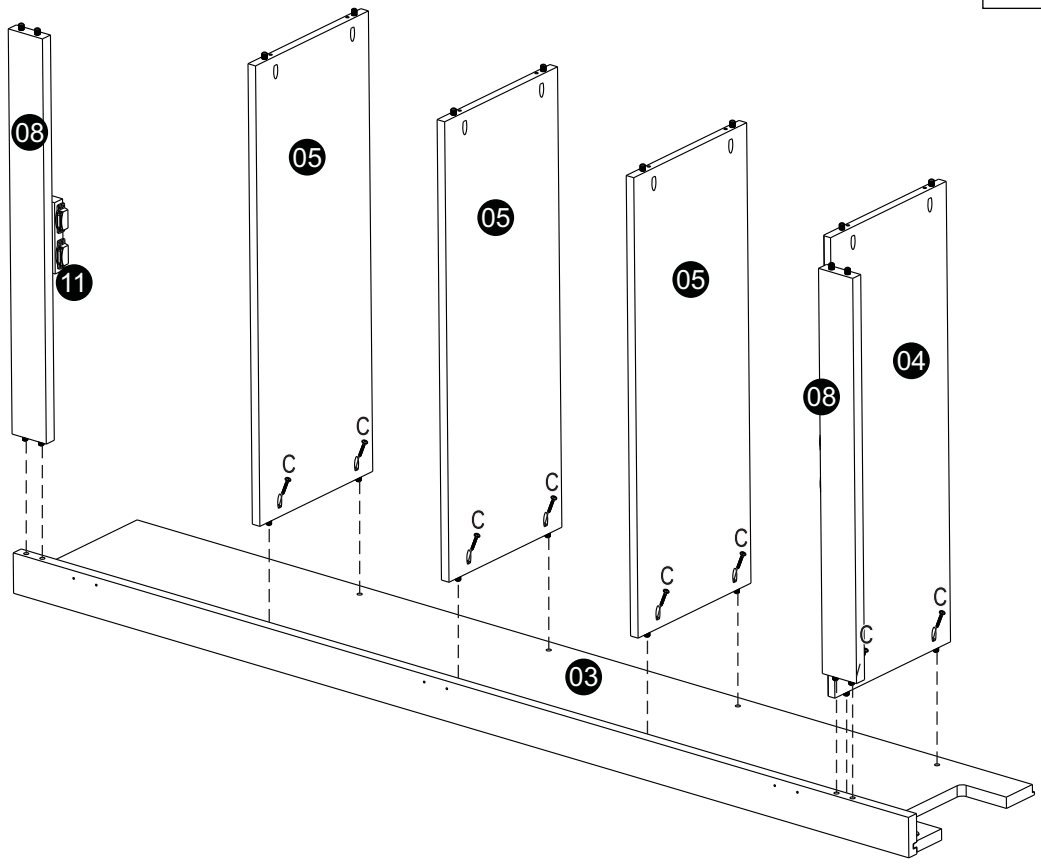


**!** «Attention to correct positioning of the front rails (right side vs left side)»

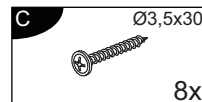
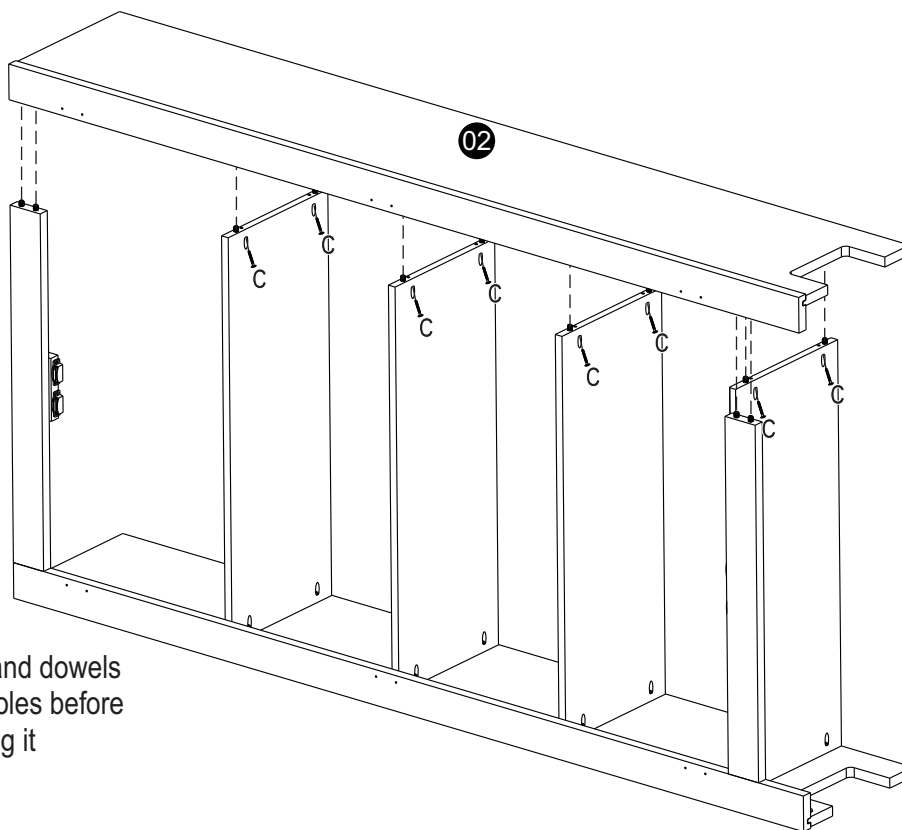


**04**

**C** Ø3,5x30  
8x

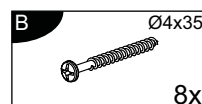
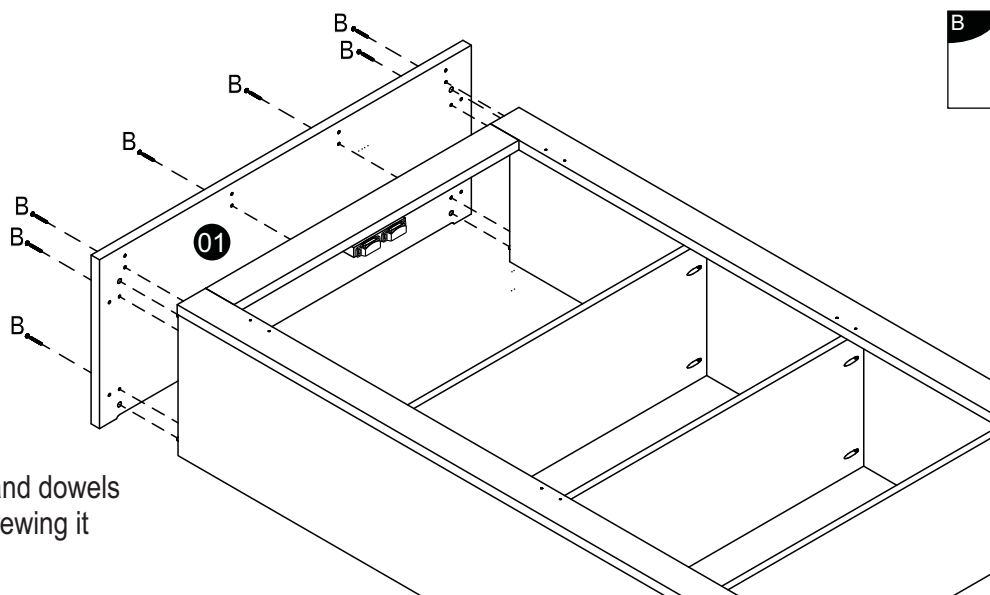


05



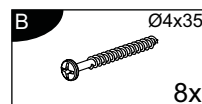
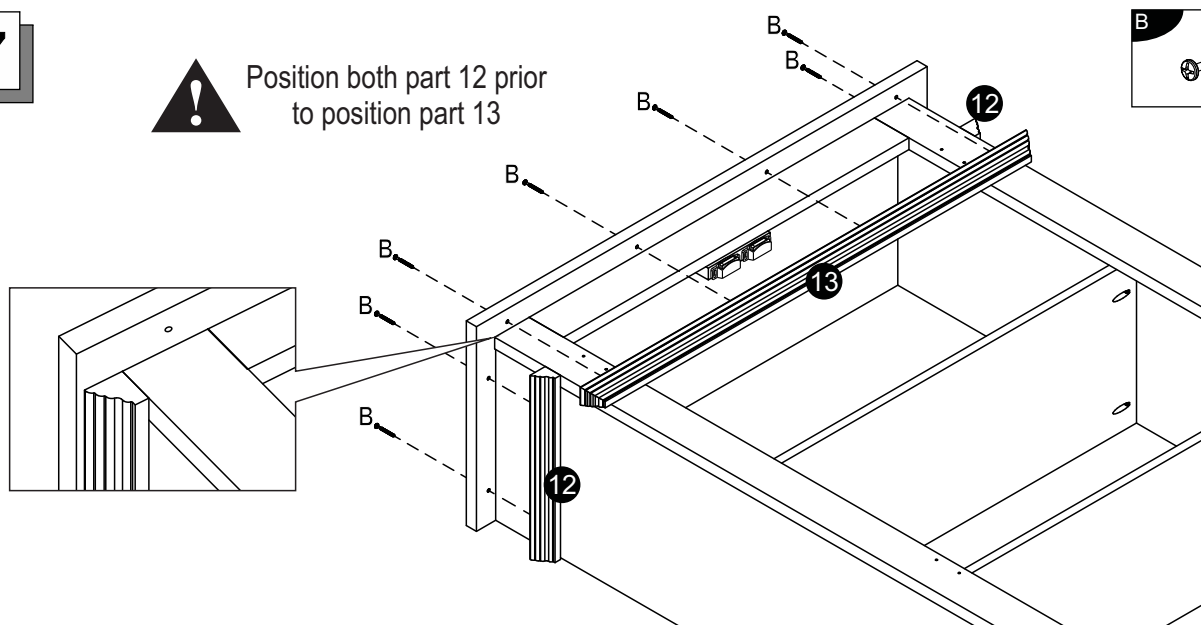
Align shelves and dowels to side panel holes before screwing it

06



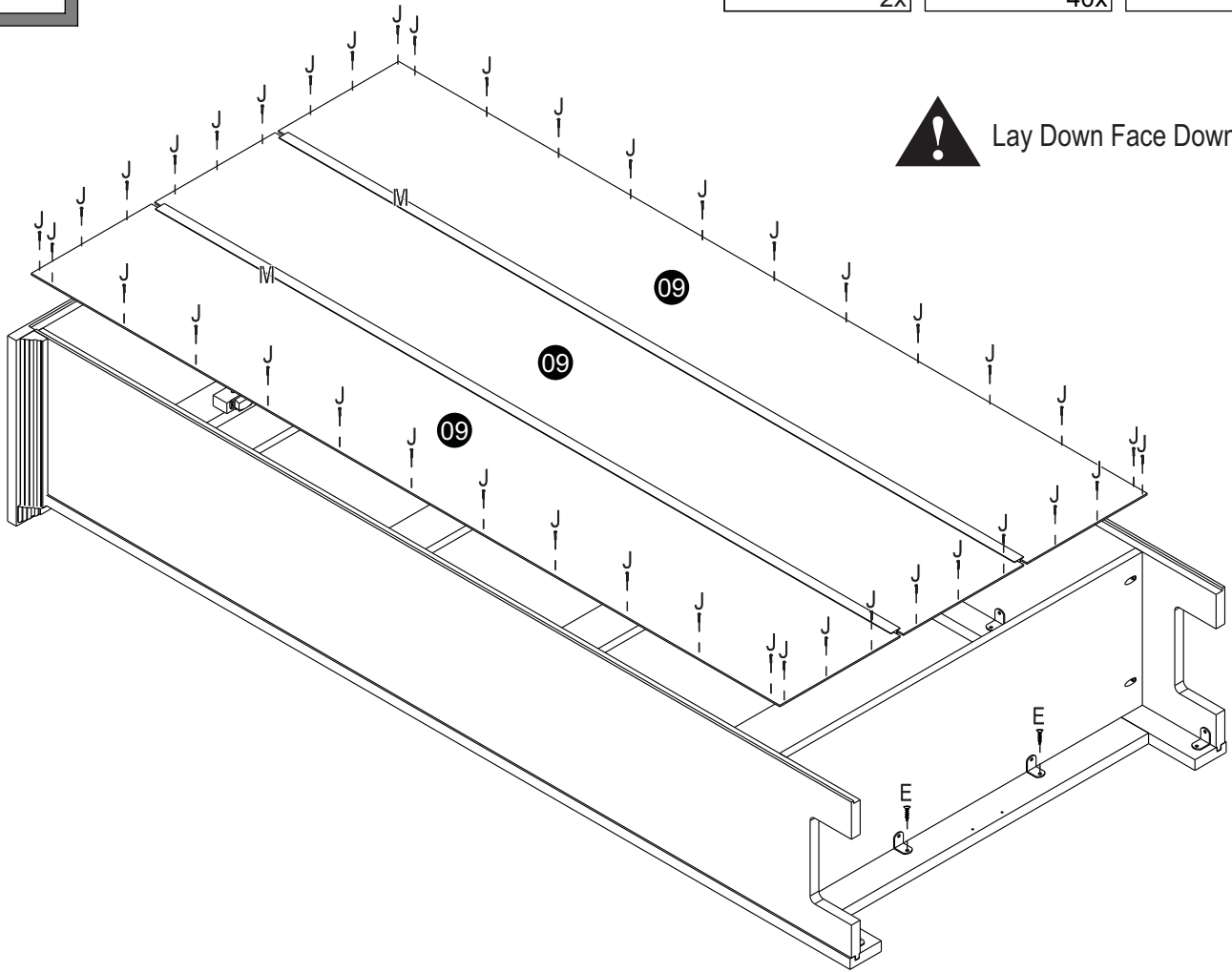
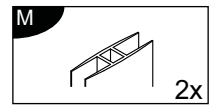
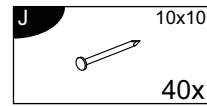
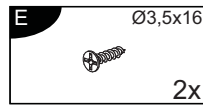
Align holes and dowels before screwing it

07

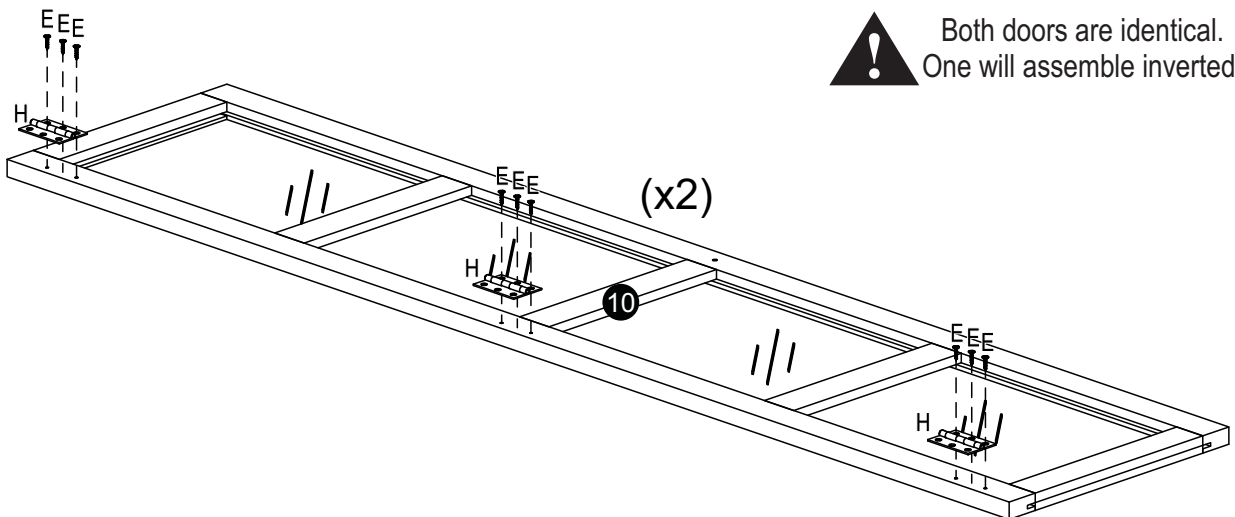
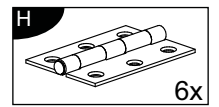
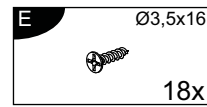


Position both part 12 prior to position part 13

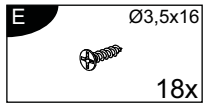
08



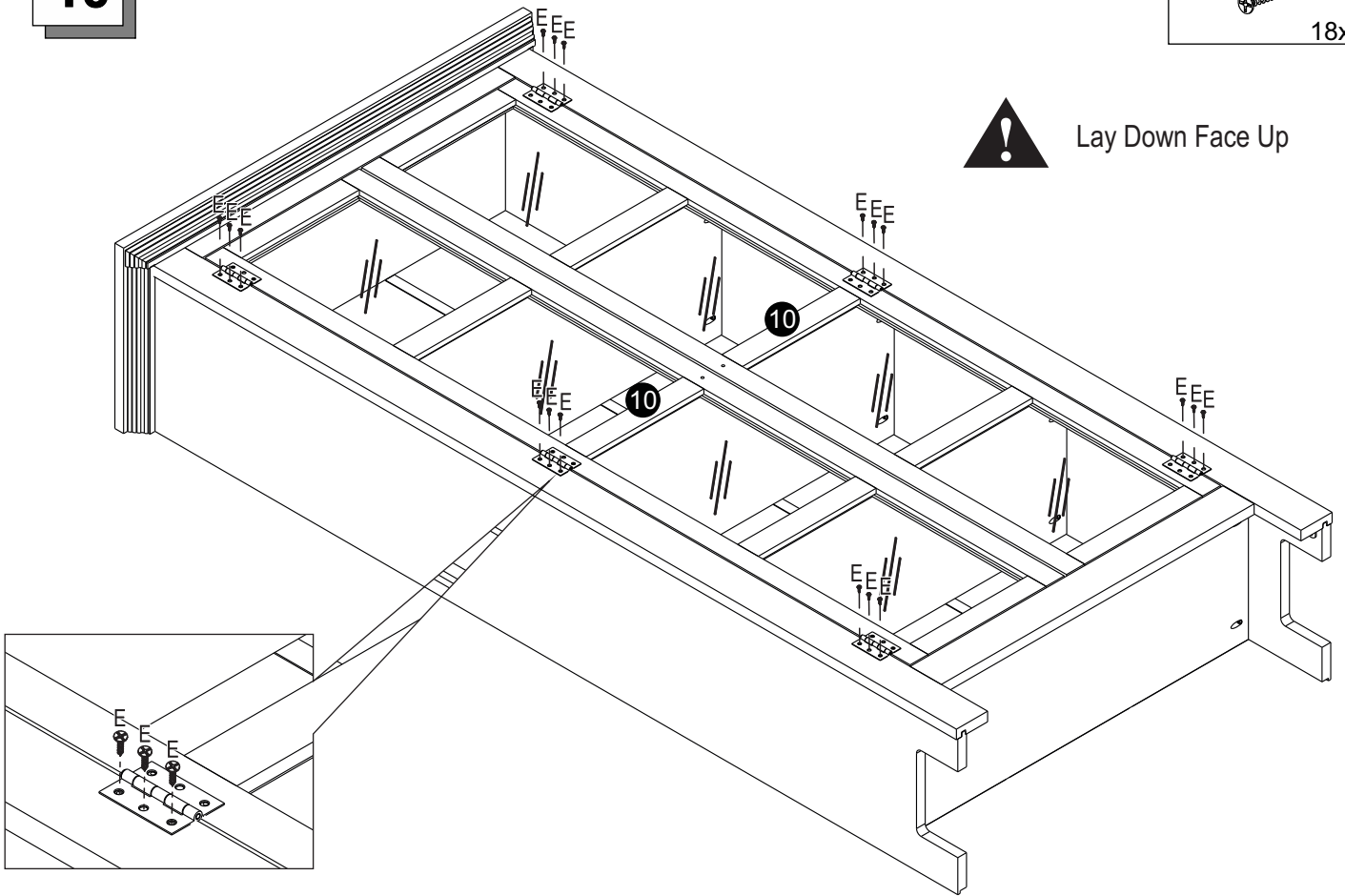
09



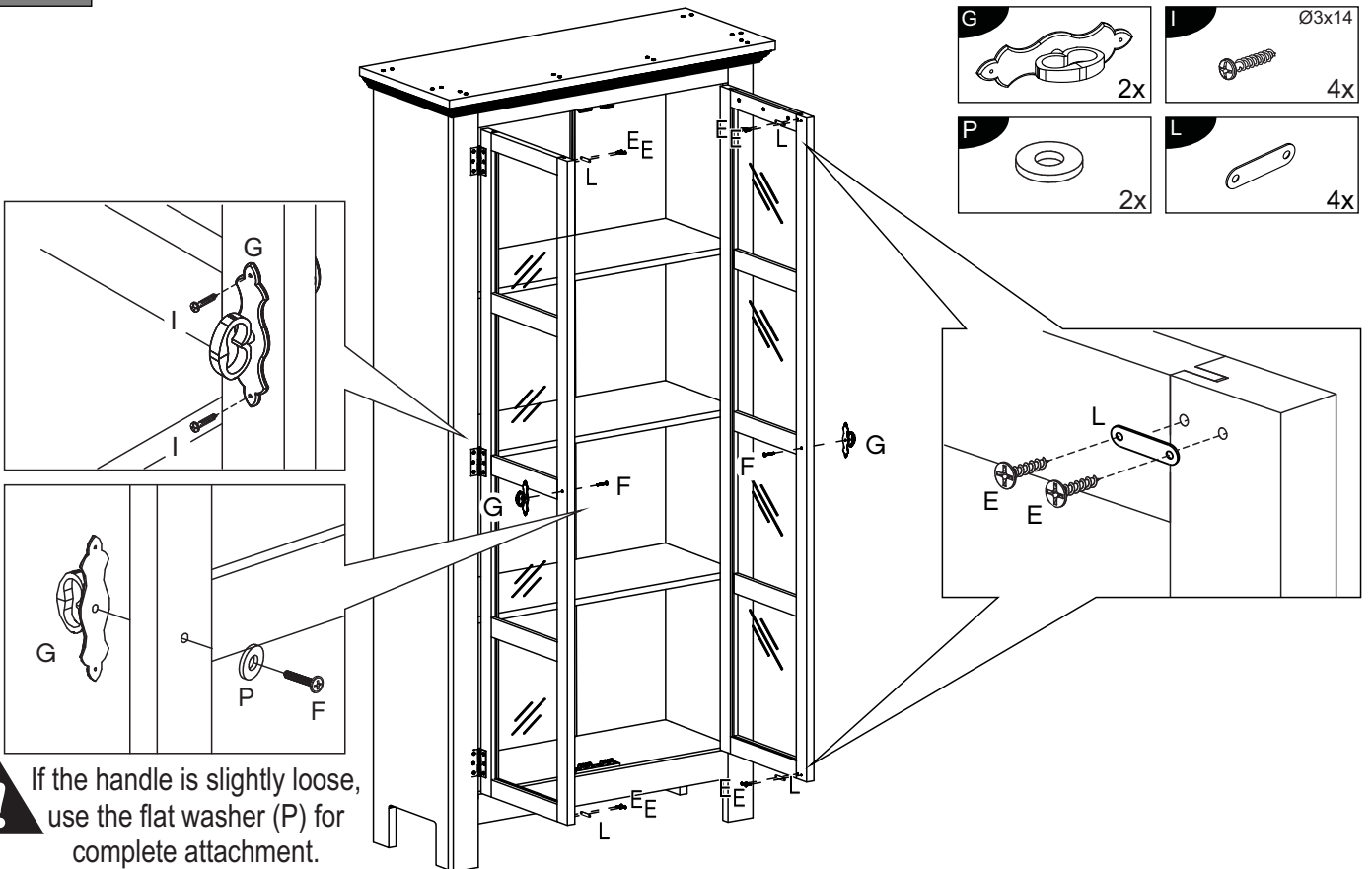
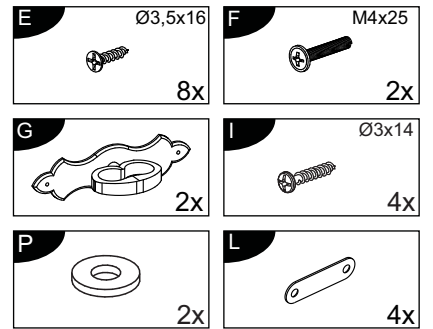
10



Lay Down Face Up



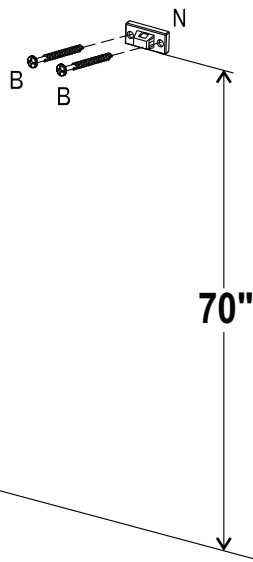
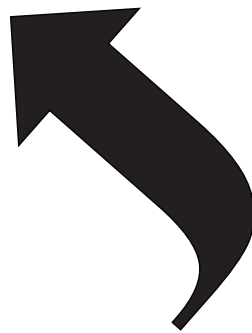
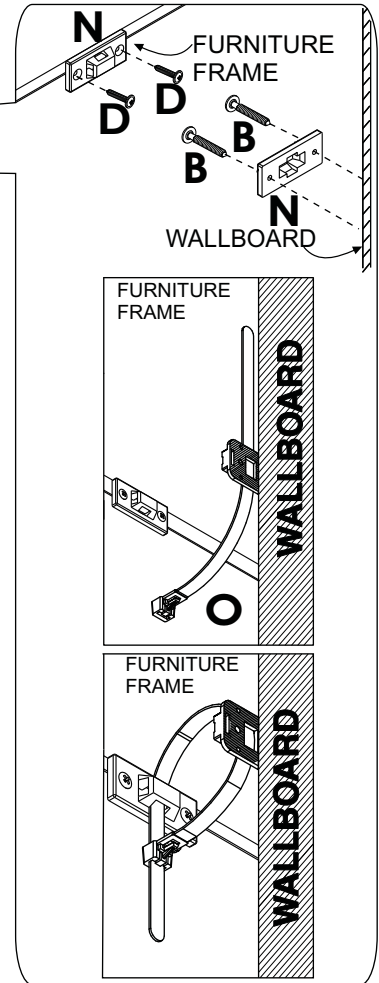
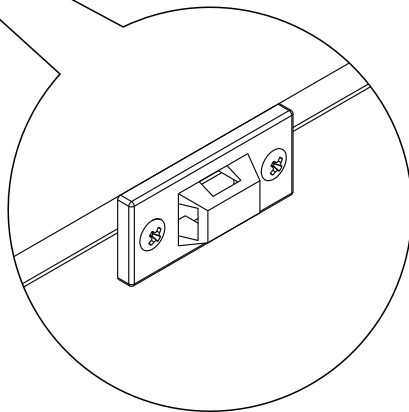
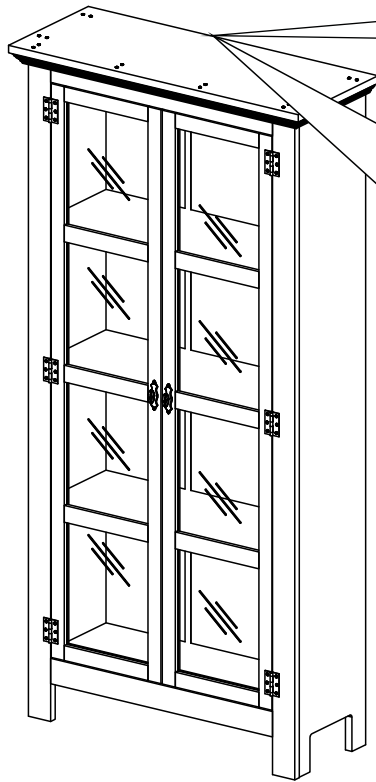
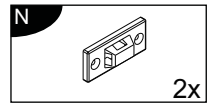
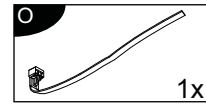
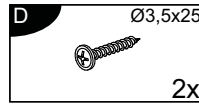
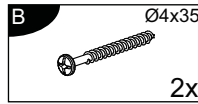
11



If the handle is slightly loose, use the flat washer (P) for complete attachment.



12



### ATTENTION

Screws supplied are for wood interior walls (plywood/OSB/wood). If your walls are in plasterboard or similiar, need to look for proper screws.