



ROSIN MADE SIMPLE

INTRODUCTION	1
UNPACKING	2
QUICK START	3
UNIT OPERATION	4-5
HOME SCREEN	6-7
MASTER EXTRACTION SCREEN	8-9
RAMP MODE	10
SETTINGS SCREEN	11-12
DECARB MODE	13
CARE & SUPPORT	14
NOTICE	15
SAFETY	16





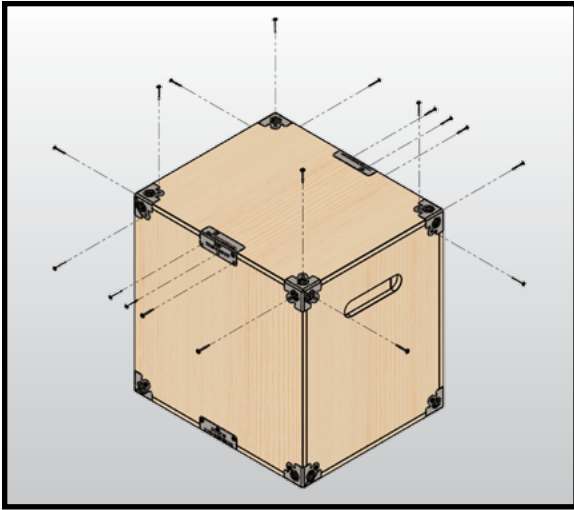
Thank you for the purchase of your NugSmasher® IQ, an intelligent solution to rosin extraction. We have designed this unit for the purpose of effortless rosin extraction.. Your IQ system will be constantly updated with the newest software and tools to further aid in rosin extraction. When setting up your unit, please ensure your stand is suitable for the weight of the machine (55.5 LB). Also note that the unit gets hot and the high temperature hydraulic heat plates are capable of bodily injury if not used in a safe manner.



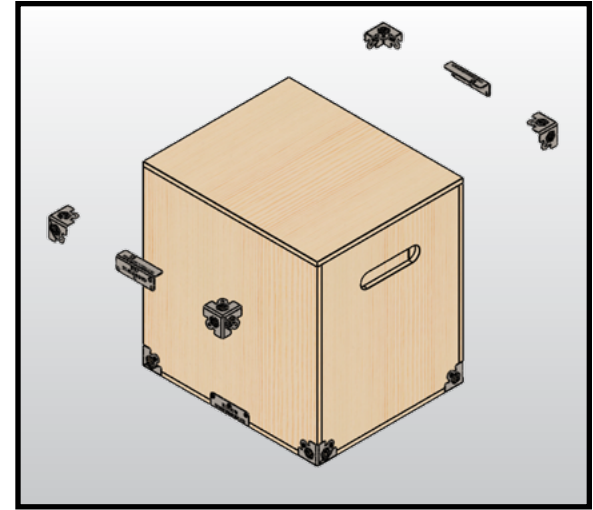
Warning: If used improperly this unit can cause bodily harm. Use extreme caution to keep body parts away from plates when used in full auto mode.

(Please do not attempt to open your unit casing as this will void your factory warranty.)

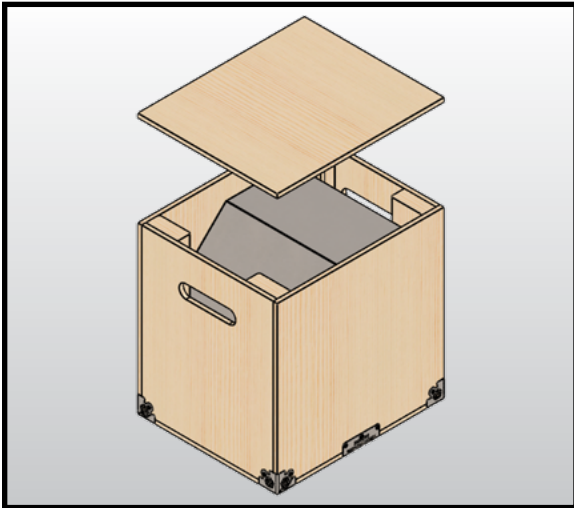
While our products are sturdy and built to last, they are also heavy and shippers can be rough during handling. If there are any problems from shipping and your item does not deliver safely please contact us directly so we can resolve the matter immediately. As always, please feel free to call us at any point with any questions or concerns at (928) 852-7489 seven days a week for your convenience. Additionally you can live chat at [NugSmasher.com](https://www.NugSmasher.com).



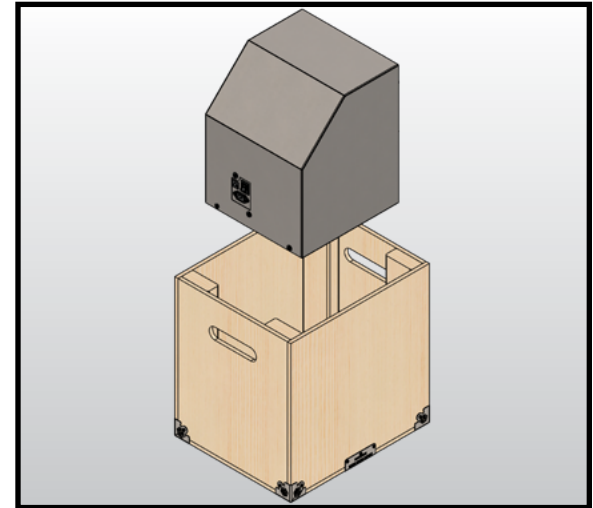
1. Remove the 18 screws from top fasteners of the crate.



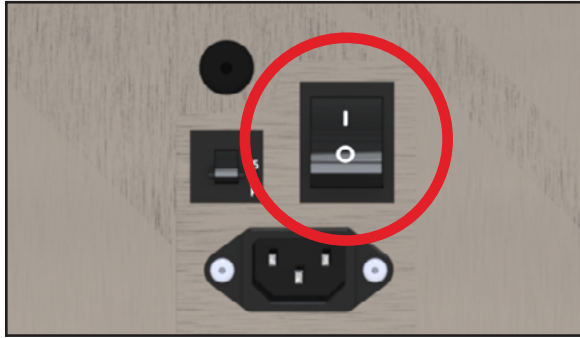
2. Remove the fasteners from the top of the crate.



3. Only remove top wooden lid from the crate.



4. Remove NugSmasher IQ with caution.





Your NugSmasher IQ contains sophisticated hardware similar to a PC and requires specific shut down procedure.

Powering Off Unit: DO NOT power off your unit by the switch! It is imperative when powering down to use the on screen power button. Once power down cycle is complete and screen has shut down -approximately 15 seconds- then the main power switch on the rear of the unit should be set to the off position.

Powering Unit On: To start your unit turn on power switch on the rear of unit and display will start within 5 - 7 seconds.

The NugSmasher® IQ is designed with several time saving features that will allow you to choose the perfect setup and pressure using our NugSmasher® bags in accordance with their dimensions. We also have integrated a custom configuration for bag size if your using non NugSmasher® bags or pressing items like kief or bubble hash (non Bottle Tech Style) to achieve correct pressure vs. surface area configuration. (Note not all bags are created equally, use NugSmasher® bags for best results BTS).

WiFi QUICK SETUP: The wifi connectivity of your machine must be turned on to allow any updates which will include new NugSmasher®IQ capabilities with your machine as they are designed. Simply go to settings  button which is on the top right of your screen and select "WiFi icon"  to allow it to be connected via your wifi network, connect to your available network connection by inputting your wifi password. Note: Connection can take approx 10 seconds before its connected. The system only works wireless so you would need to have a wireless connection within range. Note a remote connection is available for our engineers to troubleshoot after connection is established see page 11. NugSmasher IQ is currently compatible for 2.4 GHz networks. If your having trouble connecting make sure your network is currently set to 2.4 GHz.

At the bottom of the IQ home screen we have several preset quick start selections (*red box in figure 1*). Toggle between 4 standard bags sizes, select qty of bags, toggle between 3 time presets, 3 pressure presets and 3 temperature presets. These are great tools to help you get started with solventless extractions. Note ramp mode also includes a hash and isolate preset.

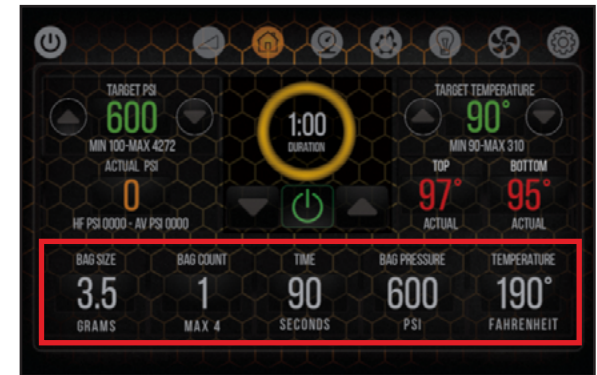


Figure 1



Ideal Temperature:

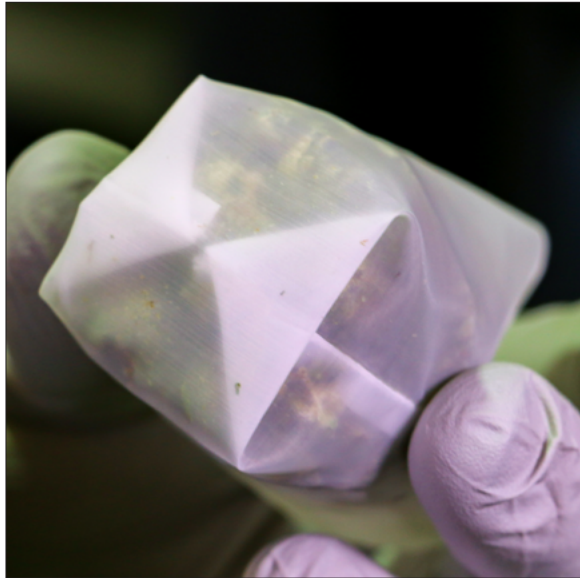
To adjust temperature simply touch temps and select up or down on display "Target Temp" also note that there are several preset common temperatures that can quickly be toggled through for convenience. Note: NugSmasher® IQ is set in Fahrenheit. The ideal pressure and temperature will vary depending on strain and growing techniques so don't be discouraged on your results when you press new material. We recommend when pressing a new strain to start at approx. 210 degrees for flower and notate your yield results (weight of material in vs. rosin out). Perform additional test presses and drop 5 degrees per press until you notice your yield percentage starting to drop. Adjust back to the previous temp and that will be your ideal temp for that strain. It is advised to have a thermal temp gun to verify and check temperatures from time to time. Use our temperature test strips included with your unit (also available for purchase at NugSmasher®.com), unless in a pinch use a small piece of electrical tape as the high gloss on heat plates will affect accurate temp readings if using a thermal temp gun. *(As shown in Illustration)*

Pressure:

Once your unit reaches set temperature you're ready to start pressing. Select desired material pressure by inputting "Target PSI" for example flower would be between 650-750 psi. Select bag size 3.5,7 or 14 gram size and quantity as well as time of press. Note, the pressure is calculated using the preset bag size you choose from. If your using a non NugSmasher® bag select the button to right of home button and you can manually input your bag dimensions which will give you recommended surface bag area calculations. Once you have your material between parchment paper (do not use wax paper!), Hit start button under timer and your unit will do the rest. There are several videos available for the IQ online on the NugSmasher® social Instagram account as well as the NugSmasher® YouTube channel that are very beneficial for techniques and tips of your rosin extraction. Visit TerpFiles.com for great reference to strains, temps and unit settings used.

Loading Micron Bags

NugSmasher® extraction bags, are recommended for optimal yield and clean quality rosin. Our bags are hand-made and packaged in the USA! NugSmasher® extraction bags are specifically designed to work with the weight of fresh cured flower and are labeled accordingly at: 3.5 g (1.1g-3.5g), 7 g (3.6g-7g) and 14 g (7.1g-14g). This assumes the bags are loaded (BTS) or bottle/barrel-tech style (upright so that you end up with the round coin like puck once fully pressed). This perfected method allows you the ability to put the proper weight of flower into the bag and get a consistent extraction every time. This method also applies the proper pounds per square inch of pressure (PSI) on your product and eliminates the guess work.



3.5g bag (1.1g-3.5g) = 1.5"-1.6"Diameter

7g bag (3.6g-7g) = 2"-2.2"Diameter

14g bag (7.1g-14g) = 2.4"-2.7"Diameter

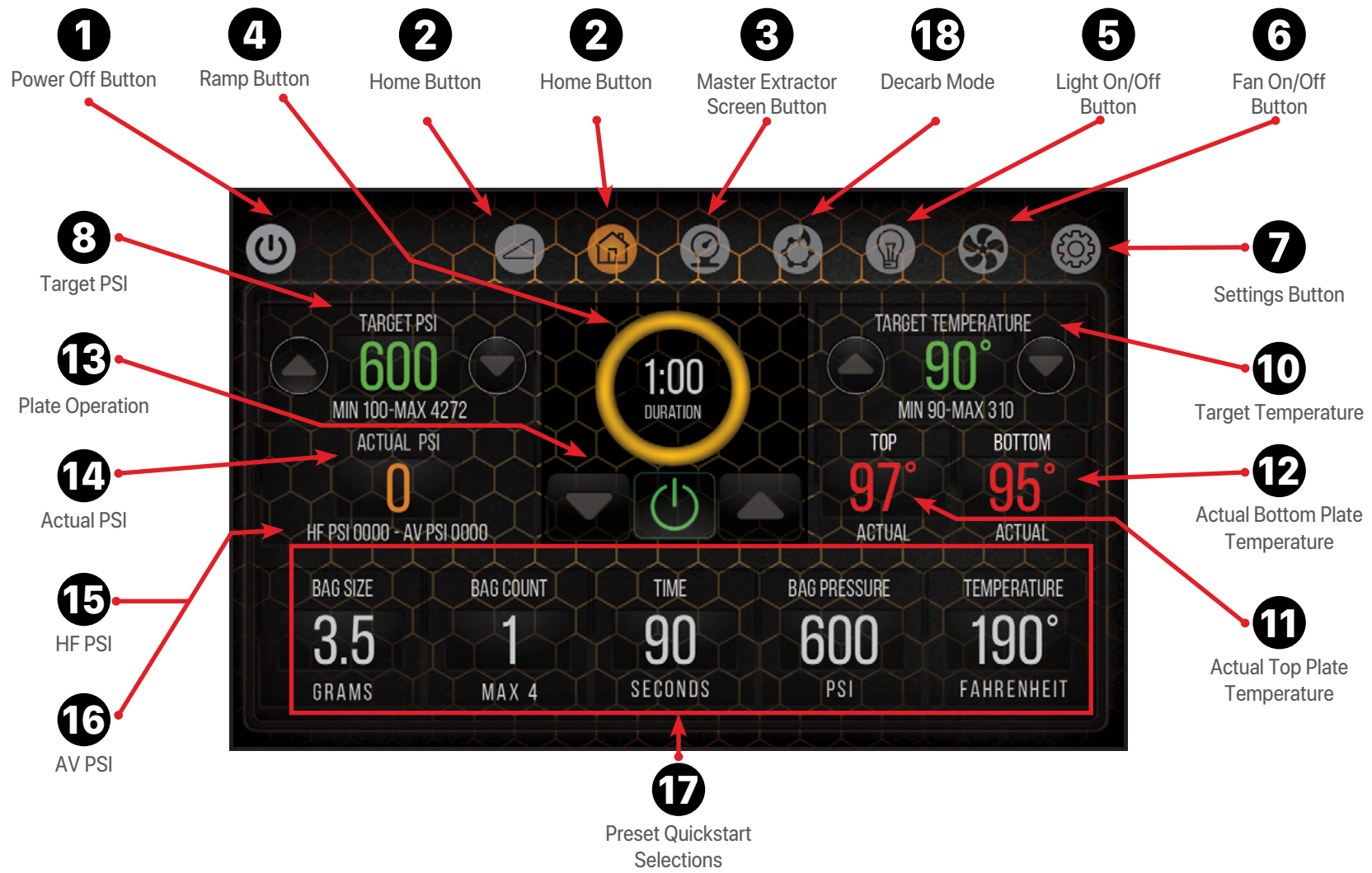
REMEMBER


"FIRE IN FIRE OUT!"

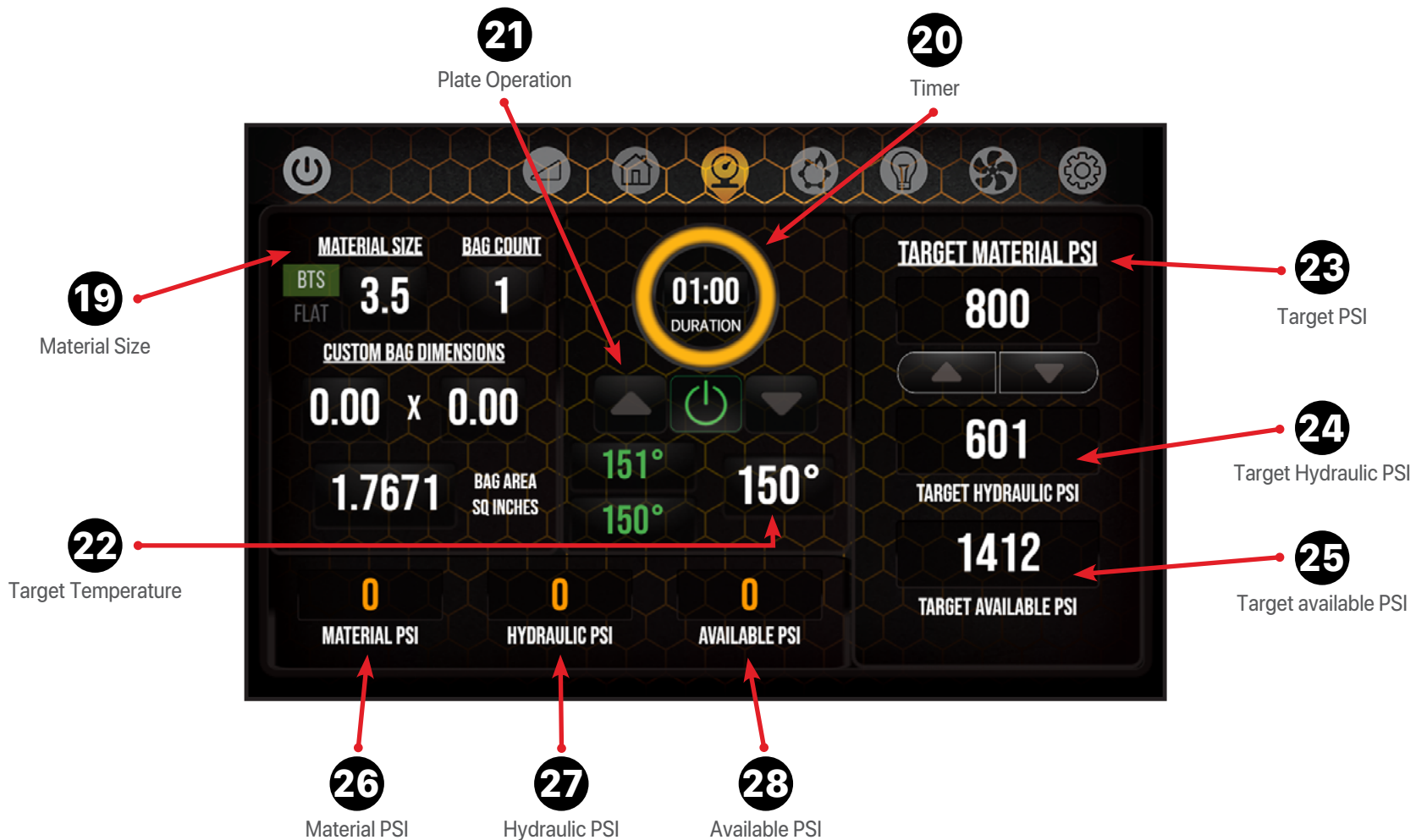



As the micron gets smaller the diameter gets larger, this is the reason for the variance in the diameter numbers above. We prefer to use 160 micron for fresh flower, as flower dries we go down in micron screen size (for dry flower use 90 micron). Micron size determines the diameter (surface area) of the smashed bag. For nuggets 1g and smaller no bag is necessary. For more details about loading Bottle-Tech and/or Barrel-Tech style (BTS) please visit NugSmasher® on YouTube: <https://www.youtube.com/watch?v=0osvcD7CLK0>

HOME SCREEN

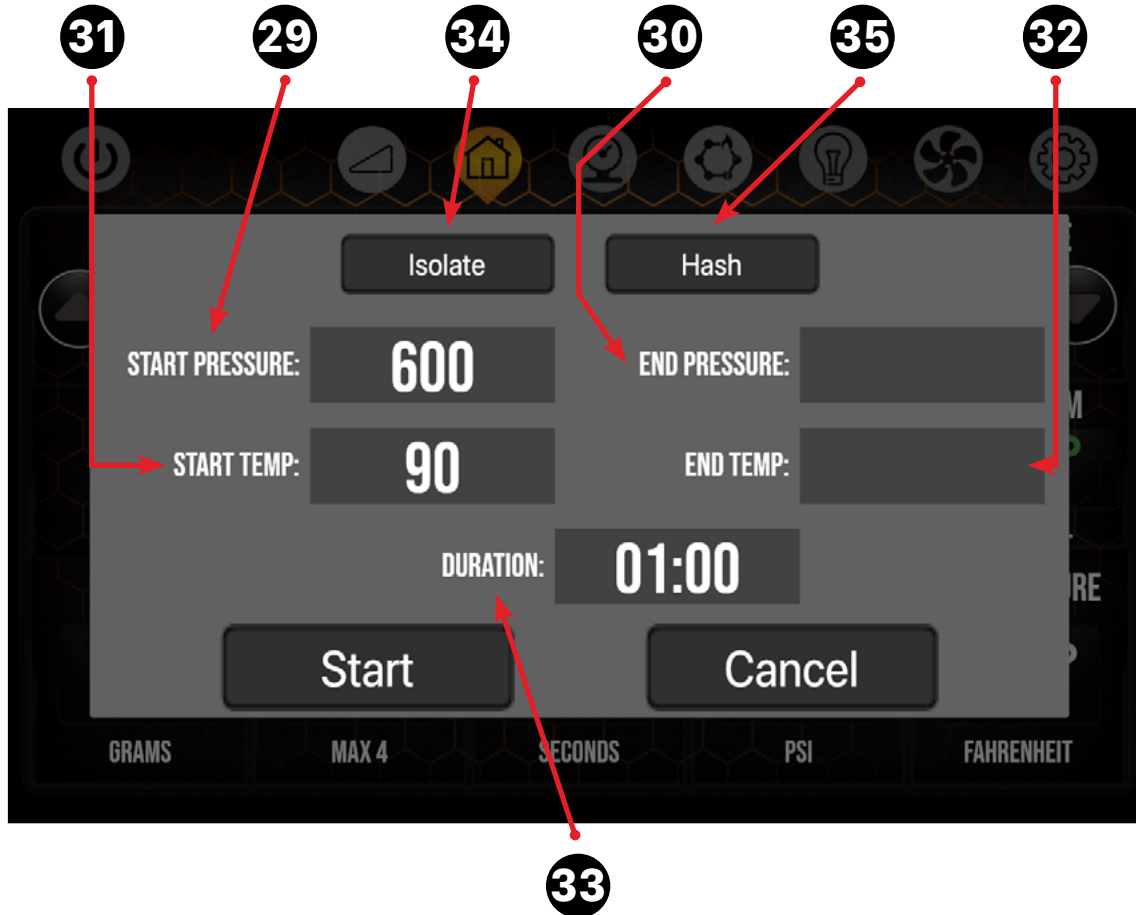


1. **Power Off Button:** After pressing power off wait 15 seconds before turning button to off position on rear of machine.
2. **Home Button:** Returns to this screen from other screens
3. **Master Extractor Screen:** Completely customize all your IQ's full capabilities.
4. **Ramp Mode:** Allows you to have a starting and ending pressure and temperature over a set duration of time. Note ramp mode also includes hash and isolate presets.
5. **Led Light on/off Control**
6. **Fan on/off Control**
7. **Settings:** Wifi, Help/remote access, user preferences.
8. **Target PSI:** Select the arrow on either side or press on the number directly to bring up a keypad for easy entry.
9. **Timer:** Tap timer to bring up the keypad for setting timer. Based on your personal preferences you can set the time to seconds or minutes and seconds. Once your desired settings have been reached, timer will count down and release plates upon completion.
10. **Target Temperature:** To set target temperature of your heat plates press the arrows on either side or press actual set temperature to bring up the keypad for numerical entry.
11. **Actual Top/Bottom Plate Temperature:** Note, writing above temp turns from white to red when heaters are on. Actual temperature reading will be red if 2 degrees outside of target temperature. Actual temperature will be green if 2 degrees within set temp. Actual temperature will read blue if disabled in user preferences.
12. **Actual Bottom Plate Temperature:** Same as number 11.
13. **Plate Operation:** Arrows under timer raise your heat plates up and down manually.  The Automatic start button starts the plates toward its target settings. **Note**, the start button turns to stop button when the unit is in operation. At any point the stop button will return plates to starting position down.
14. **Actual PSI:** Actual psi reading indicates the actual material psi between plates based on the set bag size.
15. **HF PSI:** Stands for hydraulic fluid pressure per square inch. This will indicate the actual hydraulic pressure at any time.
16. **AV PSI:** Stands for Available pressure per square inch. This will give you the total possible available pressure per sq inch between the plates at any given time.
17. **Preset Quickstart Selections:** Toggle between 4 standard bags sizes, select qty of bags, toggle between 3 time presets, 3 pressure presets and 3 temperature presets.
18. **Decarb Mode:** Auto decarb mode for use with your Nugsmasher small and regular Decarb capsule's only.



- 19. Material Size:** Here you will set your bag size and quantity which will determine the correct surface area. Easily toggle between 4 sizes of NugSmasher bags these surface areas are based on bottle tech style. See page 6. Custom material sizes may be utilized by selecting the CU and inputting your width and length in inches. You can select the quantity of bags, this will multiply your surface area by that quantity input. The bottom number indicates the total bag area in square inches.
- 20. Timer:** Tap timer to bring up the keypad for setting timer. Based on your personal preferences you can set the time to seconds or minutes and seconds. Once your desired settings have been reached, the timer will count down and release plates upon completion.
- 21. Plate Operation:** Arrows under timer raise your heat plates up and down manually.  The Automatic start button starts the plates toward its target settings. Note the start button turns to stop button when the unit is in operation. At any point the stop button will return plates to starting position down.
- 22. Target Temperature:** To set target temperature of your heat plates, press the arrows on either side or press actual set temperature to bring up the keypad for numerical entry. This indicates the actual heat of heat plates. If temp is within 2 degrees of actual temp will be green if outside 2 degrees color will be red.
- 23. Target PSI:** Select the arrows underneath or press on the number directly to bring up a keypad for easy entry.
- 24. Target Hydraulic PSI:** This is your target hydraulic fluid pressure based on your desired material psi and the material size selected.
- 25. Target Available PSI:** This is your total available PSI based on your desired material psi and the heat plate dimensions.
- 26. Material PSI:** This indicates the actual pressure applied to your material.
- 27. Hydraulic PSI:** Indicates the current hydraulic pressure reading.
- 28. Available PSI:** Indicates potential pressure that is available using the total surface area of the heat plate based on your psi setting. **Note:** this reading would only be used if you were intending to use the entire area of the heat plates.

Ramp mode  can be found at the top of the home  and master extractor screen. 



29. Start Pressure: This would be the starting material PSI desired, tap the number to input your desired setting.

30. End Pressure: This would be the ending material PSI desired, tap the number to input your desired setting.

31. Start Temp: This would be the starting temp desired, tap the number to input your desired temp.



32. End Temp: This would be the ending temp desired, tap the number to input your desired temp.

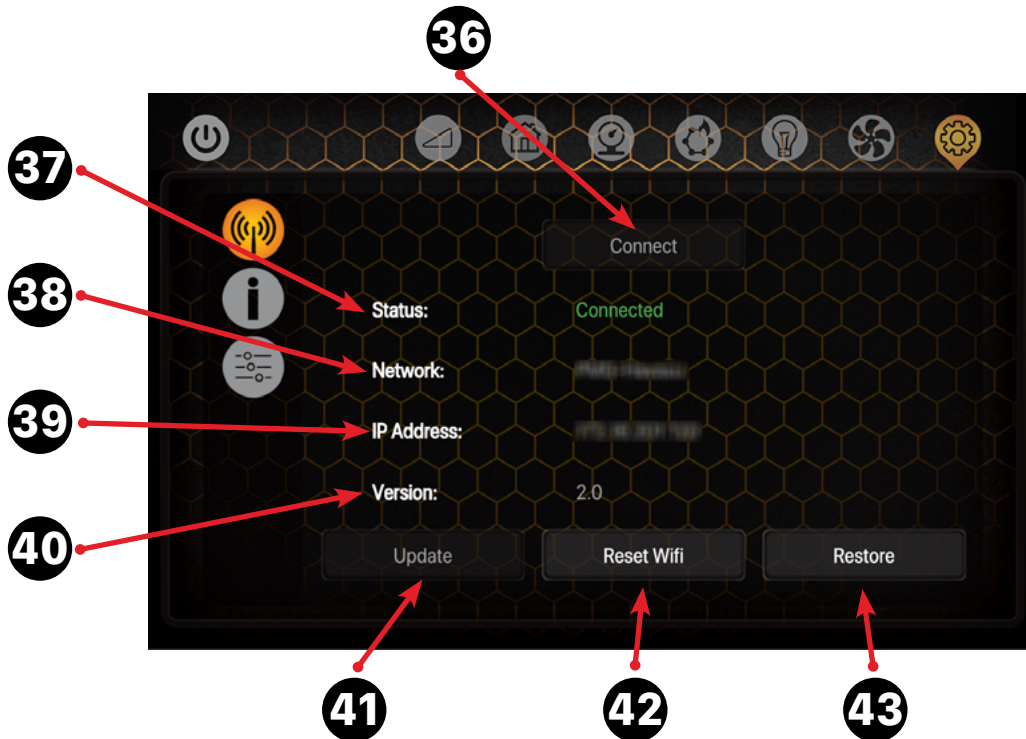
33. Duration: Will calculate the start to end pressure and temperature over the input duration. Tap the number to input desired duration.

34. Isolate Presets: This is a general start point to determine what works best for your material.

35. Hash Presets: This is a general start point to determine what works best for your material.

Internet Connection Setup

The wifi connectivity of your machine must be turned on to allow any updates which will include new NugSmasher®IQ capabilities with your machine as they are designed. Simply go to settings button  which is on the top right of your screen and select "Wi Fi icon"  to allow it to be connected via your wifi network, connect to your available network connection by inputting your wifi password. Note: Connection can take approx 10 seconds before its connected. The system only works wireless so you would need to have a wireless connection within range. **Note** a remote connection is available for our engineers to troubleshoot after connection is established. NugSmasher IQ is currently compatible for 2.4 GHz networks. If your having trouble connecting make sure your network is currently set to 2.4 GHz.



36. Connect: Brings up wifi settings to select desired 2.4 GHz network connection *Step 1*. Enter your network password. *Step 2*. Press connect.

37. Status: This shows the status of your wifi connection.

38. Network: Shows the network your connected to.

39. IP address: shows IP address of your machine.

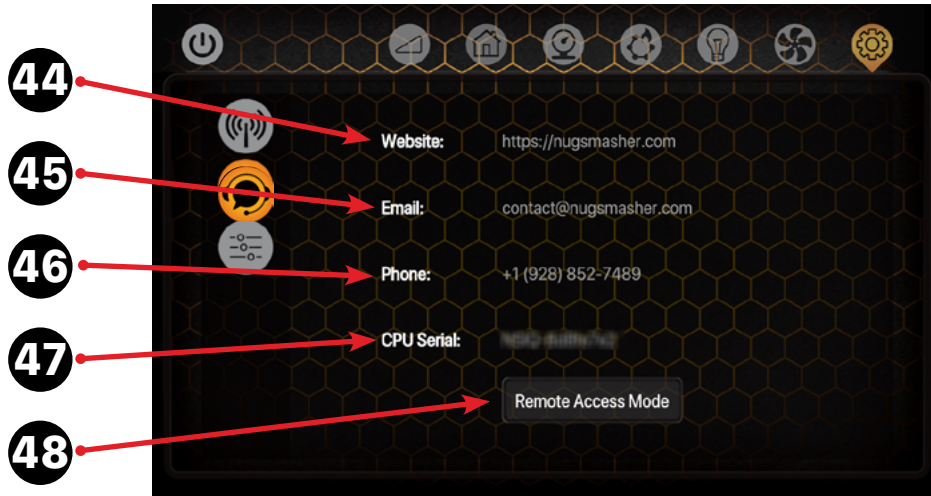
40. Version: Version of current software

41. Update: Update will be grayed out if none available, white if one is available.

42. Reset Wifi: Select this to reset your network setting or connect to new network.

43. Restore: This restores machine to factory settings and software.

Support



44. Website: If you need assistance you can chat with one of our customer support specialists 7 days a week. Please visit [NugSmasher.com](https://nugsmasher.com)

45. Email: [Contact@pmgcos.com](mailto:contact@pmgcos.com)

46. Phone Support : Please call (928)852 7489

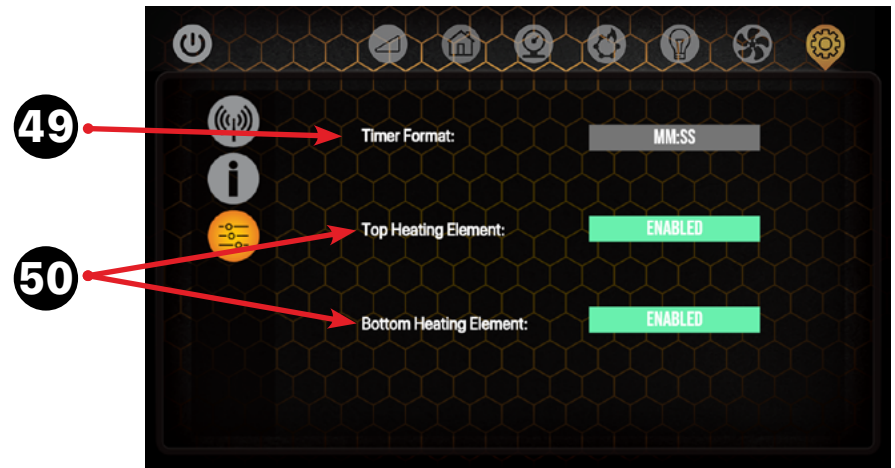
47. Serial #- Software serial number of your machine

48. Remote access mode: Select remote access if you're directed to by customer service at NugSmasher so a technician can dial in to your machine for support needs. Your machine will generate a port number (CPU Serial number-remove port) which you will be requested to provide. Please make note of number.



Personal Preferences

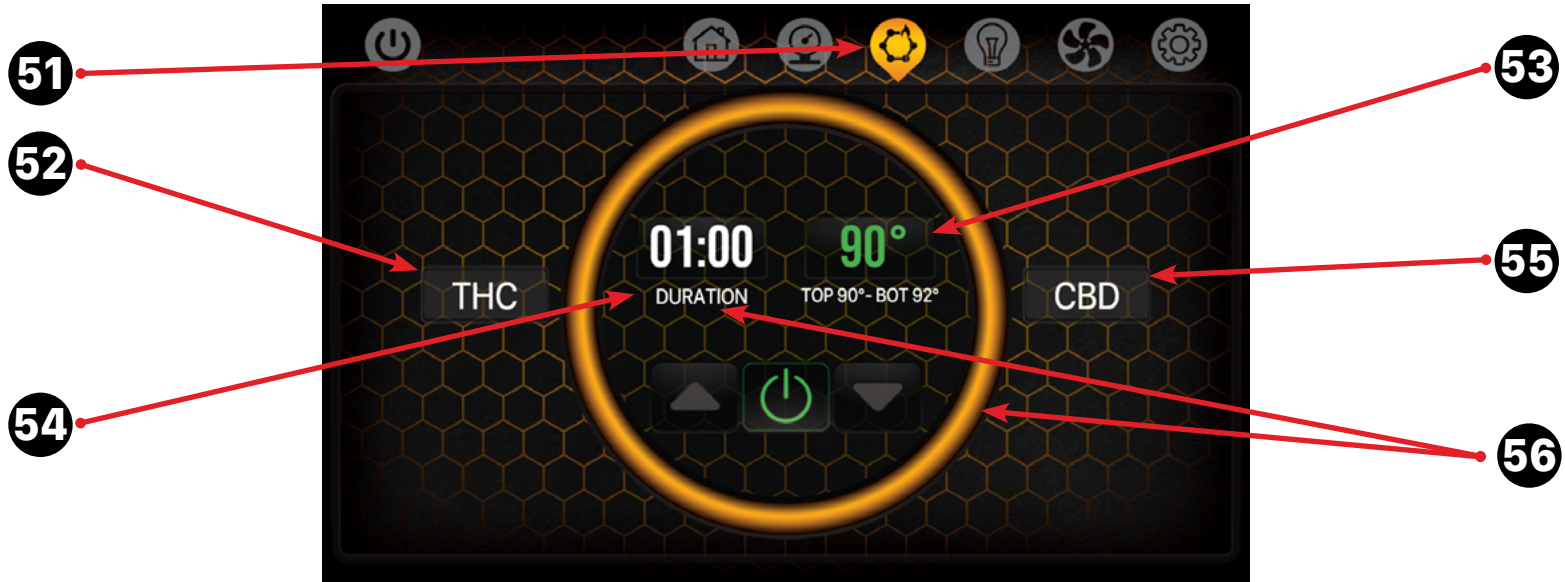
49. Timer format: MM:SS will indicate minute or seconds timer. SSSS will indicate all seconds.


50. Top and Bottom Heating Element: Turns one or both plates off.




DeCarb Mode

Decarb mode  can be found at the top of the home  and master extractor screen.



51. Decarb mode  is designed to be used with small or regular size NugSmasher decarb chambers only. Any other use is strictly prohibited and may cause bodily harm or damage to your unit not covered by warranty. The Decarb process is designed to activate the rosin and convert your rosin from THC to THCA or similarly with CBD to CBDA.

52. Open plates and place decarb capsule between parchment paper. Select THC or CBD product on screen button and preset temp and duration will appear that are ideal for THC. You can manually change this by touching time or duration to adjust to your own temp or duration preference. Once ready hit the Start  countdown timer.

53. Preset Temp. Large top number is set temp, smaller numbers under are

actual current plate temp for top and bottom.

54. Time duration countdown that also relates to outer count down circle. Once Duration is at 0 the plates will start auto cool down to 125 degrees.

55. CBD selection preset - same explanation as THC #51.

56. Once Duration is at 0 the fan will turn on, the timer ring will turn blue, and plates will start auto cool down to 125 degrees. Once your plate temps have reached 125 the plates will automaticall open. It is imperative you dont open prior to 125 degrees as the decarb chamber acts as a pressure cooker and serious bodily harm by way of rosin exploding out will occur if cool down process is not strictly followed.

Cleaning

Your NugSmasher IQ is built with a high grade food safe Stainless steel that can be easily scratched if cleaned improperly. Best practices are to use 99% isopropyl alcohol to clean up any rosin drips on stainless or aluminum heat plates with a clean micro fiber towel. Once removed alcohol can also be used to clean stainless body but better yet stainless steel spray polish can be found at most home appliance and home improvement stores like Home depot or Lowes. Please pay special attention to touch screen as you only want to use a mild window cleaner or alcohol solution to clean screen.

Troubleshoot Support

Your business and satisfaction is important to us at NugSmasher and we have made a monumental investment in our customer service staff at our factory where your machine was designed and built. Customer service is available 7 days a week via phone along with chat at NugSmasher.com, email at contact@NugSmasher.com. Any concerns trouble or feedback please contact us immediately at (928) 852-7489.

- Copyright © 2021 All rights reserved. No part of this manual may be reproduced or used in any manner without written permission of the copyright owner.
- The contents of this document may be subject to change without notice.
- Due to improvement or change of this device, the description of this document could be partially different in specification, for which your understanding is requested.
- With the exception of what is provided for in the warranty provisions of NugSmasher®, we do not assume any liability against the damages (including but not limited to the loss of profit, indirect damage, special damage or other monetary damages) arisen out of the use or failure to use this product properly. The same shall also apply to the case even if NugSmasher® had been notified of the possibility of arising damages in advance. As an example, we shall not be liable for any loss of material made using this product or indirect damages caused by the product.
- Use of your NugSmasher® press should be done in accordance with all local, state and federal regulations. It is owner/users responsibility to know and understand laws and regulations regarding concentrates. NugSmasher® has no responsibility of how product is used and products produced with it.

- Keep away from children, pets and clothing.
- Never leave the extractor on when you go to sleep or leave the area.
- Never use or store flammable liquids (such as gasoline) around the extractor. The flammable vapors can flow from one part of the room to another and be ignited by an electrical spark.
- Place at least three feet away from objects such as bedding, furniture and drapes. Do not place where towels or other objects could fall on the extractor and start a fire.
- Use extractor on the floor or bench top. Never place on furniture, since unit may fall , which could result in a fire or shock hazard. Do not use in wet or moist places, such as bathrooms; corrosion or other damage to parts in the unit may lead to a fire or shock hazard.
- Do not hide cords under rugs or carpets. Placing anything on top of the cord or unit as it could cause the cord or machine to overheat, and can cause a fire.
- Do not use an extension cord unless absolutely necessary. Using a light-duty, household extension cord with high-wattage appliances can start a fire. If you must use an extension cord, it must be marked #14 or #12 AWG; this tells the thickness or gauge of the wire in the cord. Do not use a cord marked #16 or #18 AWG. Only use extension cords bearing the label of an independent testing laboratory such a U.L. or E.T.L.
- Be sure the plug fits snugly in the outlet. Since a loose plug can overheat, have a qualified repairman replace the worn-out plug or outlet. Since extractor draw lots of power, the cord and plug may feel warm. If the plug feels hot, unplug the heater and have a qualified repairman check for problems. Using an extractor with a hot cord or plug could start a fire.
- If a extractor is used on an outlet protected by a ground fault circuit interrupter (GFCI) and the GFCI trips, do not assume the GFCI is broken. Because GFCIs protect the location where leakage currents can cause a severe shock, stop using the extractor and have it checked, even it if seems to be working properly.
- Broken extractor should be checked and repaired by a qualified service center. Do not attempt to repair, adjust or replace parts yourself as this will void warranty.



ROSIN MADE SIMPLE