

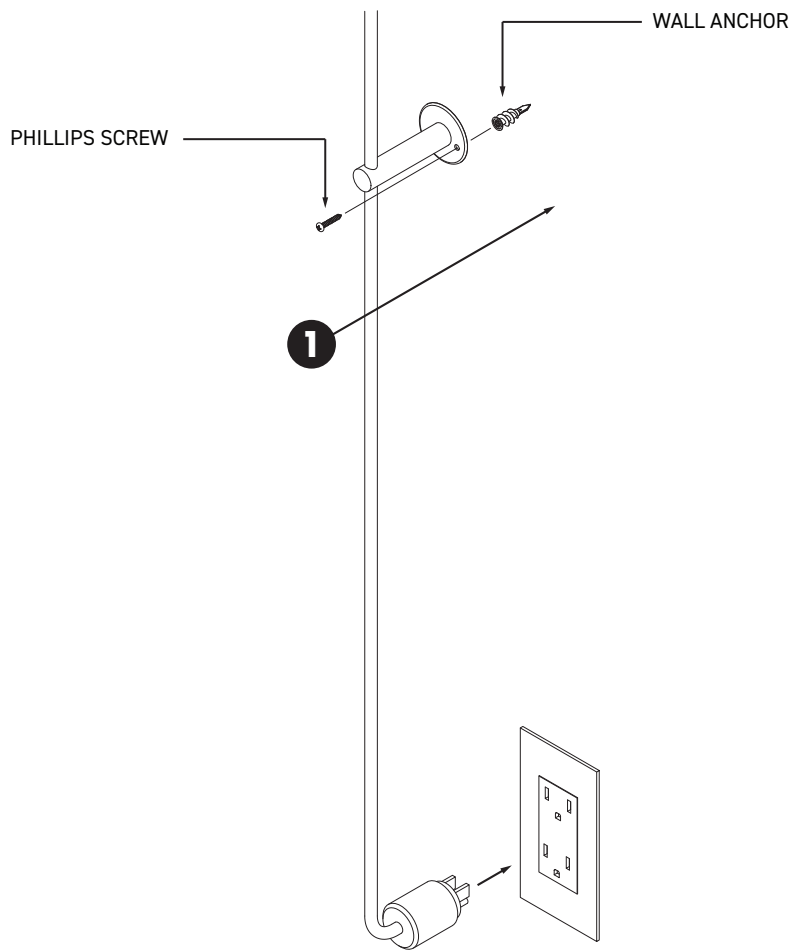
HUMANHOME.CO

R53

PAGE INTENTIONALLY LEFT BLANK

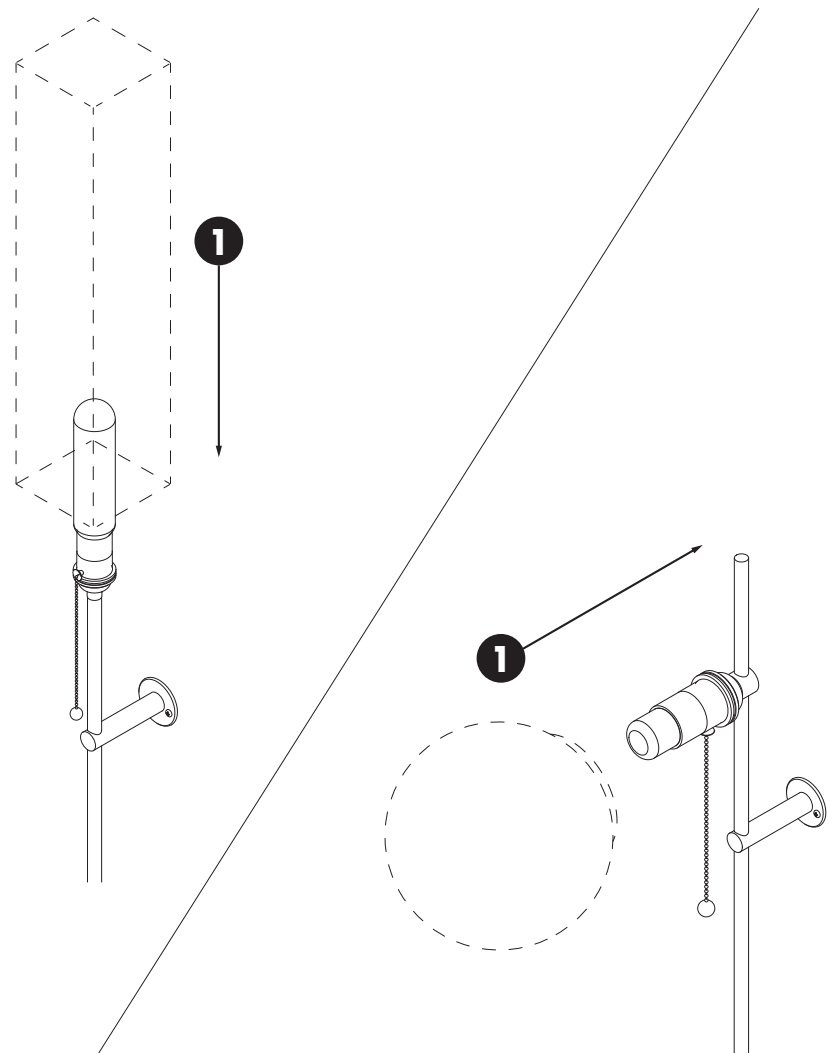
**PLUG LAMP
INSTALLATION INSTRUCTIONS**

**WWW.HUMANHOME.CO
CUSTOMERCARE@HUMANHOME.CO**



1. Install lamp body onto wall with provided hardware.

1



1. Attach lamp shade to socket to complete assembly.

2