

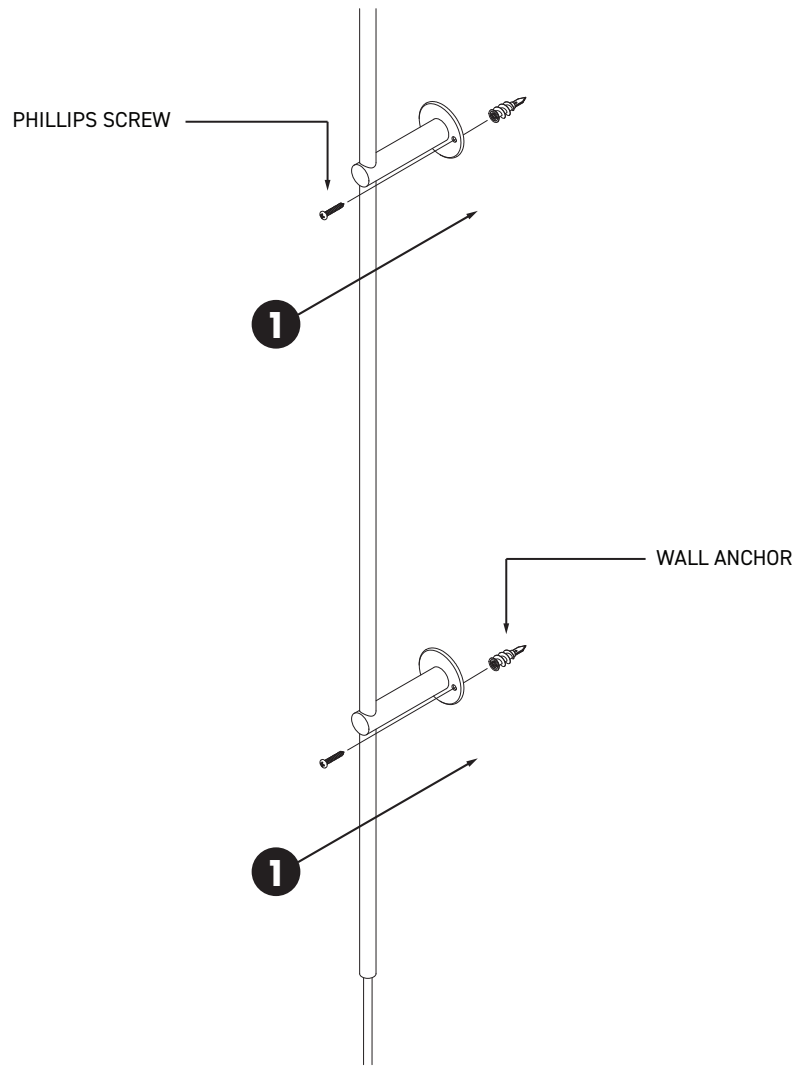
**HUMANHOME.CO**

R52

PAGE INTENTIONALLY LEFT BLANK

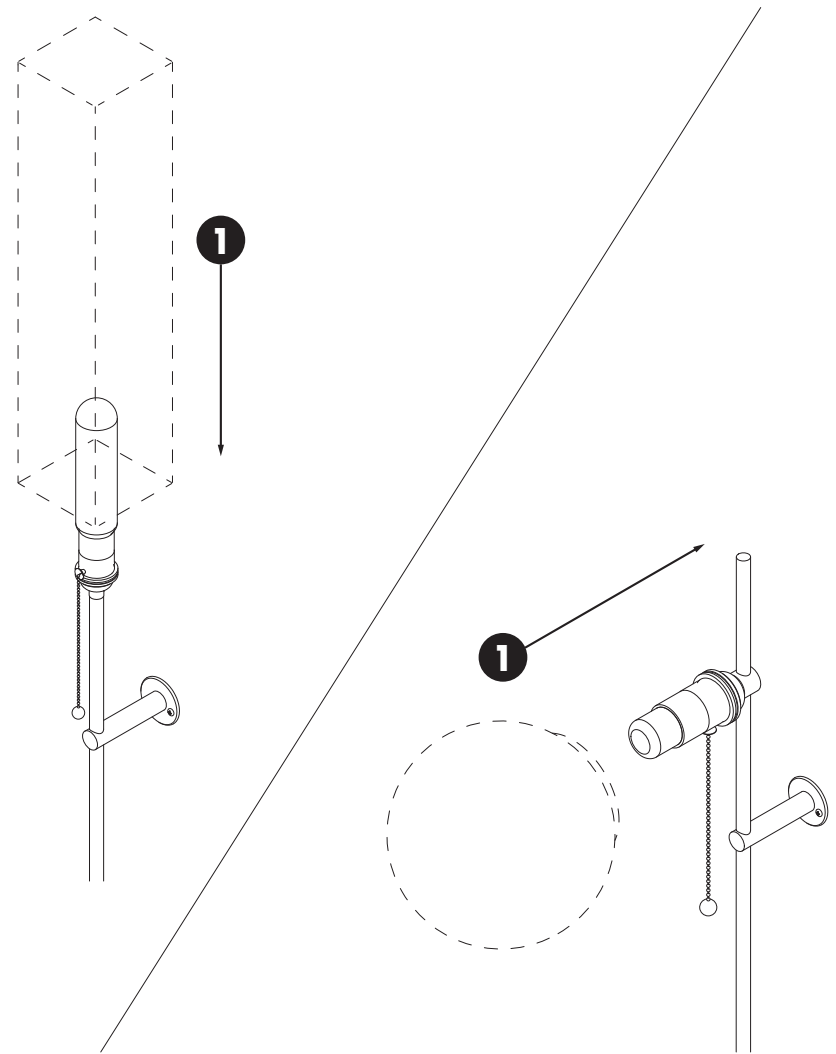
**WIRED PLUG LAMP  
INSTALLATION INSTRUCTIONS**

**WWW.HUMANHOME.CO  
CUSTOMERCARE@HUMANHOME.CO**



1. Install lamp body onto wall with provided hardware.

1



1. Attach lamp shade to socket to complete assembly.

2