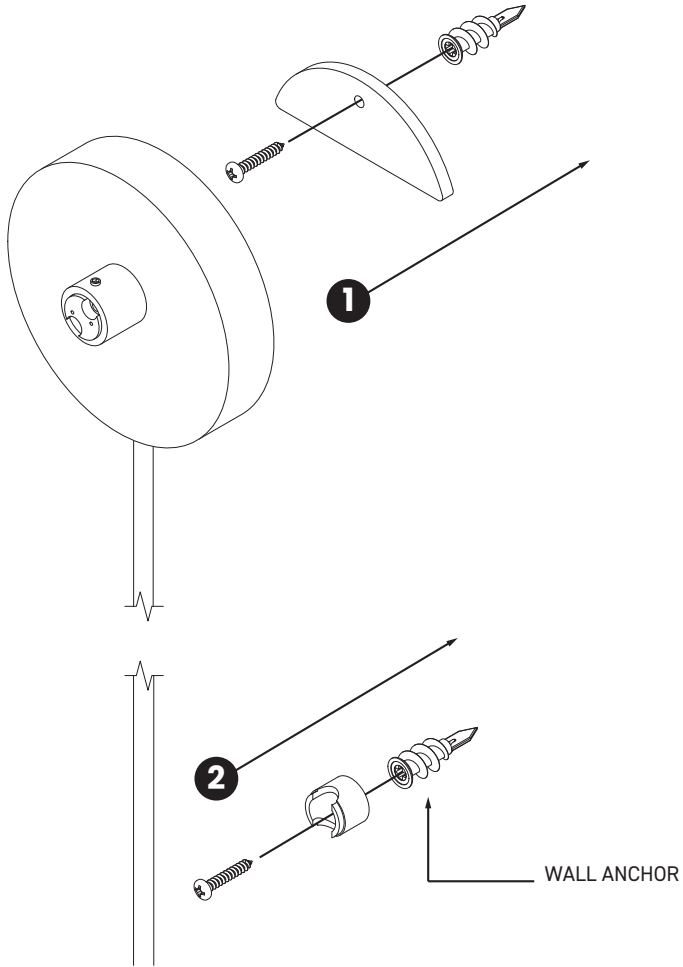


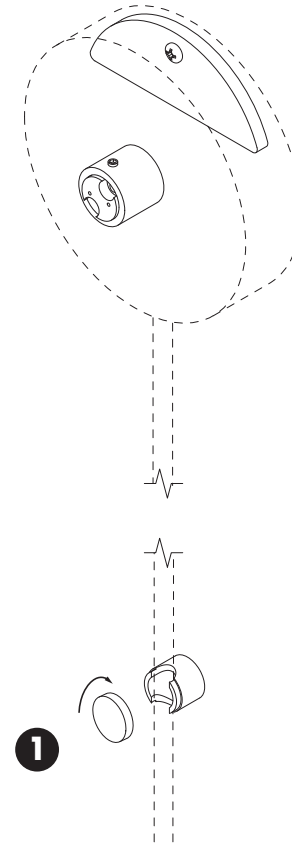
1. Insert bulb and attach magnetic lamp shade to complete assembly

WIRED WALL MOUNT INSTALLATION INSTRUCTIONS



1. Measure desired height (6ft from floor recommended) and install wall mount with provided hardware. Place lamp body assembly onto wall mount.
2. Measure desired height (1ft from floor recommended) and install cord holder with provided hardware

1



1. Straighten cord and secure onto holder

2