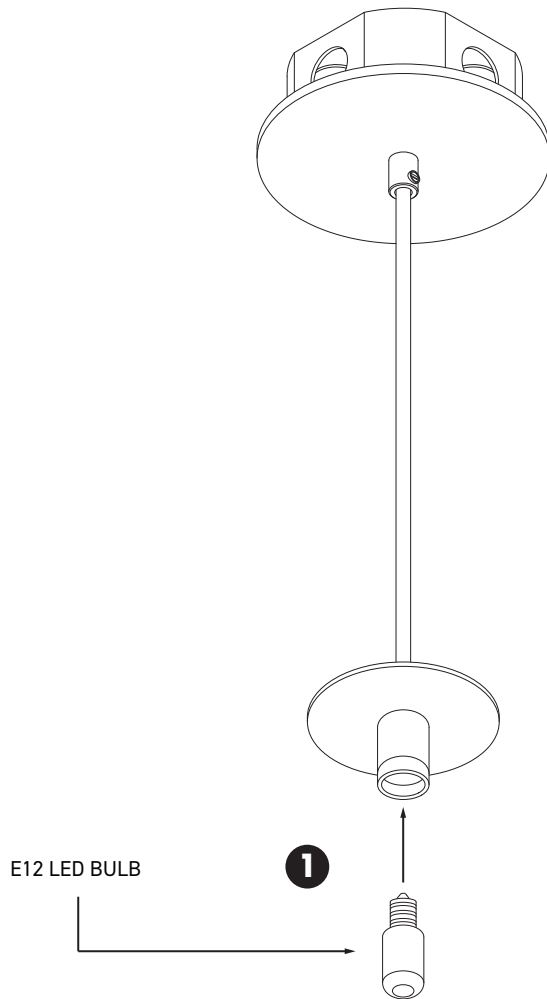


HUMANHOME.CO

R46



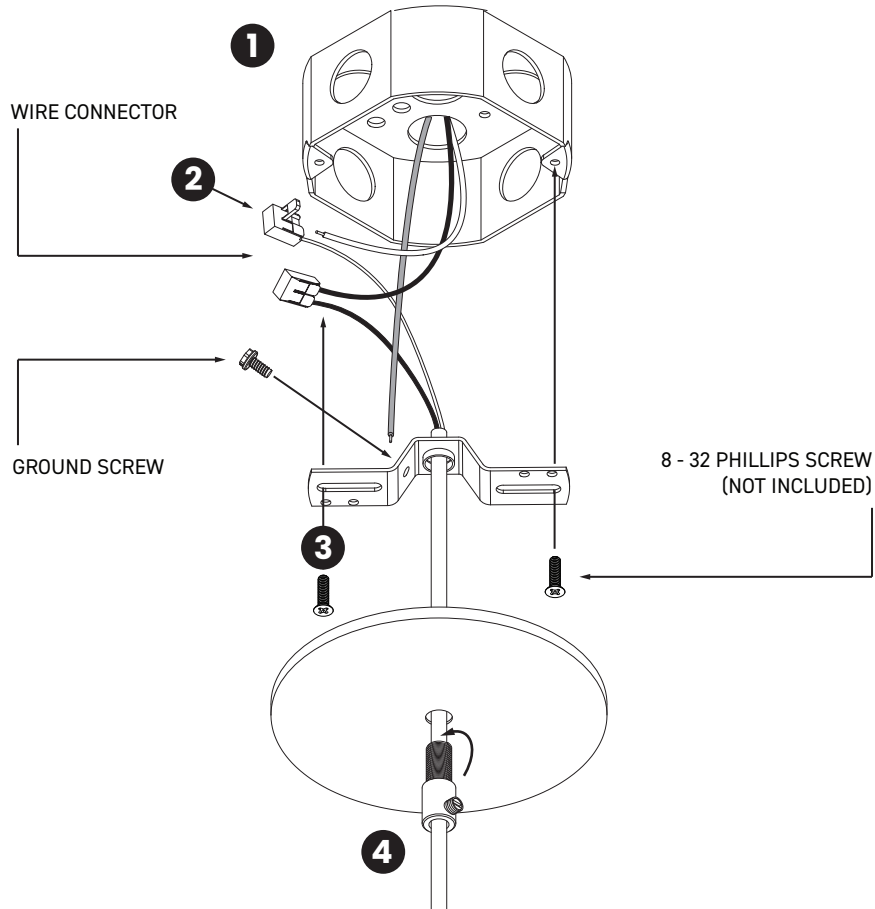
## PENDANT INSTALLATION INSTRUCTIONS

1. Insert bulb and attach magnetic lamp shade to complete assembly

**CAUTION:** Before starting, turn off power at main circuit panel.

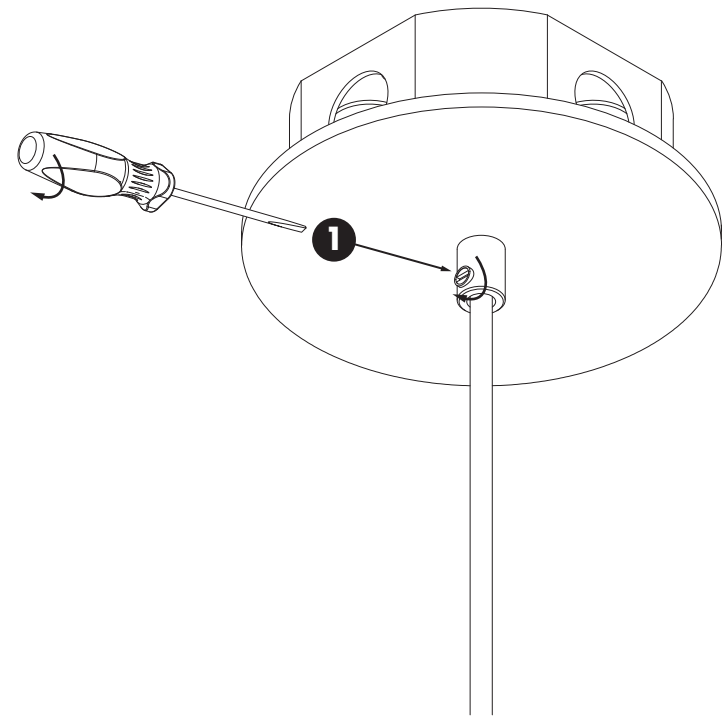
**ADVERTENCIA:** Antes de comenzar la instalacion, apague la corriente en el tablero principal.

**ATTENTION:** Coupez l'alimentation avant de proceder a l'installation.



1. Adjust cord to desired length then cut and prepare wires
2. Connect wires together using included wire connectors
  - A. LIVE wire to BLACK wire
  - B. NEUTRAL wire to WHITE wire
  - C. GROUND wire to GREEN screw
3. Fasten crossbar to junction box
4. Fasten threaded strain relief to crossbar

1



1. Tighten strain relief set screw

2