

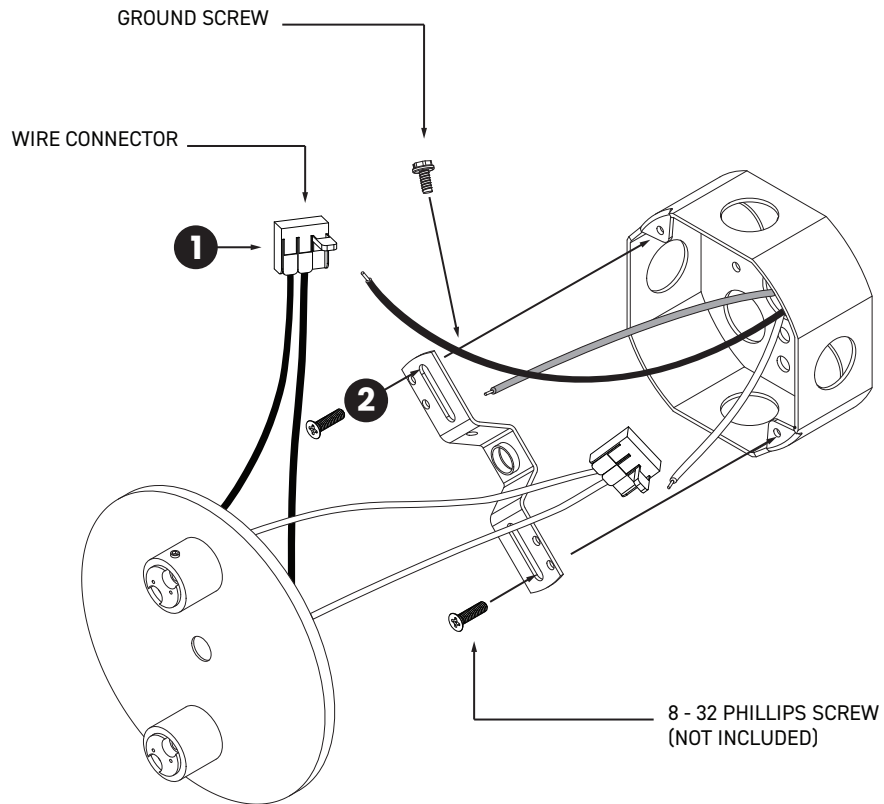
WALL MOUNT INSTALLATION INSTRUCTIONS

1. Insert bulb and attach magnetic lamp shade to complete assembly

CAUTION: Before starting, turn off power at main circuit panel.

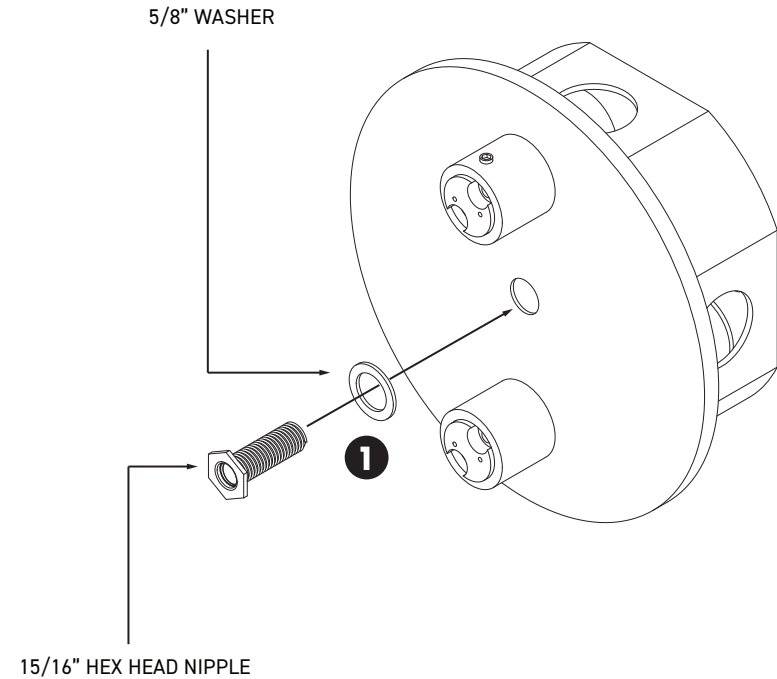
ADVERTENCIA: Antes de comenzar la instalacion, apague la corriente en el tablero principal.

ATTENTION: Coupez l'alimentation avant de proceder a l'installation.



1. Connect wires together using included wire connectors
 - A. LIVE wire to BLACK wire
 - B. NEUTRAL wire to WHITE wire
 - C. GROUND wire to GREEN screw
2. Fasten crossbar to junction box

1



1. Align backplate and fasten to crossbar

2