

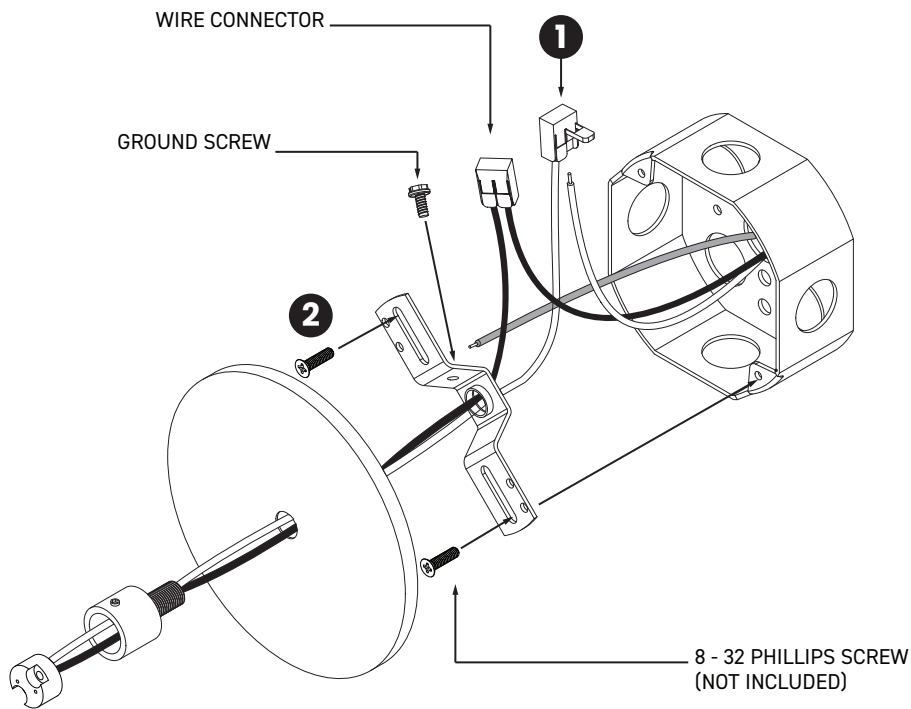
1. Press in socket and tighten set screw with flat head screwdriver
2. Insert bulb and attach magnetic lamp shade to complete assembly

## WALL MOUNT INSTALLATION INSTRUCTIONS

**CAUTION:** Before starting, turn off power at main circuit panel.

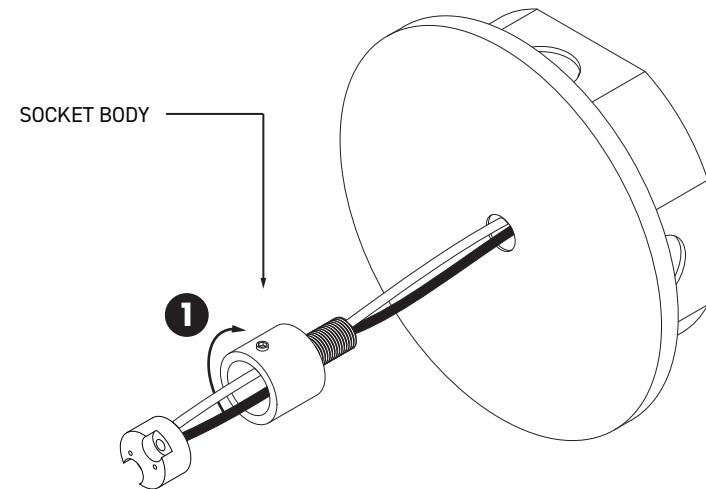
**ADVERTENCIA:** Antes de comenzar la instalacion, apague la corriente en el tablero principal.

**ATTENTION:** Coupez l'alimentation avant de proceder a l'installation.



1. Connect wires together using included wire connectors
  - A. LIVE wire to BLACK wire
  - B. NEUTRAL wire to WHITE wire
  - C. GROUND wire to GREEN screw
2. Fasten crossbar to junction box

1



1. Align backplate and fasten socket body to crossbar

2