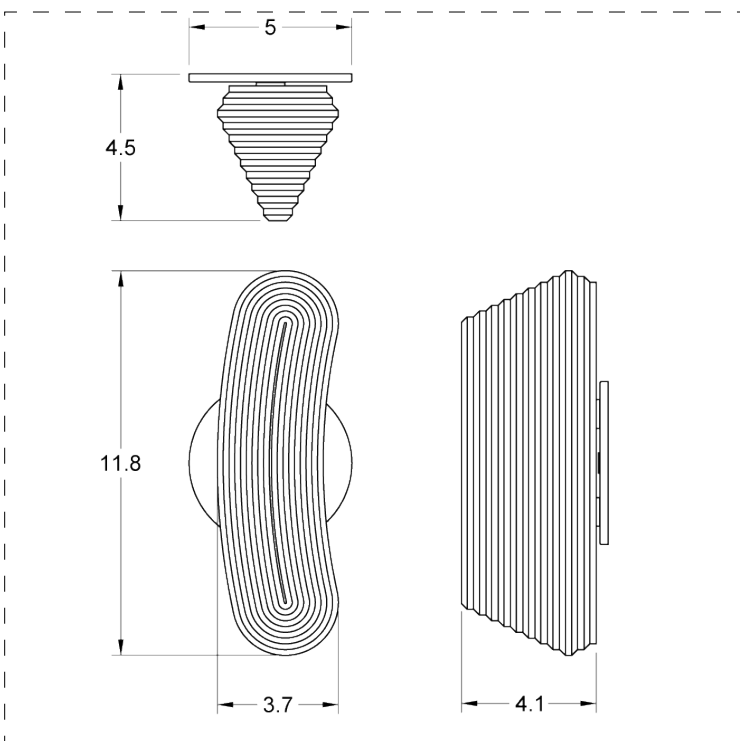




MARII SCONCE

DATE CREATED: MAR. 2023

Marii Sconce is an interplay between the bold lines of Egyptian motifs and the sweeping curves of art deco style. This interaction creates a balance between ancient timelessness and a playful modernism that is reminiscent of the cosmopolitan spirit of the art deco era. Marii evokes a symphony of movement and rhythm with its smooth gentle curve. The asymmetric quality allows the user to orientate it however they please in order to achieve various appearances. Made up of engineered polymer, its textured surface adds to the terrace form to give it an extra layer of depth. Marii's influence between the ancient and the modern makes it fitting for a 1920s jazz club or a contemporary bright playful home.



SPECIFICATIONS

| | |
|-----------------|---------------------------------------|
| Materials: | Engineered Polymer, Finished Steel |
| Application: | Wall Mount |
| Type: | Hardwired |
| Light Source: | Max 7W Type G8 |
| Bulb(s): | G8 2.5W LED, 2700K, 90+ CRI, Dimmable |
| Certifications: | UL and cUL Listed |
| Dimensions: | L 4.1" x W 3.7" x H 11.8" |
| Weight: | 1.29 lbs |

FINISH

Marii Sconce Brushed Bronze
Marii Sconce Satin Nickel

MARI-SC-01M-03
MARI-SC-07M-03