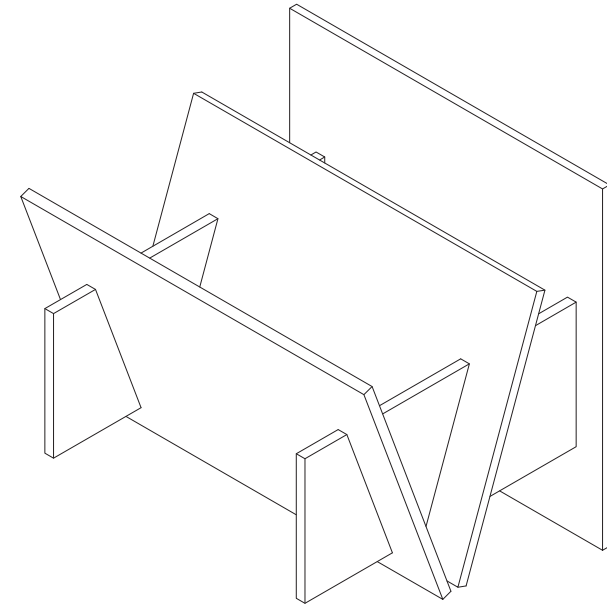


HUMAN HOME

Lith Sconce



PAGE INTENTIONALLY LEFT BLANK



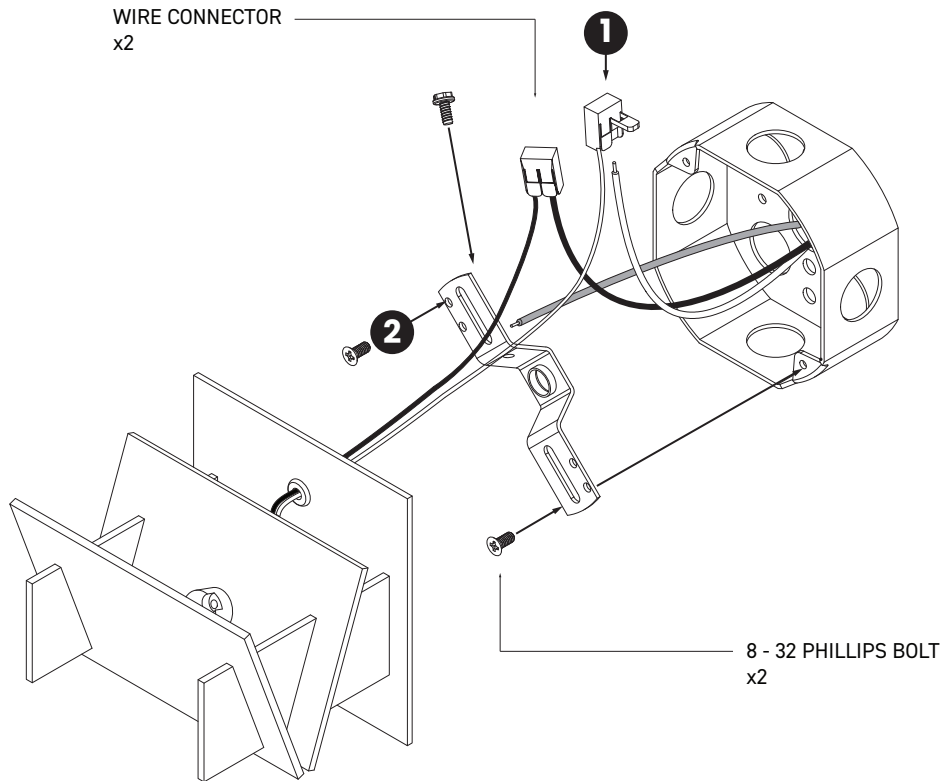
CAUTION:
Before starting, turn off power
at main circuit panel.

ATTENTION:
Coupez l'alimentation avant
de proceder a l'installation.

ADVERTENCIA:
Antes de comenzar la instalacion,
apague la corriente en el tablero
principal.

WARNING!

BEFORE STARTING, TURN OFF POWER AT MAIN CIRCUIT BREAKER

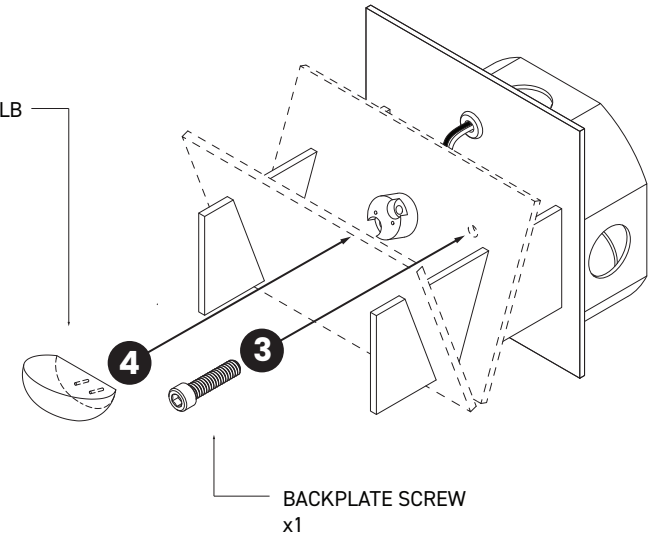


1. Connect wires together using wire connector

- Black wire to black wire (LIVE)
- White wire to white wire (NEUTRAL)
- Green wire to green screw (GROUND)

2. Screw 4" mount to junction box with supplied flat head bolts

G8 LED BULB
x1



3. Screw in back plate screw to attach lamp to junction box

4. Insert bulb to complete installation