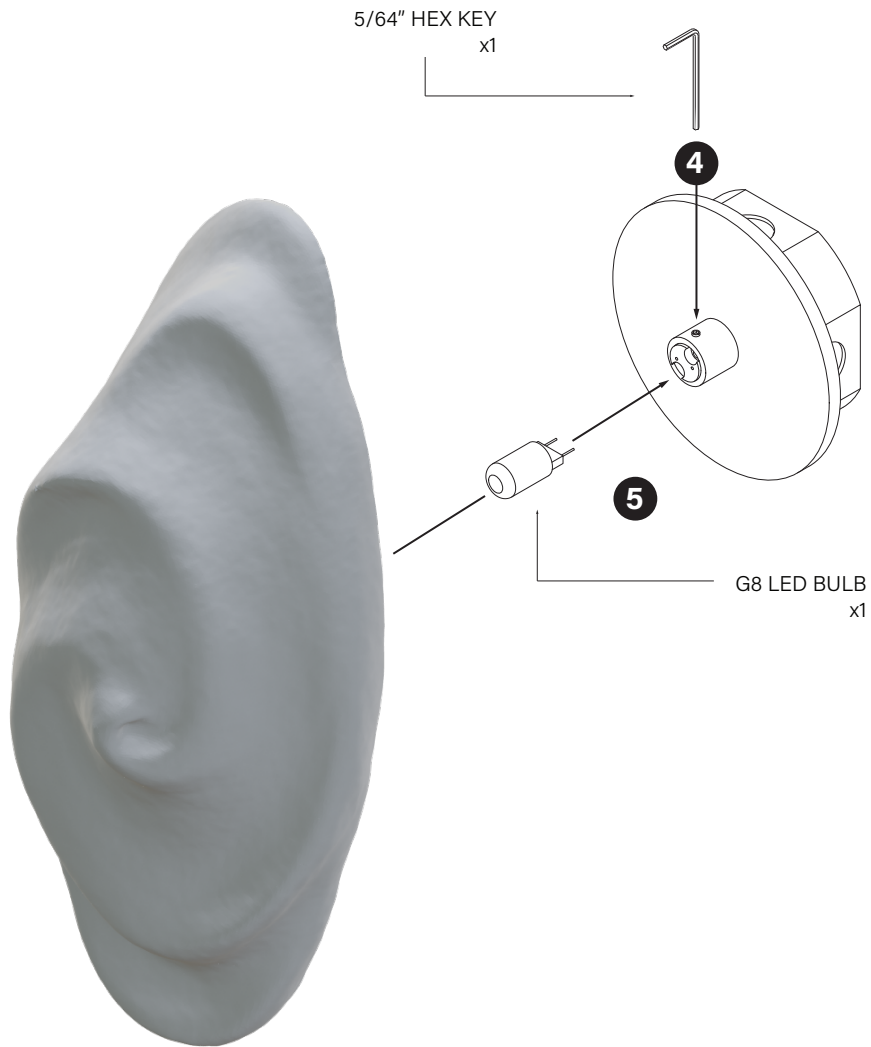


4. Press in socket and tighten set screw with supplied hex key
5. Insert bulb and attach magnetic lamp shade to complete assembly



**HENRII**  
(ohm-rē)

CHIGNON NO.8 SCONCE



WE ARE HERE TO HELP  
CONTACT US AT HENRII.COM

DATE CREATED: APR. 2023



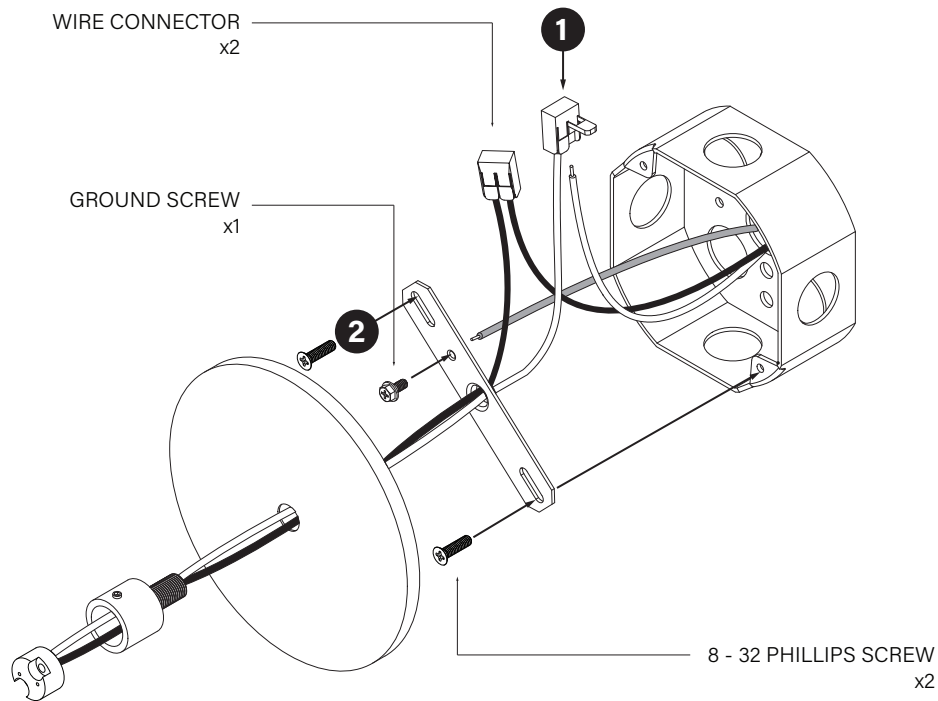
**CAUTION:**  
Before starting, turn off power  
at main circuit panel.

**ATTENTION:**  
Coupez l'alimentation avant  
de proceder a l'installation.

**ADVERTENCIA:**  
Antes de comenzar la  
instalacion, apague la corriente  
en el tableroprincipal.

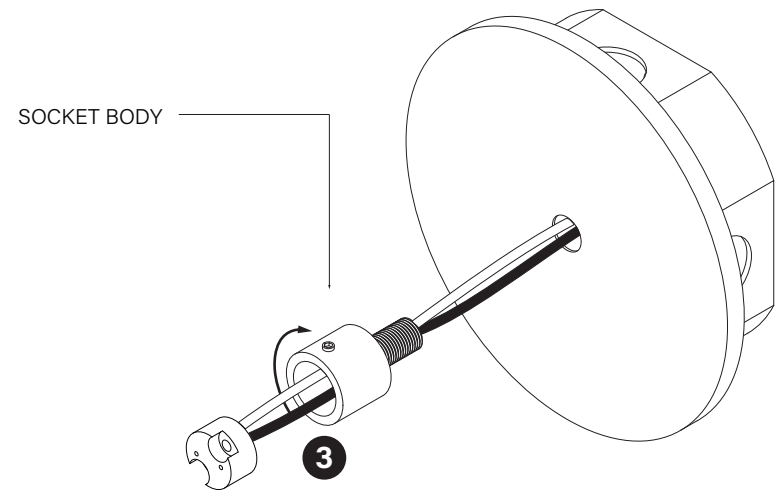
# WARNING!

BEFORE STARTING, TURN OFF POWER AT MAIN CIRCUIT BREAKER



1. Connect wires together using wire connector
  - Black wire to black wire (LIVE)
  - White wire to white wire (NEUTRAL)
  - Green wire to green screw (GROUND)
2. Screw 4" crossbar to junction box with supplied phillips head screws

1



3. Align metal backplate and screw socket body to crossbar

2