

CY+ Sconce Wired Plug-in



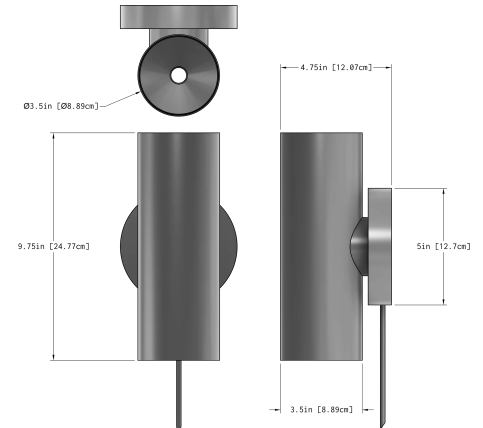
A circle is a symbol that represents notions of wholeness, perfection, eternity, and timelessness. CY Collection is a simple rendition of the purest shape, elongated into a cylinder. Despite its apparent simplicity, the subtle design intricacies make it a more engaging piece to examine. As the form comes to an end the edge gracefully curves inward, drawing the eye towards its sleek form as it swoops in with effortless fluidity. The surface interior is set apart from the exterior with a slightly rougher bumper texture. The back structure of the sconce allows for the light to live off the backplate as an independent object, while also giving it a stable foundation that grounds the piece. All these details and ideas come together to form a complete product. In essence, a cylinder is not just a shape but a reminder of beauty in simplicity.

DETAILS

MATERIALS: Engineered Polymer, Steel
APPLICATION: Wall Mount
TYPE: Wired Plug-in
SWITCH: ON/OFF Toggle (located 24" from lampshade)
SOCKET: Type G8, Max 7W
LIGHT SOURCE: G8 4.5W, 90+ CRI, 410 lm

DIMENSIONS

DIMENSIONS: L 4.75" x W 3.5" x H 9.75"
WIRE LENGTH: 96"
WEIGHT: 2.48 lbs



FINISH:

- Brushed Bronze
- Satin Nickel

VOLTAGE:

- 120V (North America)
- 220V-240V (International)