



12" CYLINDER PLANTER

DESCRIPTION

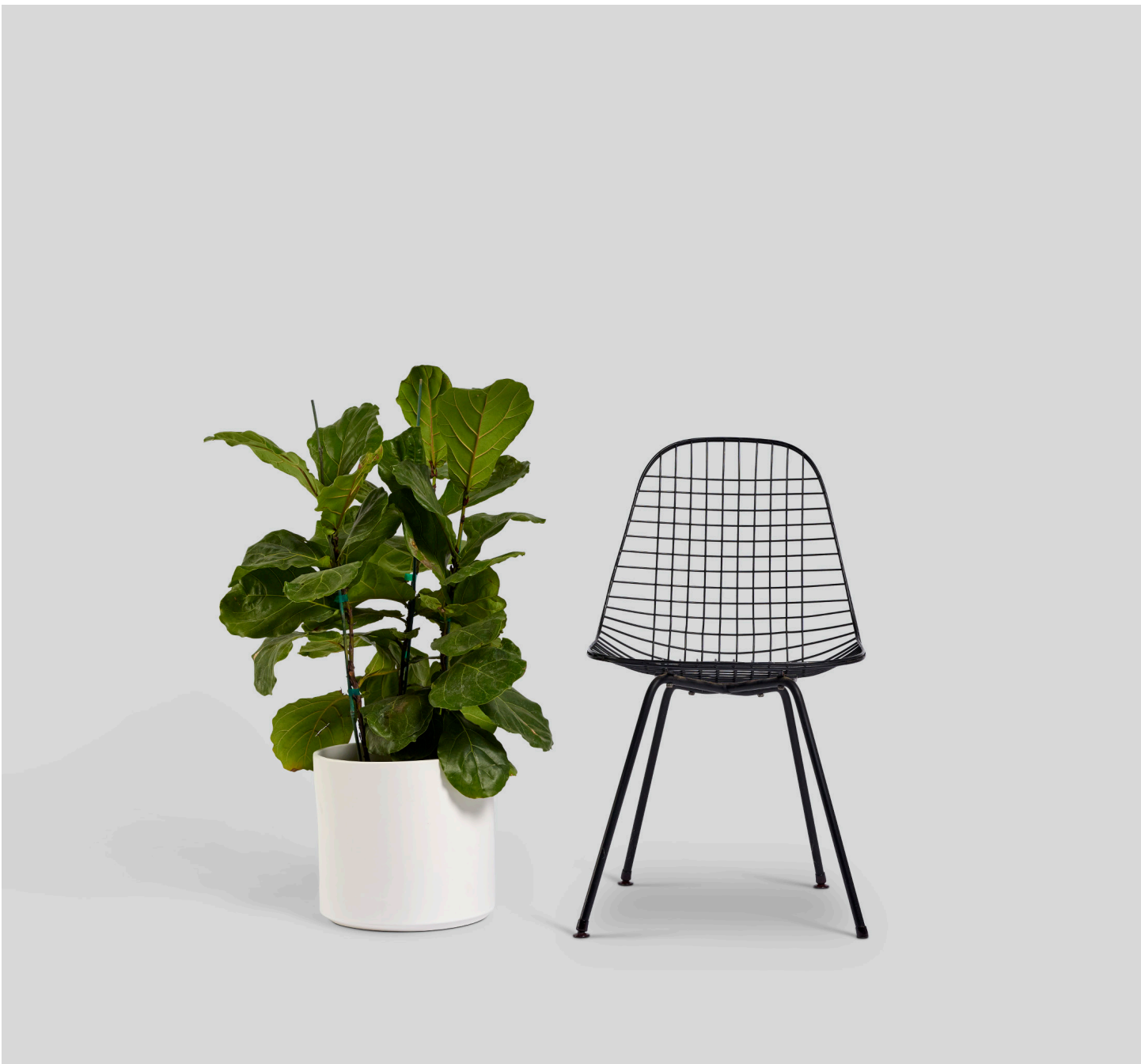
Cast and hand finished in the U.S.A., our earthenware cylinder planters are the perfect accent piece for any space.

MATERIALS

- High fired earthenware
- Glazed on the inside (Unglazed Optional)
- No drainage hole (Drainage Hole Optional)

DIMENSIONS & WEIGHT

WxDxH
12 1/2" x 12 1/2" x 12"
15 lbs





12" CYLINDER PLANTER

Matte White



12" CYLINDER PLANTER
Matte Black

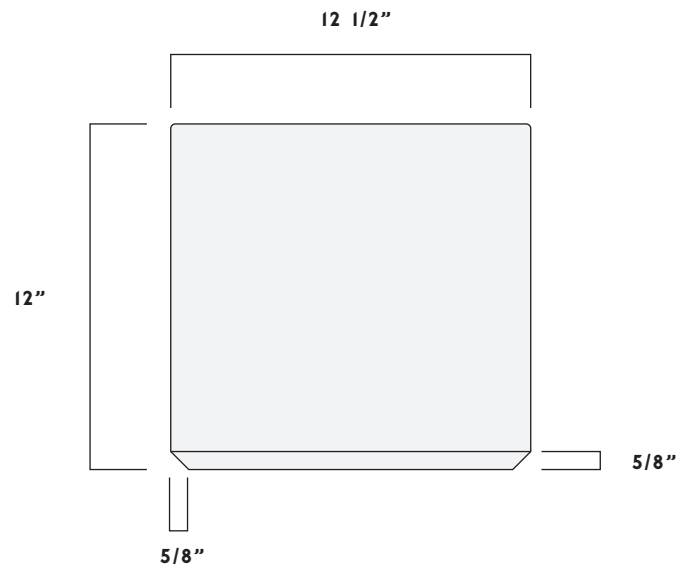


12" CYLINDER PLANTER

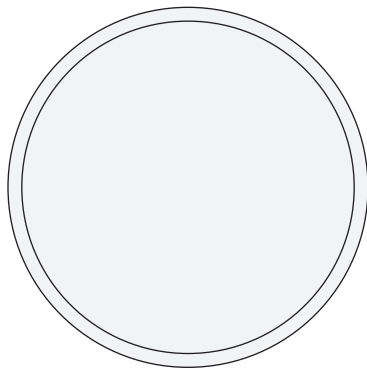
Matte Terracotta



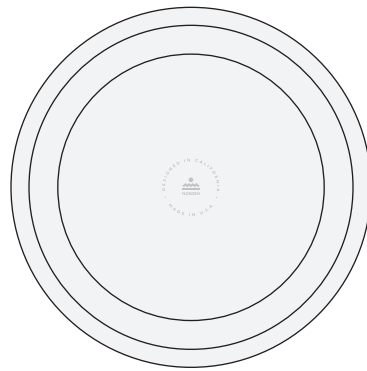
SIDE



TOP



BOTTOM



FOR MORE INFO

Visit nordengoods.com or email sales@nordengoods.com