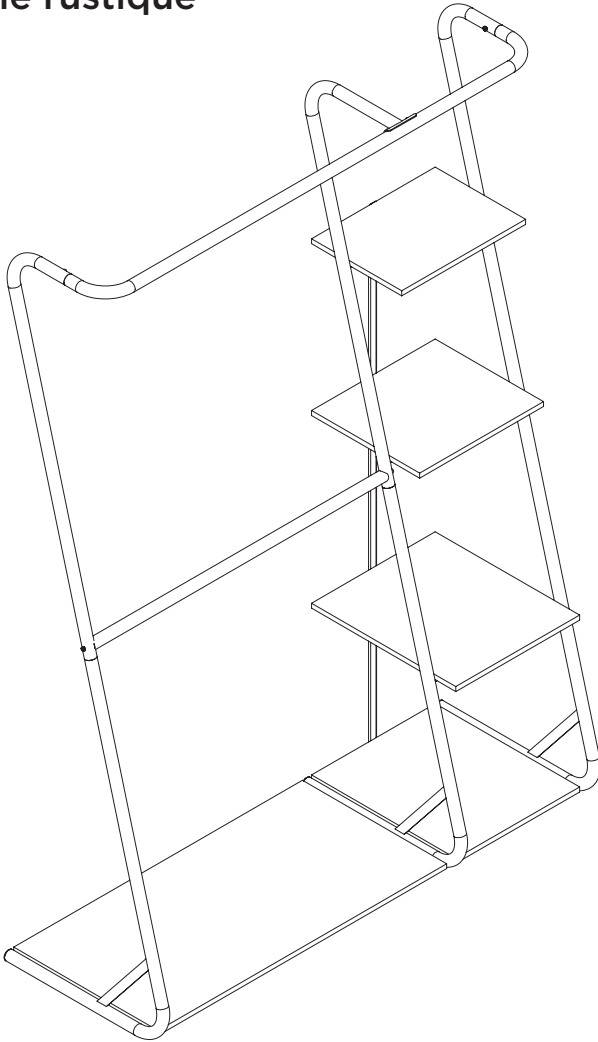






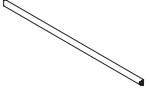
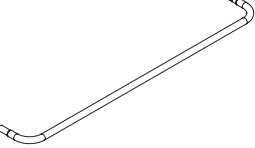



rustic wardrobe
rústico armario
penderie rustique

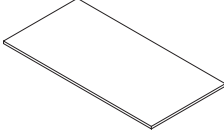
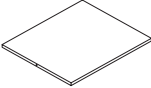
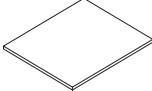
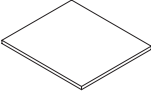
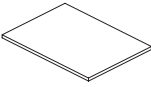



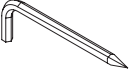


48 in L x 17.32 in W x 68 in H
121.92 cm L x 43.99 cm W x 172.72 cm H

PARTS LIST

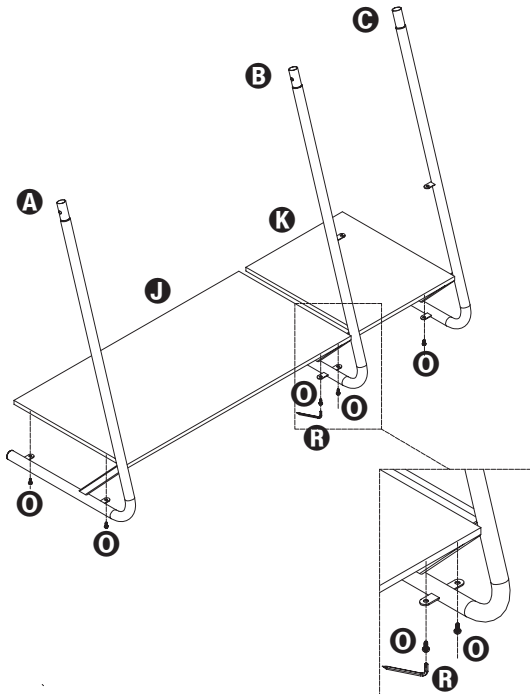
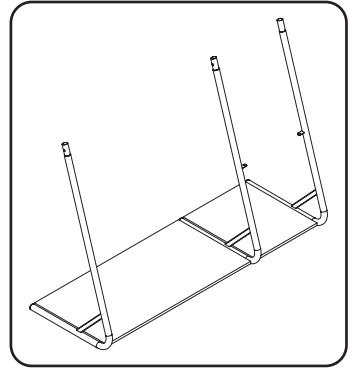
PART/ILLUSTRATION	(QTY)	DESCRIPTION
A -left 	(1)	left frame marco izquierdo cadre gauche
B 	(1)	middle frame marco derecho cadre droite
C -right 	(1)	right frame marco derecho cadre droite
D -left 	(1)	left upper frame marco superior izquierdo cadre supérieur gauche
E 	(1)	middle upper frame cuadro superior medio cadre central supérieur
F -right 	(1)	right upper frame marco derecho superior cadre supérieur droit
G 	(1)	support bar barra soporte barre support
H 	(1)	top horizontal bar barra horizontal superior barre horizontale haut
I 	(1)	vertical support soporte vertical support vertical

PARTS LIST

PART/ILLUSTRATION	(QTY)	DESCRIPTION
J 	(1)	shelf estante étagère
K 	(1)	shelf estante étagère
L 	(1)	shelf estante étagère
M 	(1)	shelf estante étagère
N 	(1)	shelf estante étagère
O  (M6 x 1 x 12mm)	(19)	pan head, hex socket screws tornillo de cabeza hexagonal vis à tête creuse à six pans
P  (M6 x 1 x 40mm)	(2)	pan head, hex socket screws tornillo de cabeza hexagonal vis à tête creuse à six pans
Q  (M3 x 16mm)	(4)	truss head, philips recess, wood screws cabeza de celosía, ranura phillips, tornillos para madera tête en treillis, empreinte phillips, vis à bois
R 	(1)	hex wrench llave hexagonal clé hexagonale

ASSEMBLY

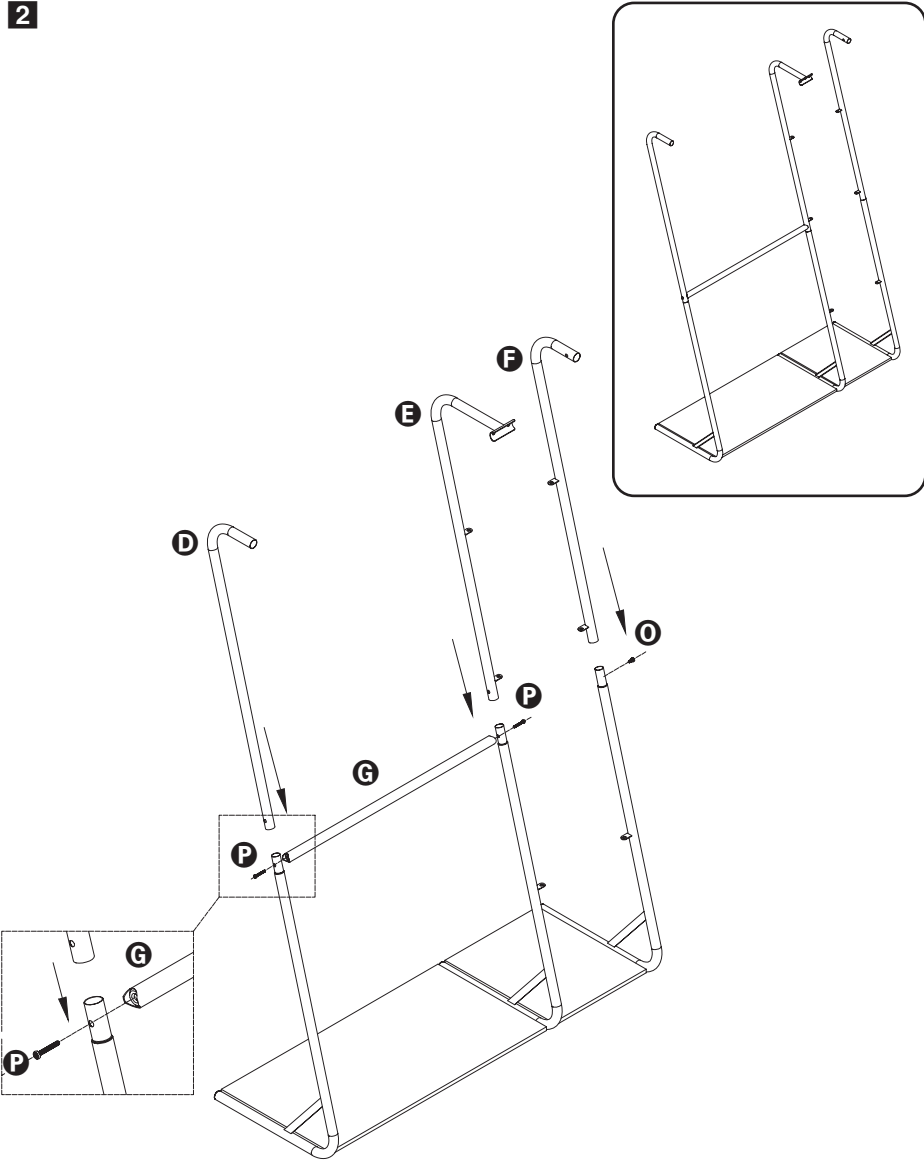
1



Do not tighten the screws fully until you are finished!

ASSEMBLY

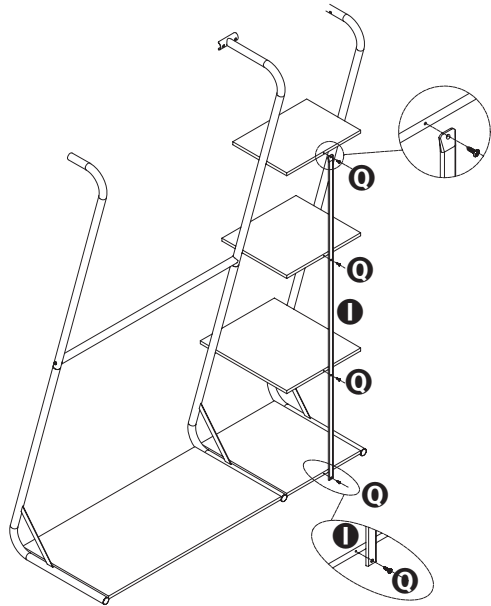
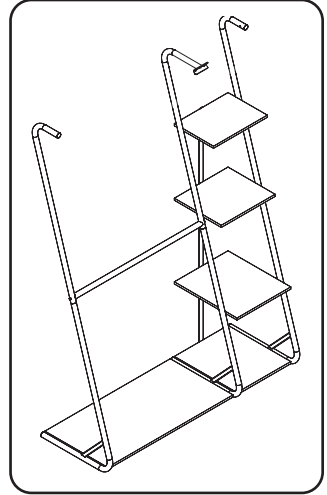
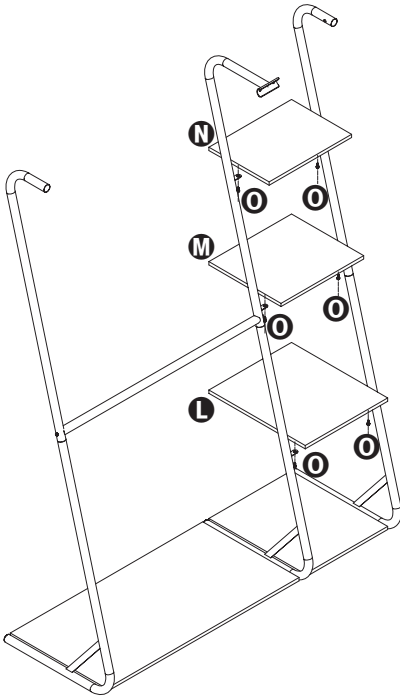
2



Do not tighten the screws fully until you are finished!

ASSEMBLY

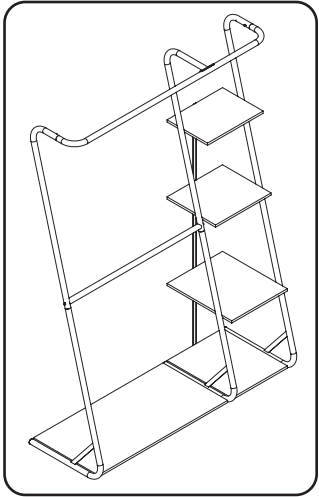
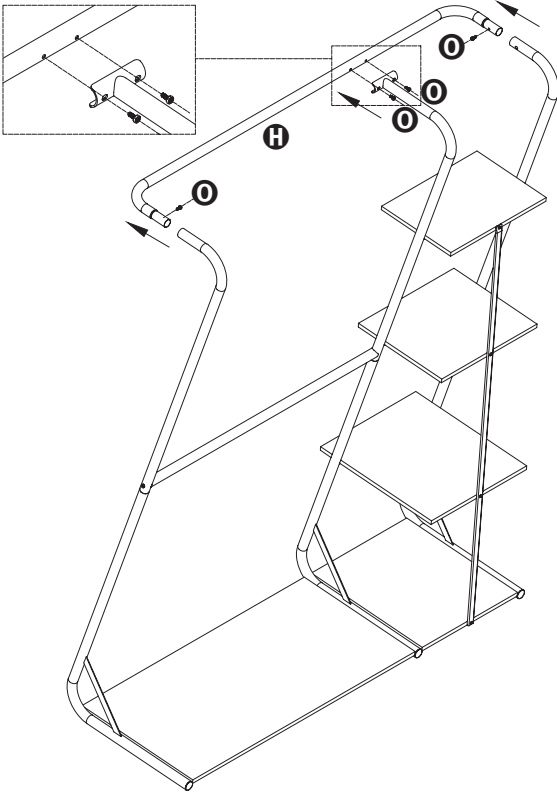
3



Do not tighten the screws fully until you are finished!

ASSEMBLY

4



Do not tighten the screws fully until you are finished!



YOUR SOURCE FOR
ORGANIZATION,
STORAGE & STYLE

Honey-Can-Do International

5300 St. Charles Road, Berkeley, IL 60163 USA
877.242.2636 | honeycando.com | customerservice@honeycando.com
©2020 Honey-Can-Do International, LLC | All Rights Reserved

PATENT PENDING | PATENTE PENDIENTE | BREVET EN ATTENTE

Visit [youtube.com/myhoneycando](https://www.youtube.com/myhoneycando) to watch our assembly videos.