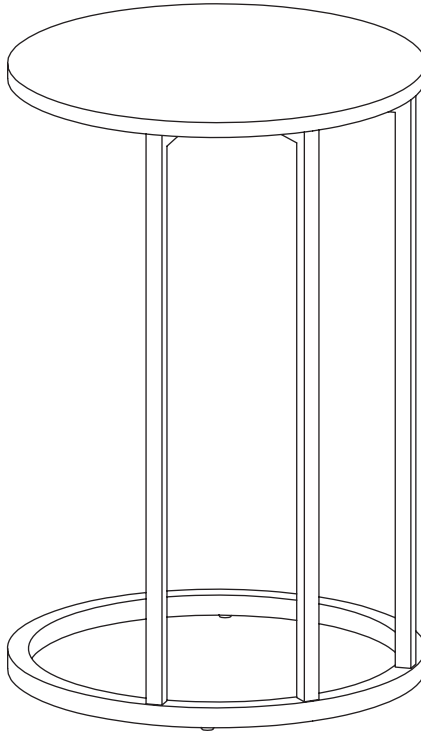




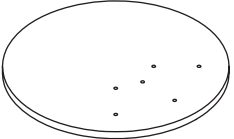
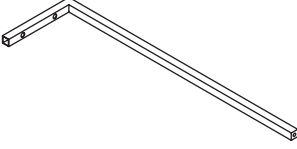
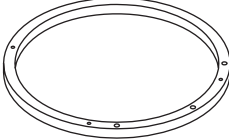
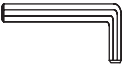
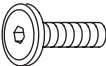
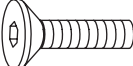
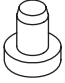

TBL-09245  
TBL-09246

## round c-end table



**16 in L x 16 in W x 24 in H**

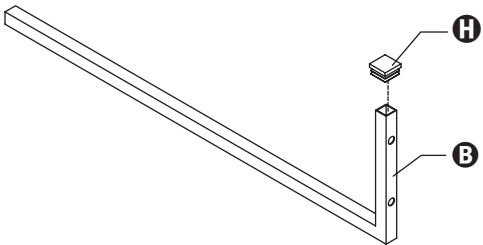
# PARTS LIST

PART/ILLUSTRATION	(QTY)	DESCRIPTION
<b>A</b> 	(1)	top
<b>B</b> 	(3)	side frames
<b>C</b> 	(1)	base frame
<b>D</b> 	(1)	hex wrench
<b>E</b> 	(6)	pan head, hex socket screws (1/4" x 25 mm)
<b>F</b> 	(3)	flat head, hex socket screws (1/4" x 32 mm)
<b>G</b> 	(4)	hex socket head connector nut (12mm)
<b>H</b> 	(3)	flat end caps (15.8mm sq)

**ATTENTION: USE THE CARTON AS A WORKING SURFACE TO PREVENT TABLE-TOP DAMAGE DURING ASSEMBLY.**

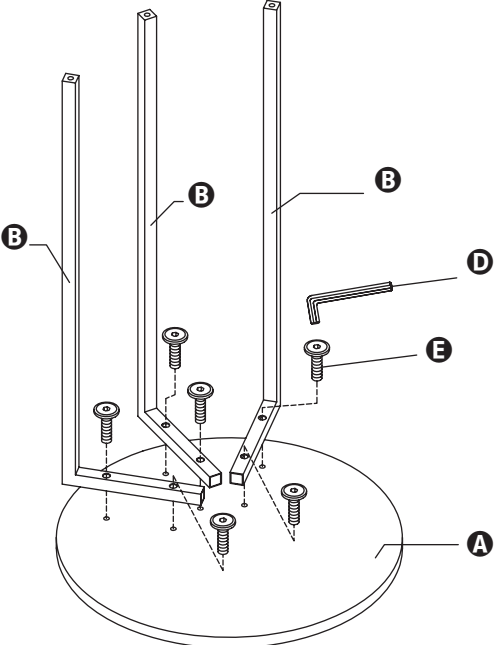
# ASSEMBLY

**1** NOTE: do not tighten bolts until all have been started.

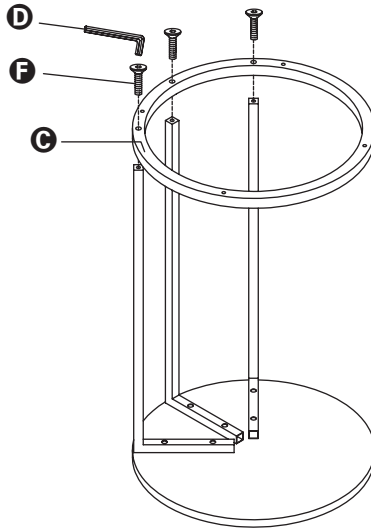


Repeat for all 3 side frames.

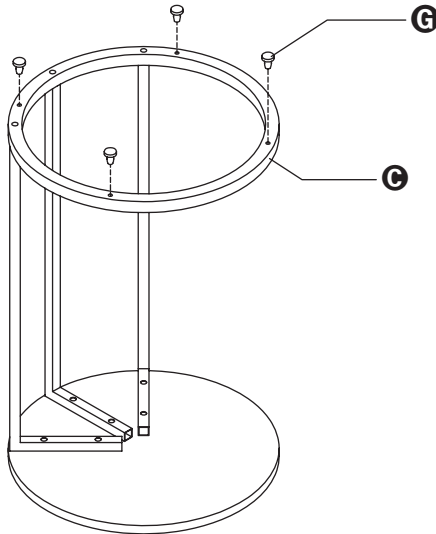
**2**



3



4



**Honey-Can-Do International**

5300 St. Charles Road, Berkeley, IL 60163 USA  
877.242.2636 | [honeycando.com](http://honeycando.com) | [support@honeycando.com](mailto:support@honeycando.com)  
©2021 Honey-Can-Do International, LLC | All Rights Reserved

Visit [youtube.com/myhoneycando](https://www.youtube.com/myhoneycando) to watch our assembly videos.