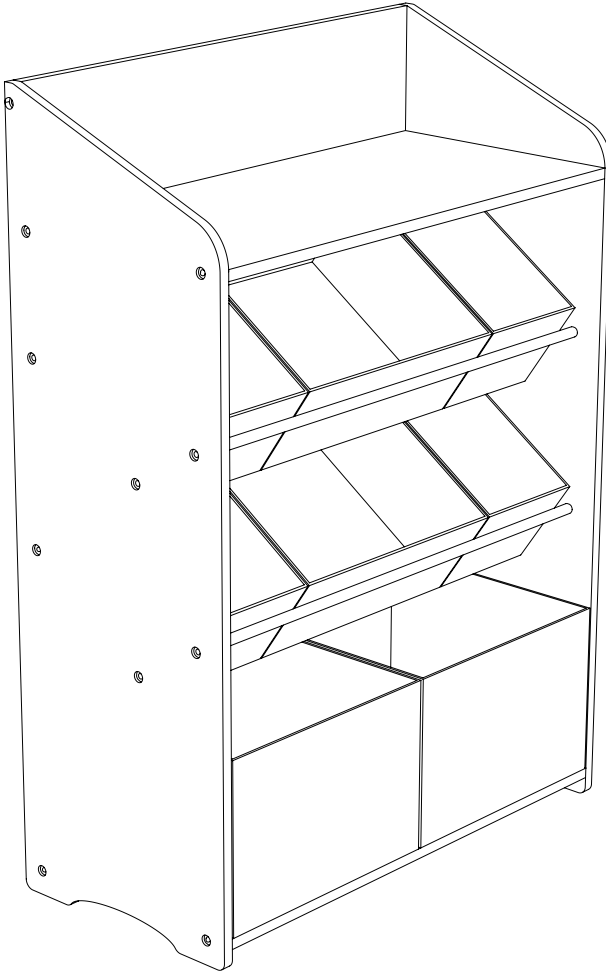
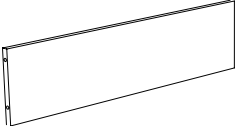
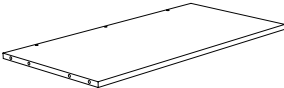
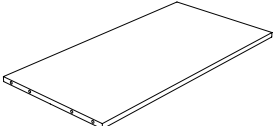

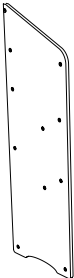
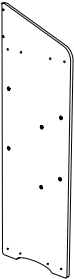
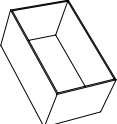
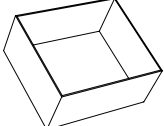


# toy organizer organisateur de jouets

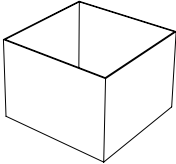


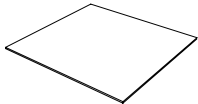
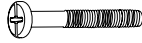





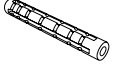
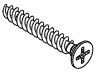


**27.75 in L x 13 in W x 47.64 in H / 70.49 cm L x 33.02 cm W x 121 cm H**

# PARTS LIST

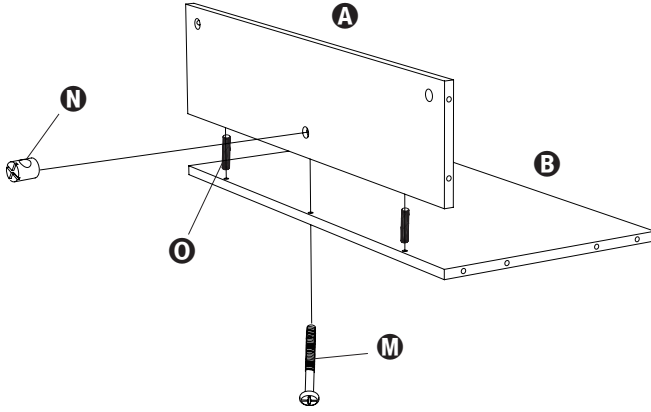
PART/ILLUSTRATION	(QTY)	DESCRIPTION
<b>A</b> 	(1)	back board arrière planche
<b>B</b> 	(1)	top shelf étagère supérieure
<b>C</b> 	(1)	bottom shelf étagère inférieure
<b>D</b> 	(6)	bars barres
<b>E</b> 	(1)	side board planche latérale
<b>F</b> 	(1)	side board planche latérale
<b>G</b> 	(4)	small bin petit bac
<b>H</b> 	(2)	medium bin moyen bac

# PARTS LIST

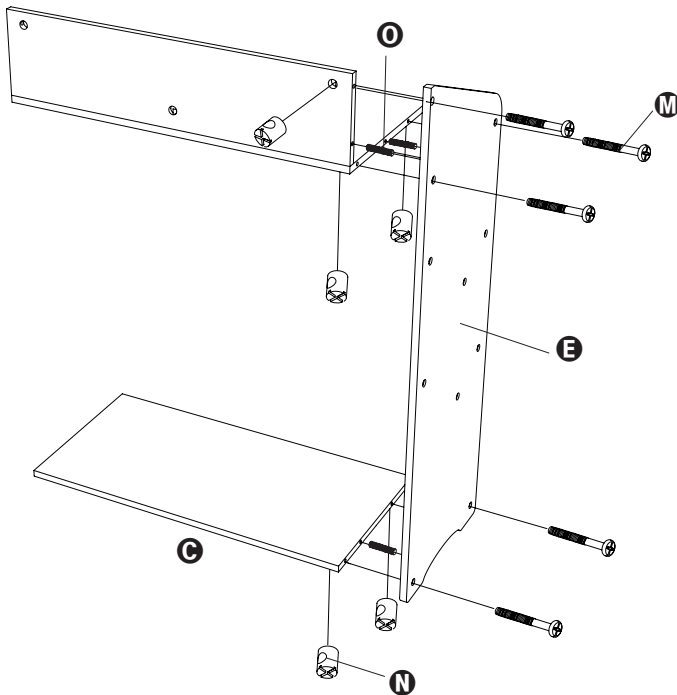
PART/ILLUSTRATION	(QTY)	DESCRIPTION
<b>I</b> 	( 2 )	large bin grand bac
<b>J</b> 	( 4 )	small bin insert petit encart bac
<b>K</b> 	( 2 )	medium bin insert moyen encart bac
<b>L</b> 	( 2 )	large bin insert grand encart bac
<b>M</b> 	( 11 )	button head, combination recess screws (M6 x 1 x 40mm) tête ronde, vis à empreinte combinées (M6 x 1 x 40mm)
<b>N</b> 	( 11 )	cam nut écrou de came
<b>O</b> 	( 12 )	wood dowel goujon en bois
<b>P</b> 	( 12 )	pan head, philips recess screws (M6 x 1 x 20mm) tête cylindrique, vis à empreinte cruiforme (M6 x 1 x 20mm)
<b>Q</b> 	( 2 )	bracket le support
<b>R</b> 	( 2 )	truss head, philips recess, wood screws (M4 x 12mm) tête de ferme, empreinte cruiforme, vis à bois (M4 x 12mm)
<b>S</b> 	( 2 )	anchor ancre
<b>T</b> 	( 2 )	flat head, philips recess, self-tapping screws (M4 x 35mm) tête plate, empreinte cruiforme, vis autotaraudeuses (M4 x 35mm)

# ASSEMBLY

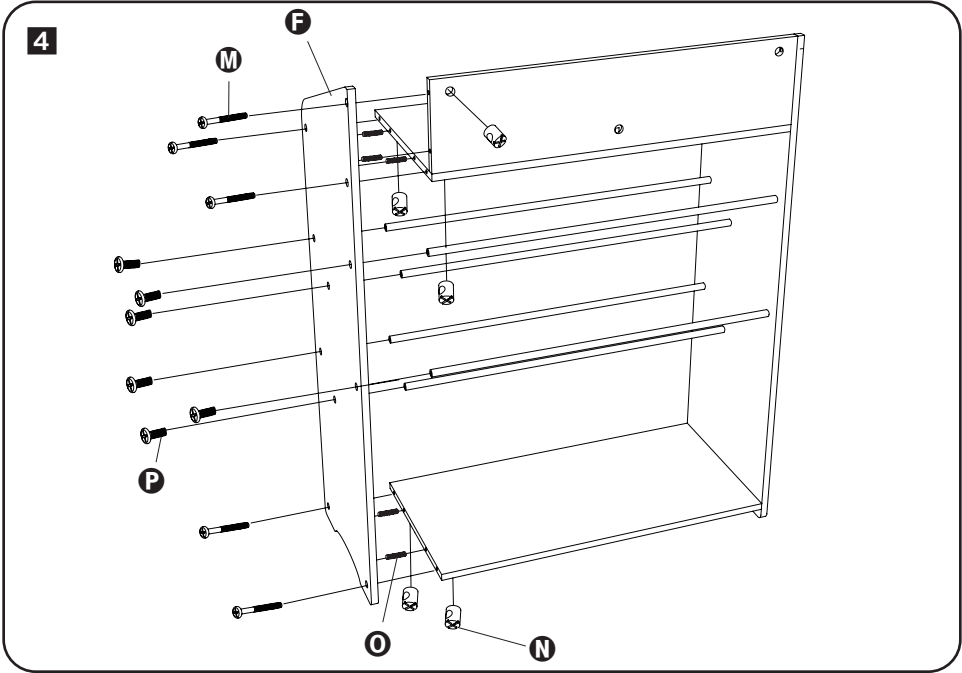
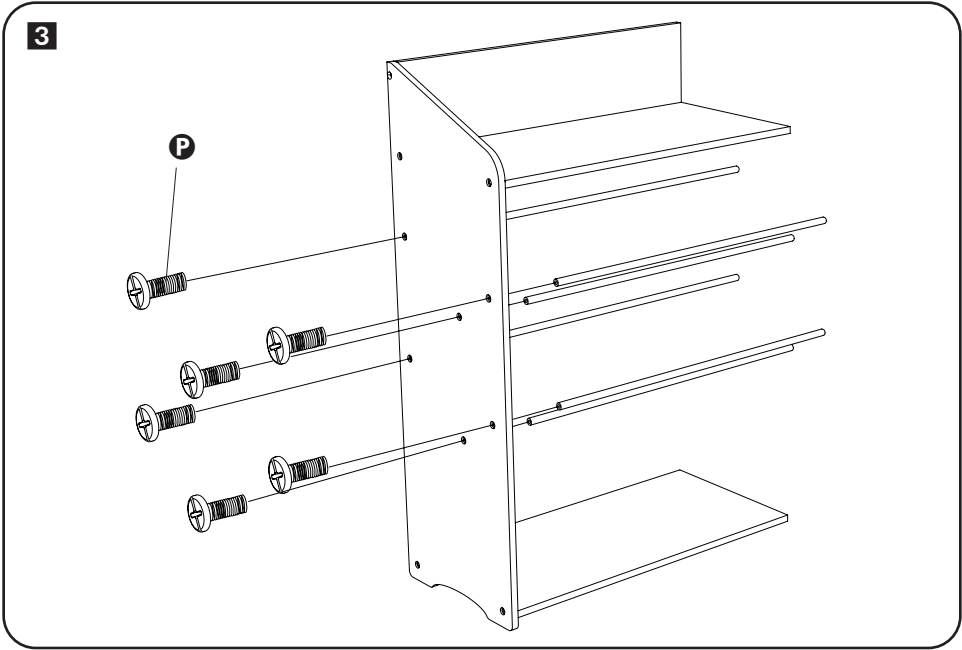
1



2

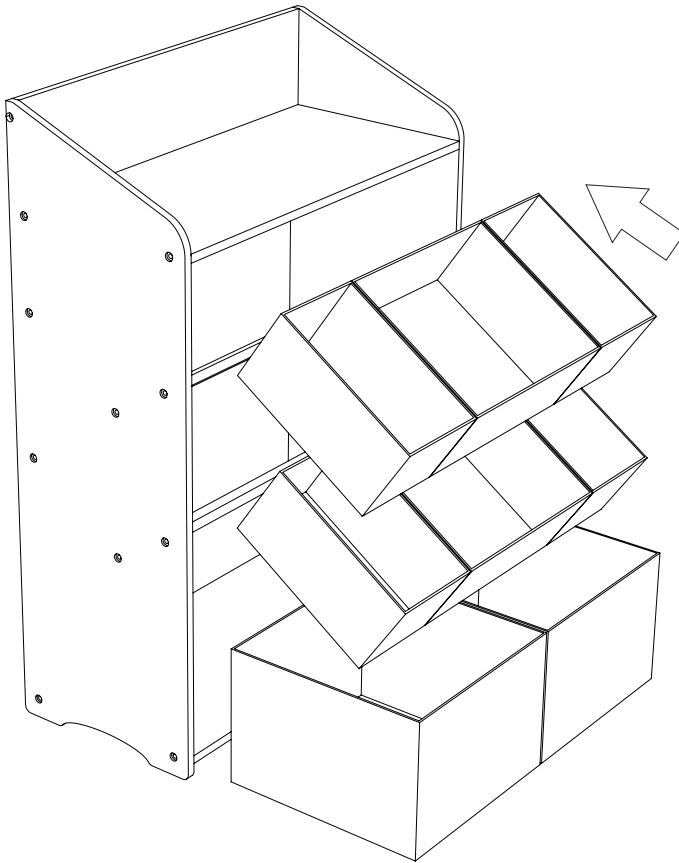
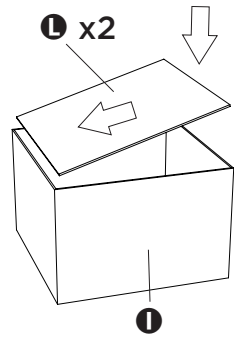
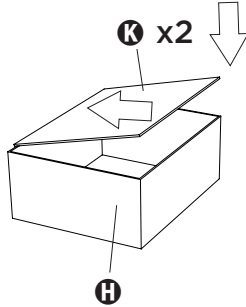
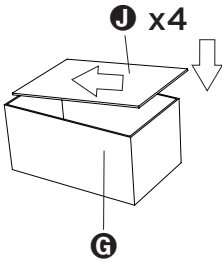


# ASSEMBLY



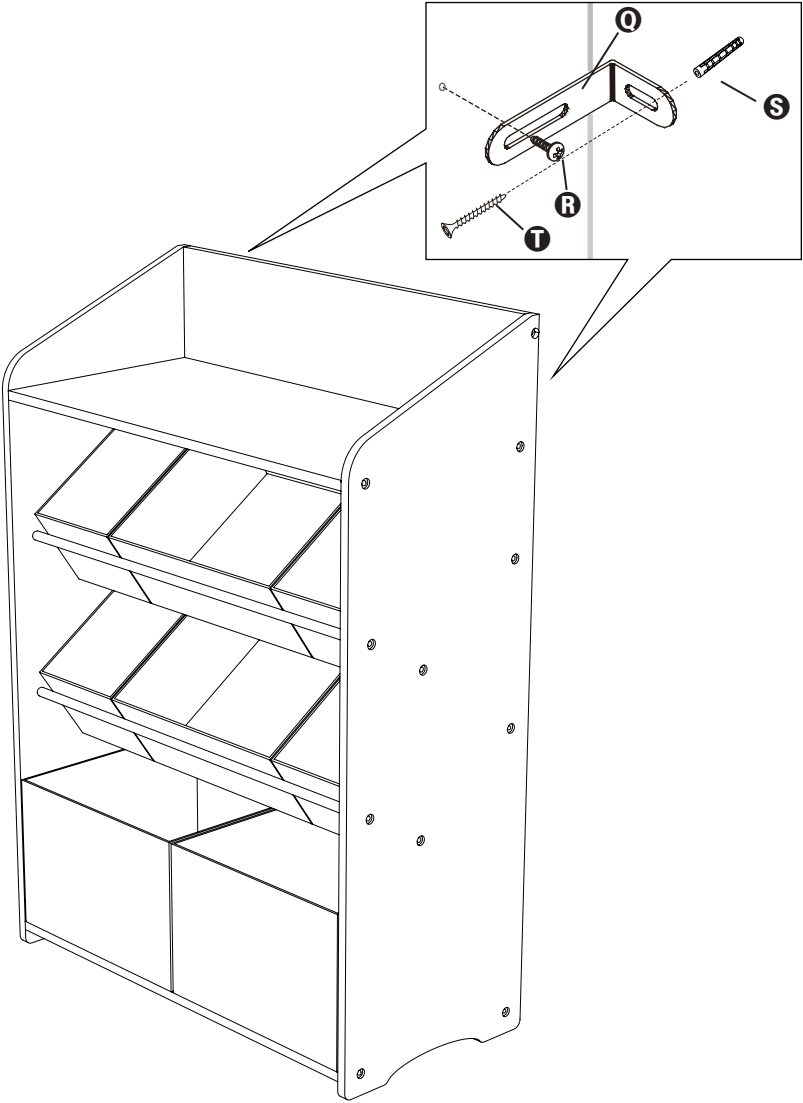
# ASSEMBLY

5



# ASSEMBLY

- 6** toy sorter must be securely fastened to a wall to prevent tipping and injury  
la trieuse de jouets doit être correctement fixée aumur pour éviter qu'elle ne se renverse et entraînedes blessures





YOUR SOURCE FOR  
ORGANIZATION,  
STORAGE & STYLE

**Honey-Can-Do International**

5300 St. Charles Road, Berkeley, IL 60163 USA  
877.242.2636 | [honeycando.com](http://honeycando.com) | [support@honeycando.com](mailto:support@honeycando.com)  
©2020 Honey-Can-Do International, LLC | All Rights Reserved

Visit [youtube.com/myhoneycando](https://www.youtube.com/myhoneycando) to watch our assembly videos.