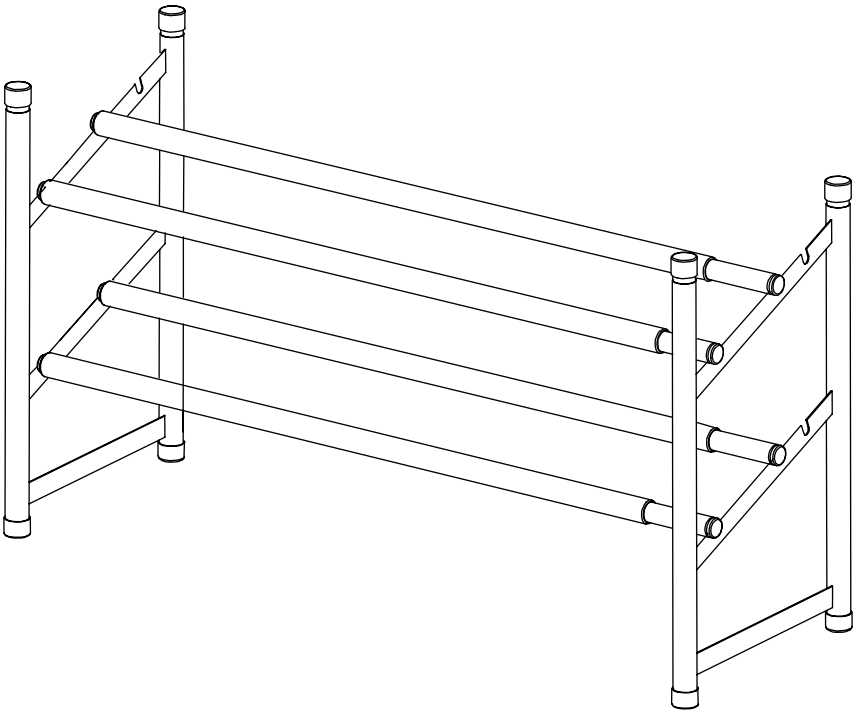


**stackable shoe rack**  
**zapatero apilable**  
**étagère à chaussures empilable**

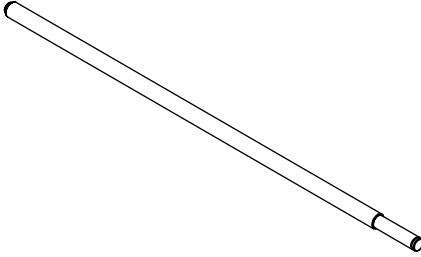


**15.1 in L x 44 in W x 9.1 in H / 38.4 cm L x 118 cm W x 23.1 cm H**

# PARTS LIST

PART/ILLUSTRATION	(QTY)	DESCRIPTION
-------------------	-------	-------------

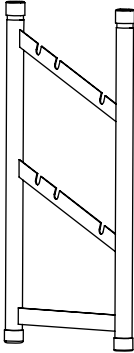
**A**



( 4 )

extendable bars  
barras extensibles  
barres extensibles

**B**

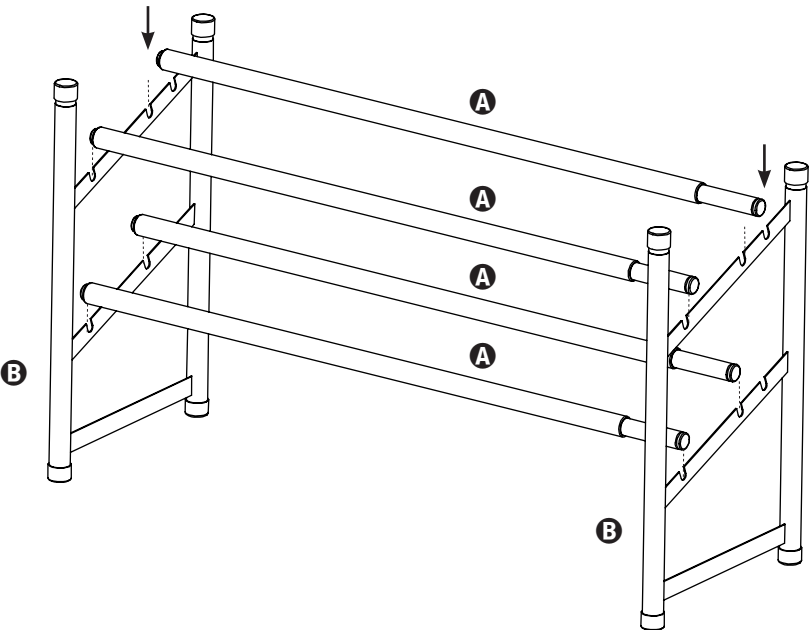


( 2 )

side supports  
soportes laterales  
supports latéraux

# ASSEMBLY

1





honey•can•do

**Honey-Can-Do International**

5300 St. Charles Road, Berkeley, IL 60163 USA  
877.242.2636 | [honeycando.com](http://honeycando.com) | [support@honeycando.com](mailto:support@honeycando.com)  
©2021 Honey-Can-Do International, LLC | All Rights Reserved

Visit [youtube.com/myhoneycando](https://www.youtube.com/myhoneycando) to watch our assembly videos.