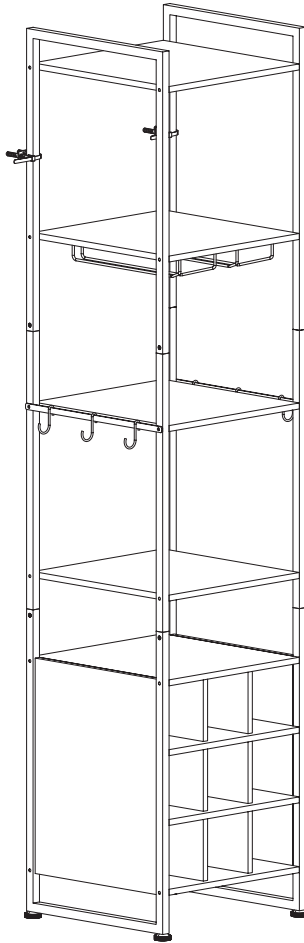




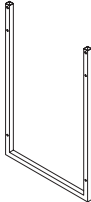

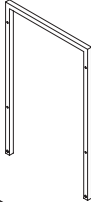

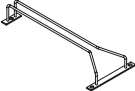
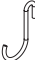
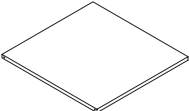
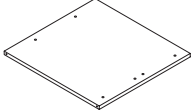
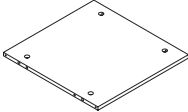
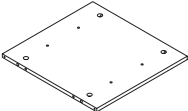
SHF-09514

# wine and bar storage tower

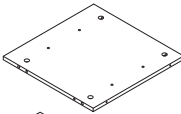
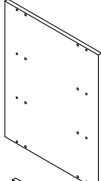
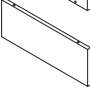


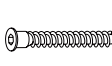
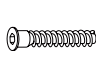
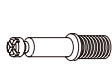



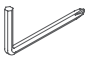
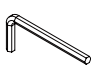
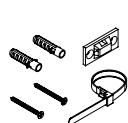


**16" W x 15" L x 70" H**

# PARTS LIST

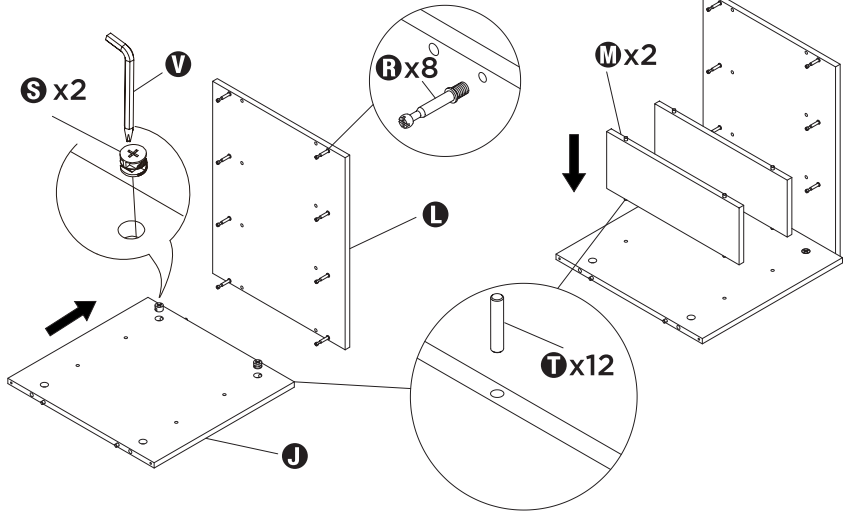
PART/ILLUSTRATION	(QTY)	DESCRIPTION
<b>A</b>	( 2 )	bottom frame
		
<b>B</b>	( 4 )	middle supports
		
<b>C</b>	( 2 )	top frame
		
<b>D</b>	( 2 )	bar for hooks
		
<b>E</b>	( 2 )	wine glass racks
		
<b>F</b>	( 6 )	hooks
		
<b>G</b>	( 3 )	shelves
		
<b>H</b>	( 1 )	wine glass shelf
		
<b>I</b>	( 1 )	wine rack top
		
<b>J</b>	( 1 )	wine rack bottom
		

# PARTS LIST

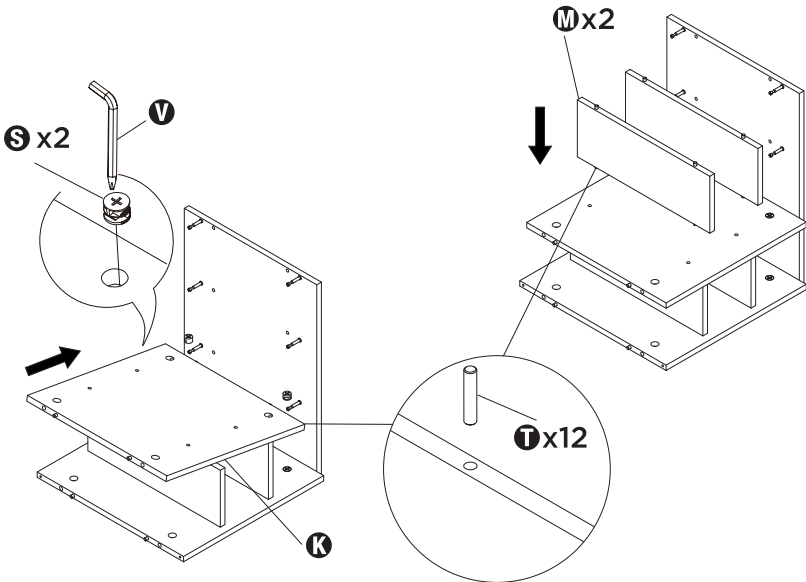
PART/ILLUSTRATION	(QTY)	DESCRIPTION
<b>K</b> 	( 2 )	wine rack shelves
<b>L</b> 	( 2 )	wine rack sides
<b>M</b> 	( 6 )	wine rack dividers
<b>N</b> 	( 1 )	wine rack back
<b>O</b> 	( 14 )	flat head screws (M5 x 10mm)
<b>P</b> 	( 2 4 )	recess screws (M5 x 40mm)
<b>Q</b> 	( 4 )	recess screws (M5 x 30mm)
<b>R</b> 	( 16 )	cam screws
<b>S</b> 	( 16 )	cam locks
<b>T</b> 	( 4 0 )	wood dowels
<b>U</b> 	( 4 )	leveling feet
<b>V</b> 	( 1 )	hex/cam phillips wrench
<b>W</b> 	( 1 )	(L) hex wrench
<b>X</b> 	( 2 )	wall anchor kits

# ASSEMBLY

- 1** Secure dividers and shelves with dowels.

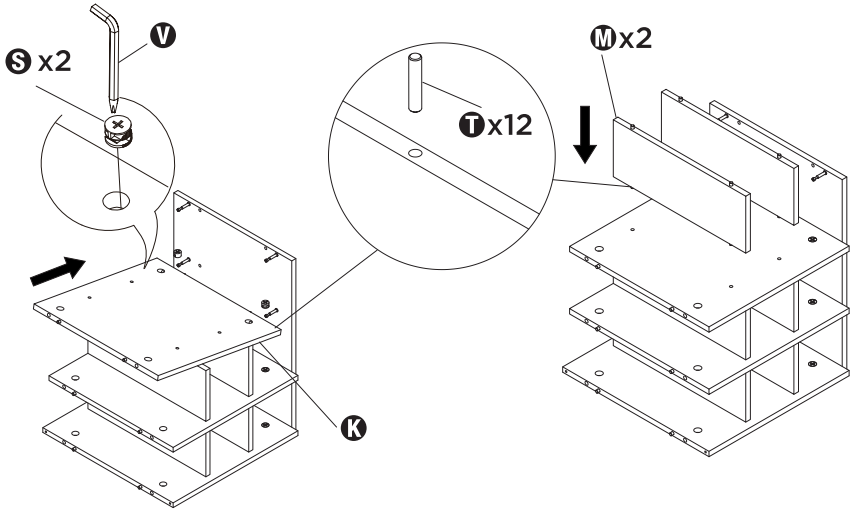


- 2** Connect sides with cam screws and locks.

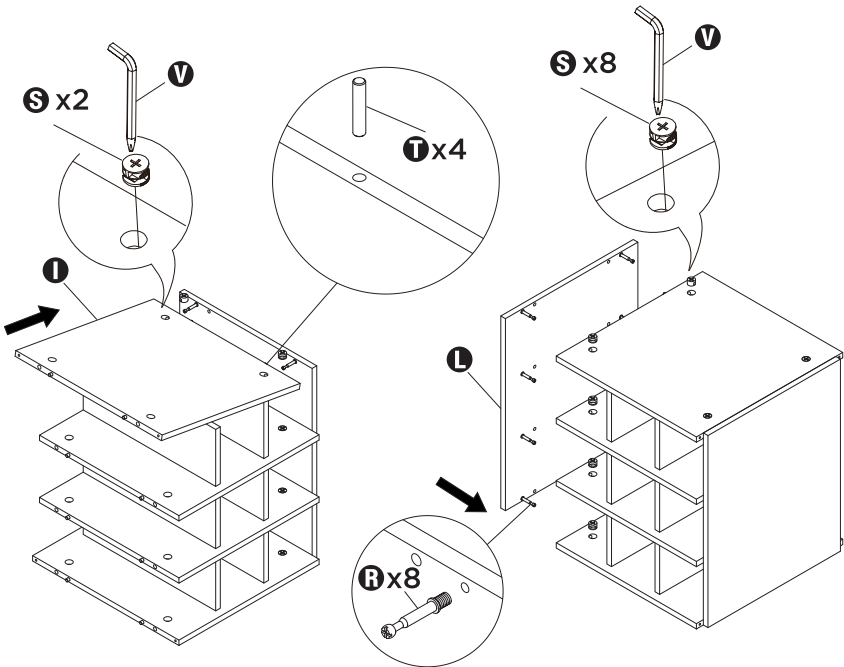


# ASSEMBLY

**3** Secure dividers and shelves with dowels.

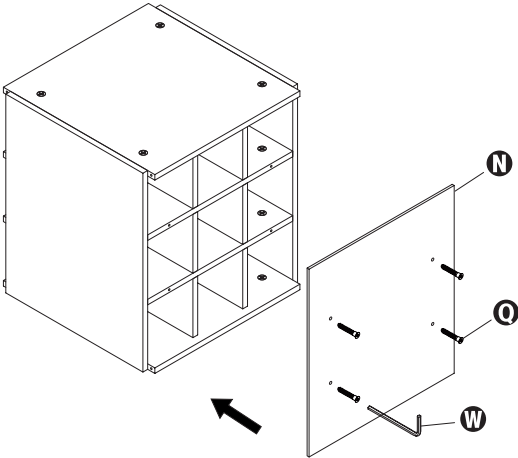


**4** Connect sides with cam screws and locks.

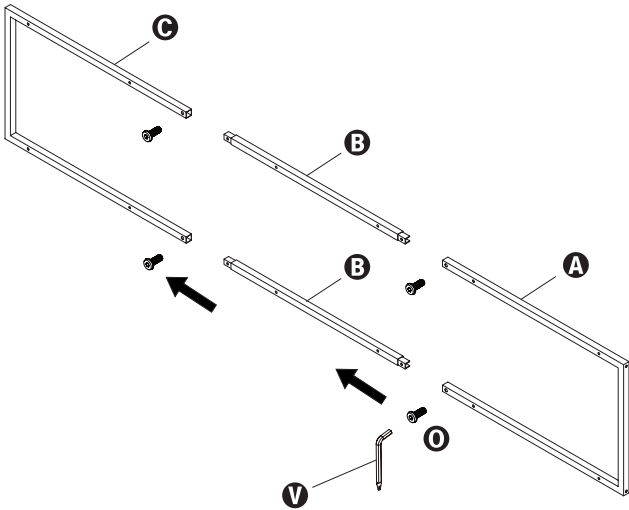


# ASSEMBLY

**5** Complete wine rack using recess screws and tighten.

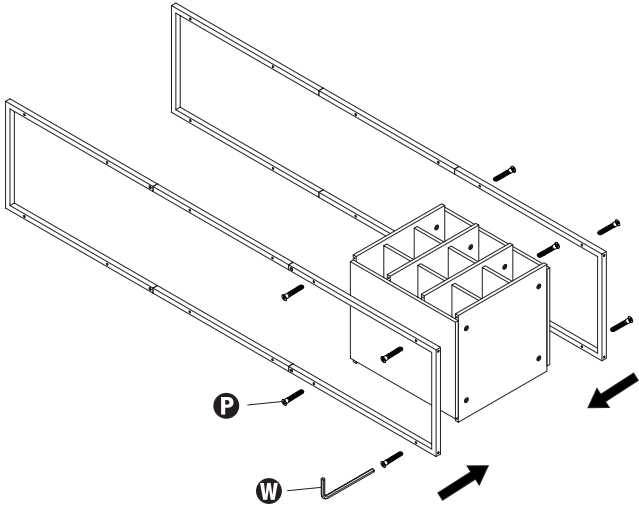


**6x2** Build both side frames.

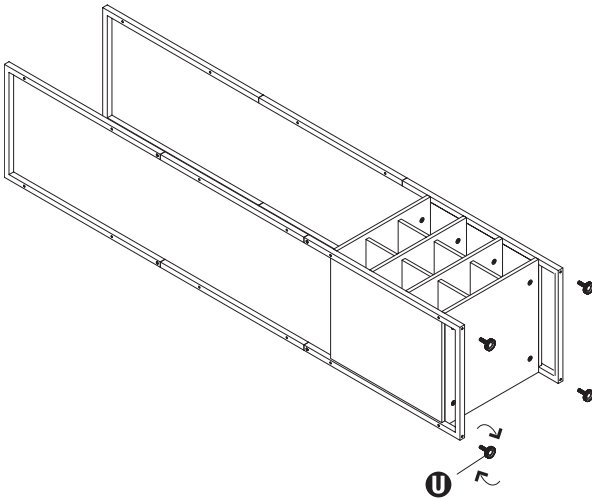


# ASSEMBLY

- 7** ADD WINE RACK  
**NOTE:** do not fully tighten screws on frame until all shelves are placed.

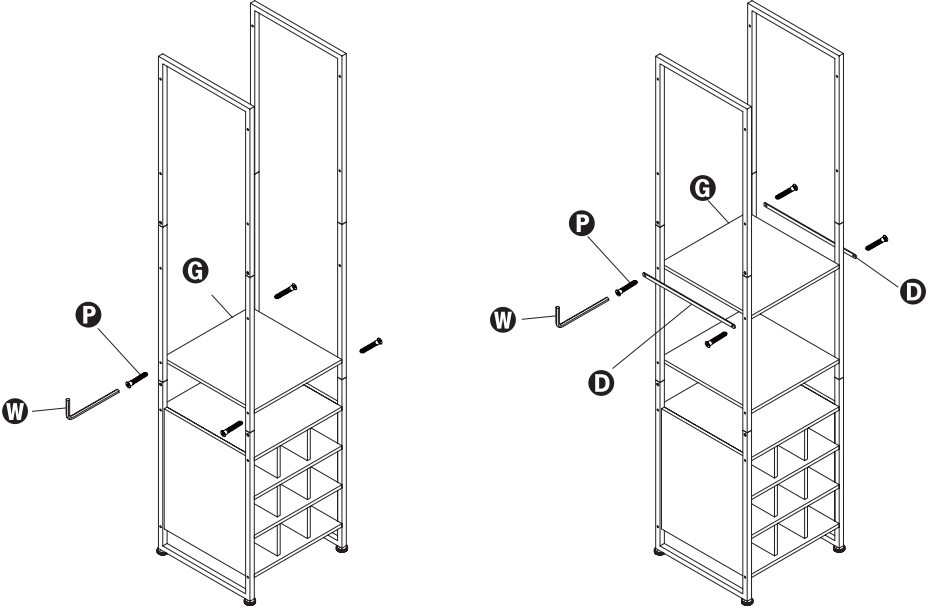


**8**

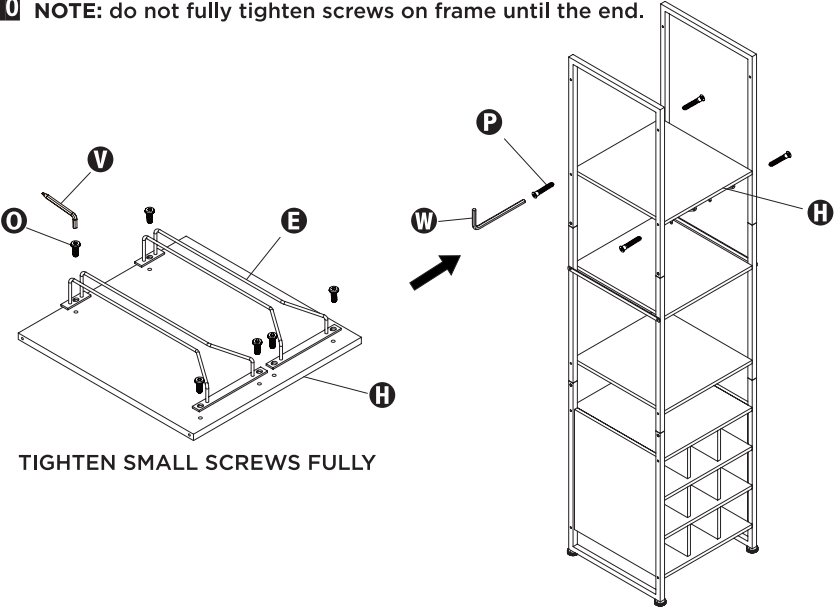


# ASSEMBLY

**9** NOTE: do not fully tighten screws on frame until the end.



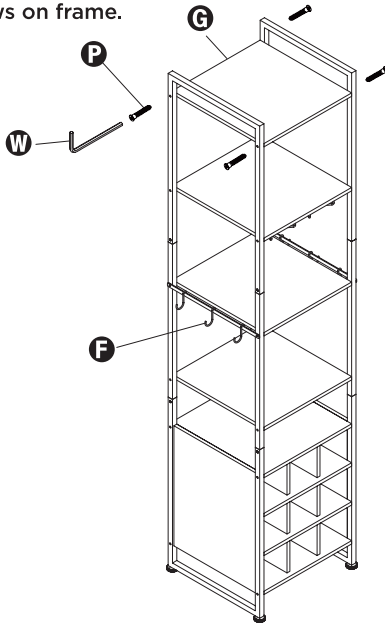
**10** NOTE: do not fully tighten screws on frame until the end.



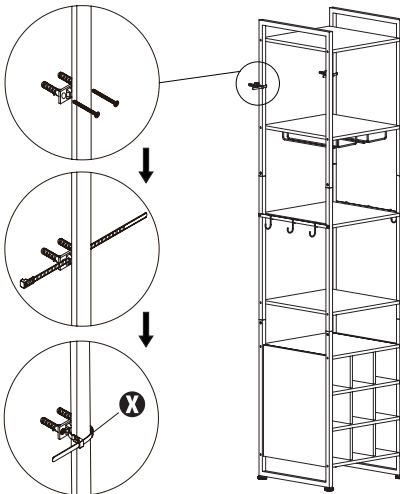


# ASSEMBLY

**1 1** Tighten all screws on frame.



**1 2** NOTE: attach wall anchor kit for anti-tipping safety.





honey•can•do

**Honey-Can-Do International**

5300 St. Charles Road, Berkeley, IL 60163 USA  
877.242.2636 | [honeycando.com](http://honeycando.com) | [support@honeycando.com](mailto:support@honeycando.com)  
©2022 Honey-Can-Do International, LLC | All Rights Reserved

Visit [youtube.com/myhoneycando](https://www.youtube.com/myhoneycando) to watch our assembly videos.