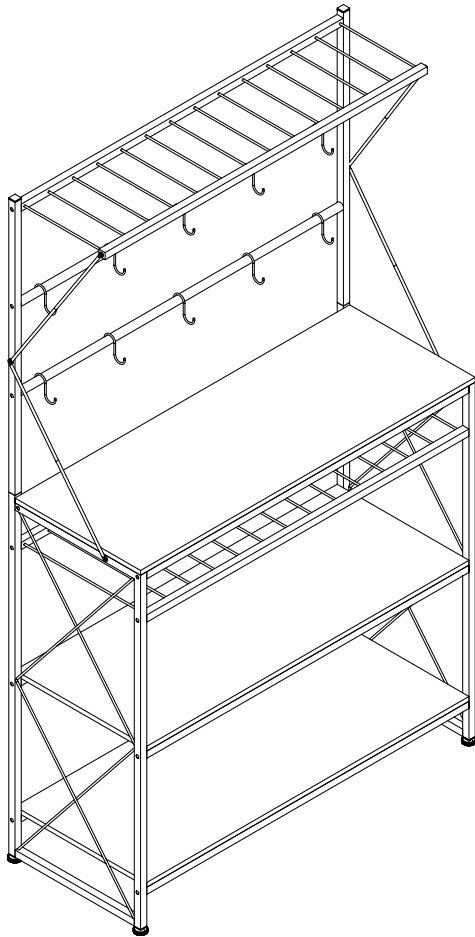




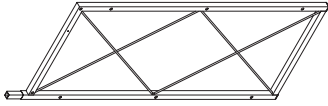
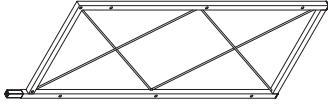


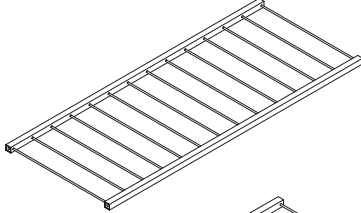
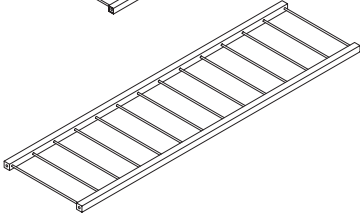



SHF-09513

kitchen baker's rack


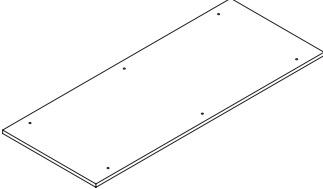
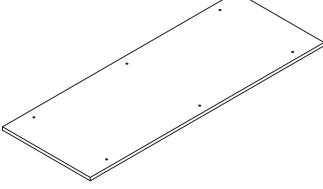

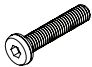


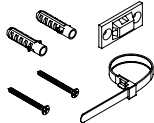


38" L x 15" W x 65" H

PARTS LIST

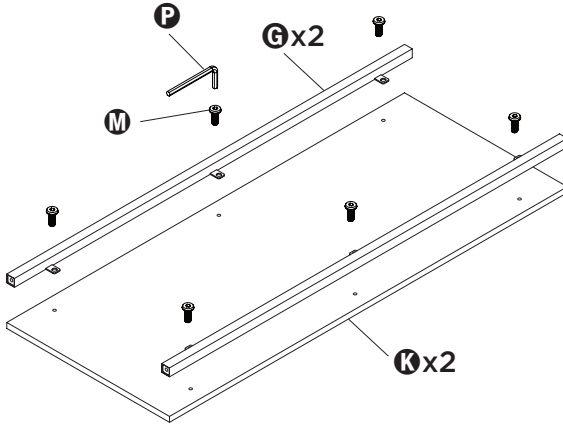
PART/ILLUSTRATION	(QTY) DESCRIPTION
A 	(1) side frame
B 	(1) side frame
C 	(1) upper side frame
D 	(1) upper side frame
E 	(1) under countertop shelf rack
F 	(1) upper shelf rack
G 	(6) shelf support bars
H 	(2) bars for hooks
I 	(4) upper shelf support bars

PARTS LIST

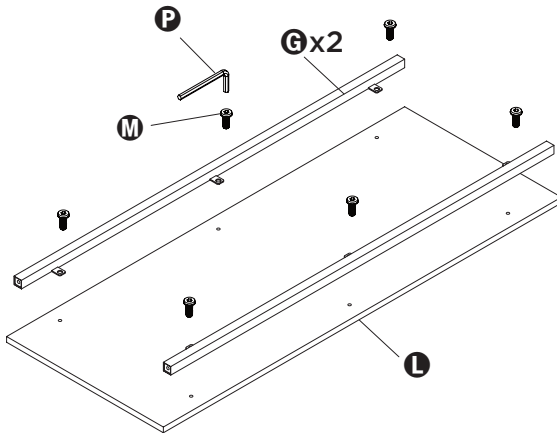
PART/ILLUSTRATION	(QTY)	DESCRIPTION
J 	(10)	hooks
K 	(2)	shelves
L 	(1)	countertop shelf
M 	(28)	flat head hex screws (M5 x 10mm)
N 	(22)	flat head hex screws (M6 x 35mm)
O 	(4)	leveling feet
P 	(1)	hex wrench
Q 	(2)	wall anchor kits

ASSEMBLY

1

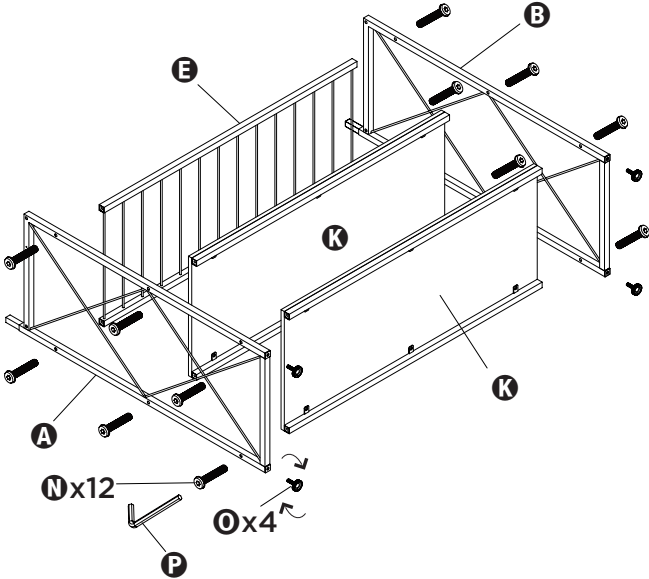


2

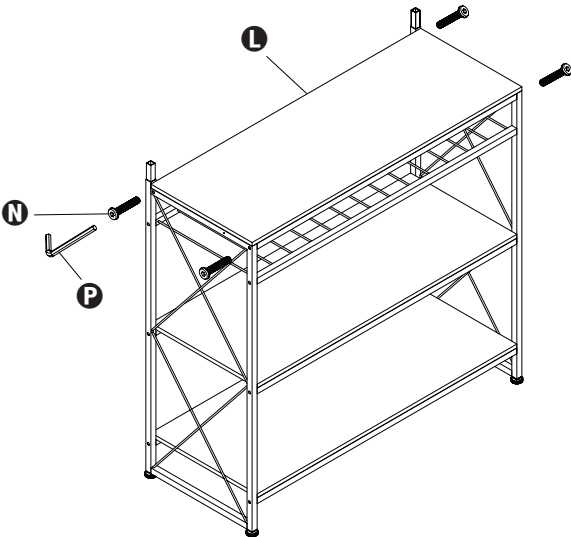


ASSEMBLY

3 NOTE: do not fully tighten screws on frame until the end.

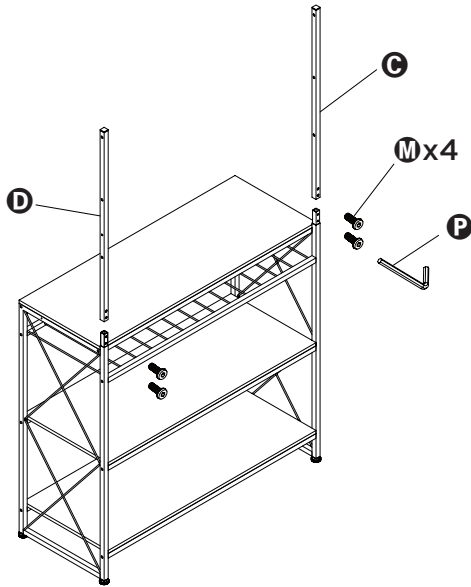


4 NOTE: do not fully tighten screws on frame until the end.

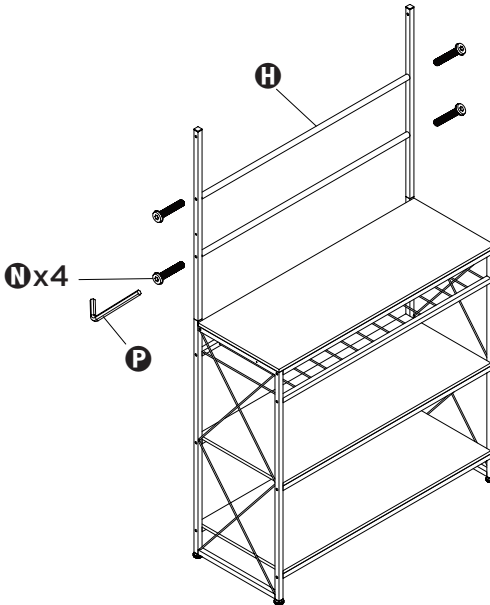


ASSEMBLY

- 5** NOTE: do not fully tighten screws on frame until the end.

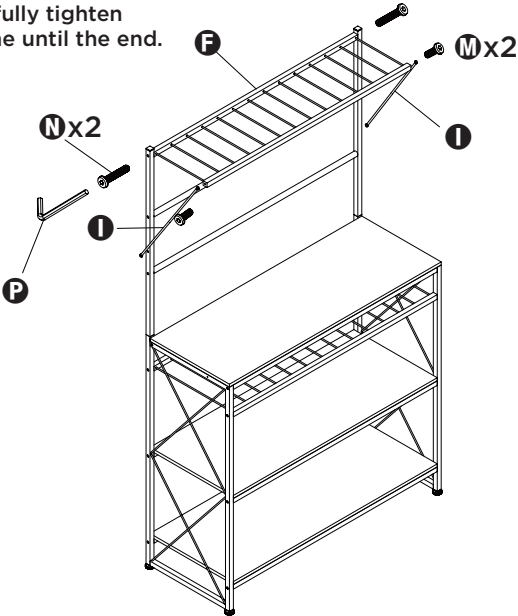


- 6** NOTE: do not fully tighten screws on frame until the end.

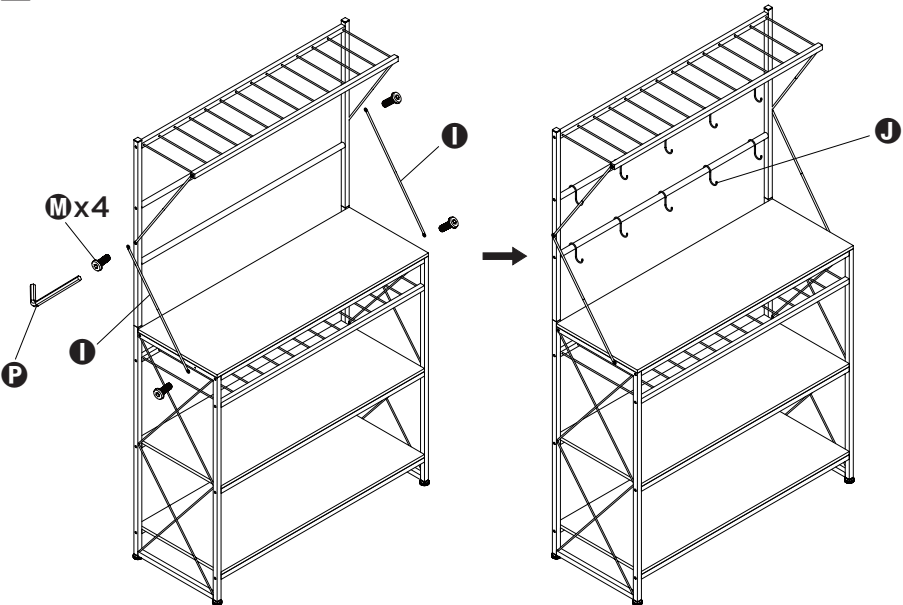


ASSEMBLY

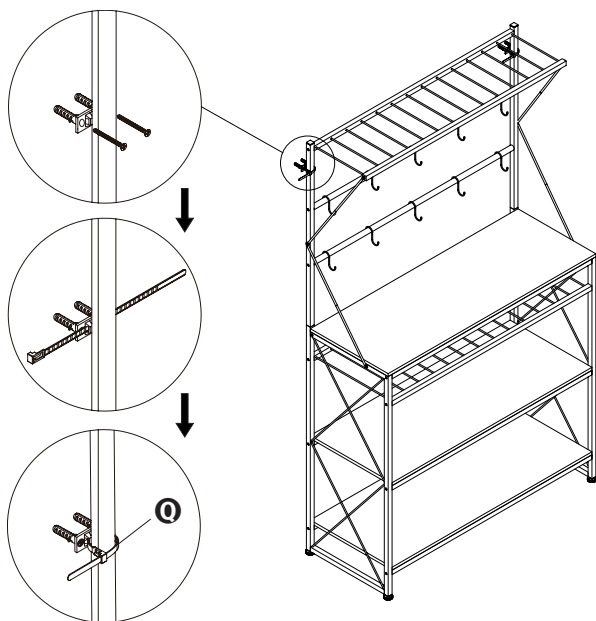
7 NOTE: do not fully tighten screws on frame until the end.



8 ATTENTION: Tighten all screws on frame now.



9 Attach wall anchor kit for anti-tipping safety.



Honey-Can-Do International

5300 St. Charles Road, Berkeley, IL 60163 USA
877.242.2636 | honeycando.com | support@honeycando.com
©2022 Honey-Can-Do International, LLC | All Rights Reserved

Visit [youtube.com/myhoneycando](https://www.youtube.com/myhoneycando) to watch our assembly videos.