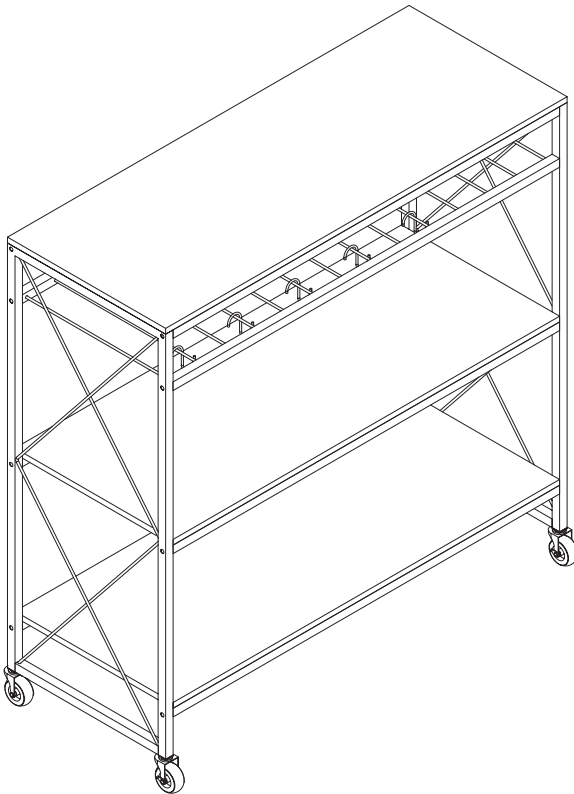




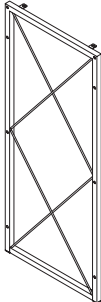
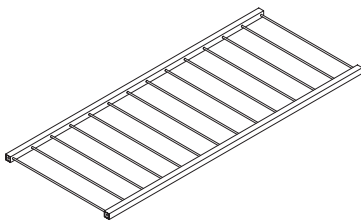
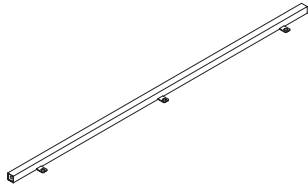
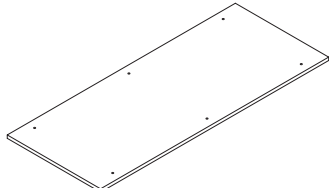
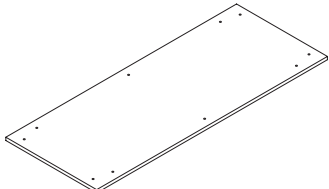

SHF-09512

# kitchen rolling island


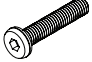






**38" L x 15" W x 38" H**

# PARTS LIST

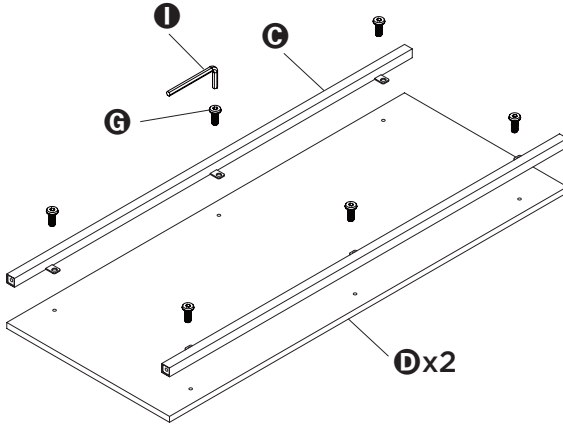
PART/ILLUSTRATION	(QTY) DESCRIPTION
<b>A</b> 	( 2 ) side supports
<b>B</b> 	( 1 ) wire shelf
<b>C</b> 	( 6 ) shelf brackets
<b>D</b> 	( 2 ) bottom shelves
<b>E</b> 	( 1 ) top shelf
<b>F</b> 	( 5 ) hooks

# PARTS LIST

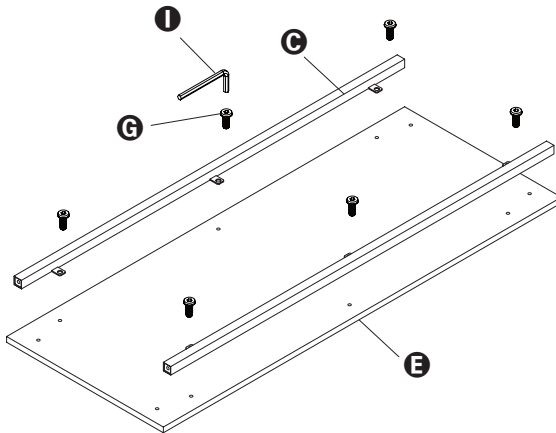
PART/ILLUSTRATION	(QTY)	DESCRIPTION
<b>G</b> 	( 2 )	flat head hex screws (M5 x 10mm)
<b>H</b> 	( 16 )	flat head hex screws (M6 x 35mm)
<b>I</b> 	( 1 )	wrench
<b>J</b> 	( 2 )	casters
<b>K</b> 	( 2 )	locking casters
<b>L</b> 	( 1 )	hex wrench

# ASSEMBLY

1

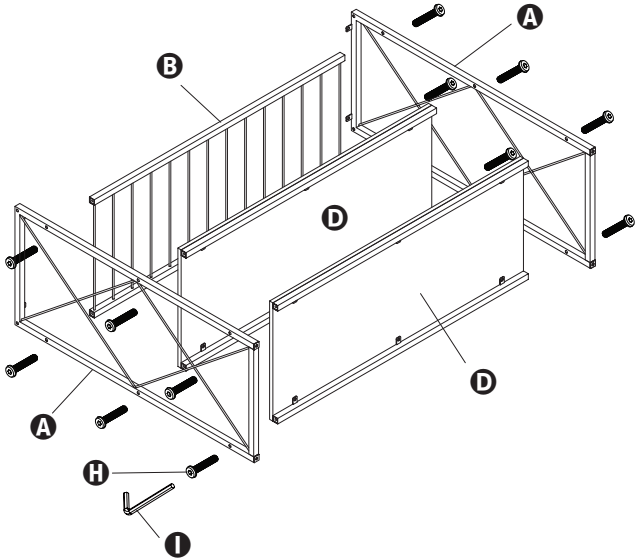


2

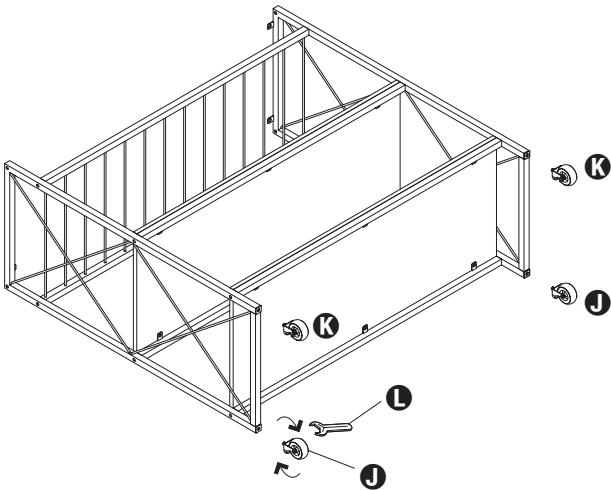


# ASSEMBLY

**3** NOTE: do not fully tighten screws on frame until the end.



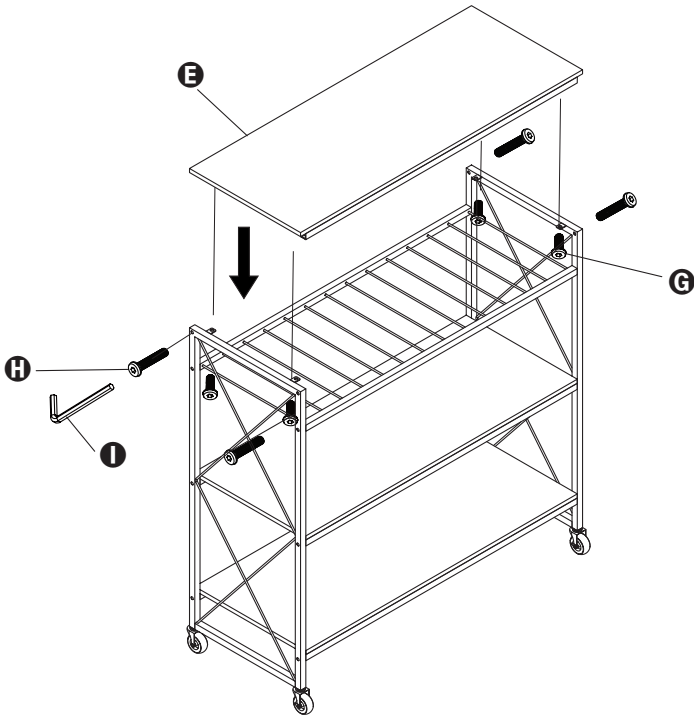
**4**



# ASSEMBLY

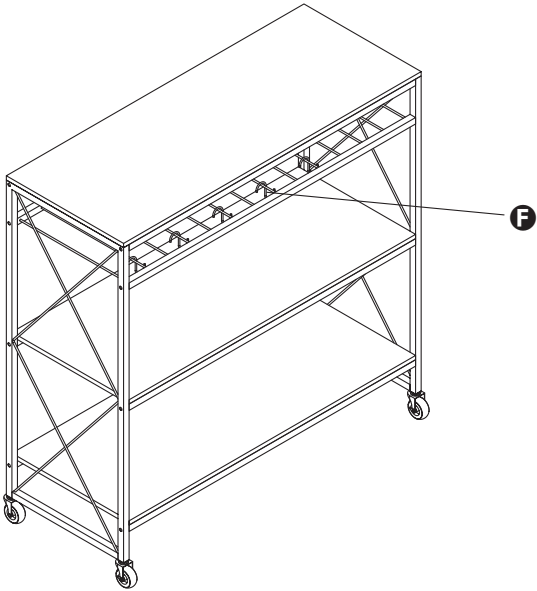
**5** NOTE: do not fully tighten screws on frame until the end.

- Larger screws **H** attach to the side of frame.
- Smaller screws **G** attach through tabs on frame and under top.



# ASSEMBLY

6





honey•can•do

**Honey-Can-Do International**

5300 St. Charles Road, Berkeley, IL 60163 USA

877.242.2636 | [honeycando.com](http://honeycando.com) | [support@honeycando.com](mailto:support@honeycando.com)

©2022 Honey-Can-Do International, LLC | All Rights Reserved

Visit [youtube.com/myhoneycando](https://www.youtube.com/myhoneycando) to watch our assembly videos.