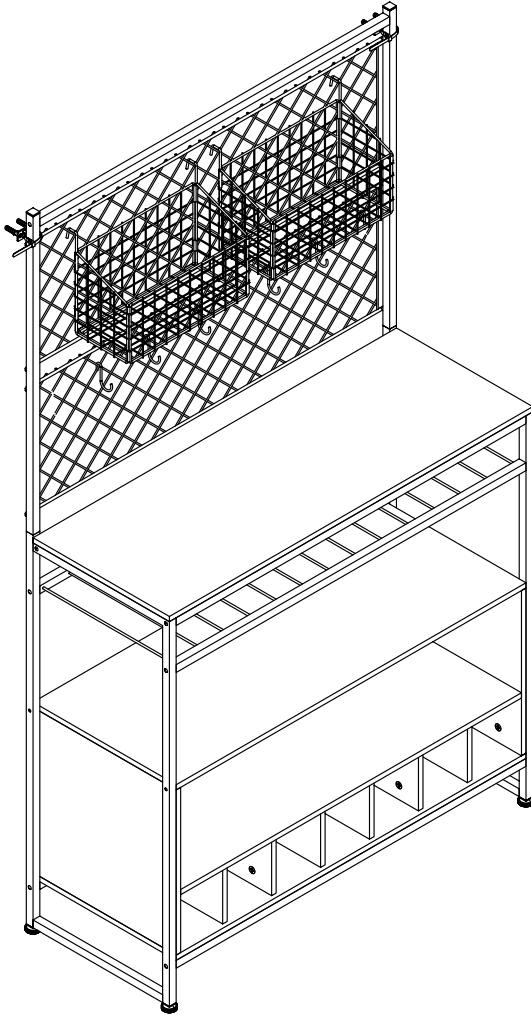








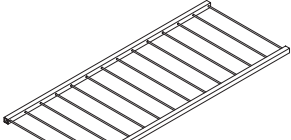

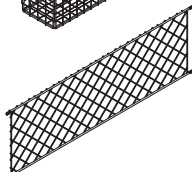

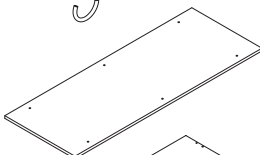
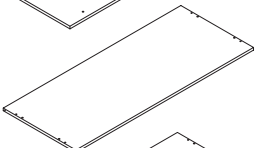
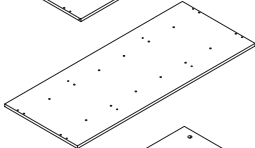
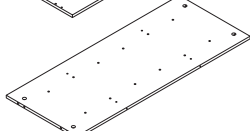
SHF-09511

# kitchen baker's rack

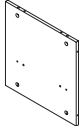
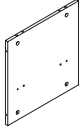
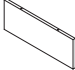
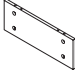
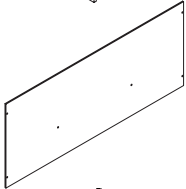









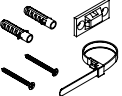


**38" L x 15" W x 65" H**

# PARTS LIST

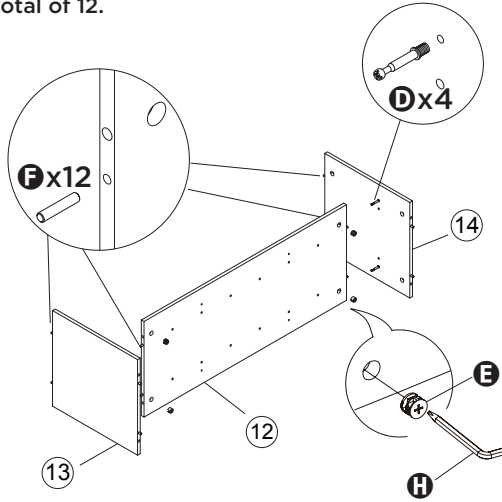
PART/ILLUSTRATION	(QTY)	DESCRIPTION
① 	( 2 )	bottom frame
② 	( 2 )	upper frame supports
③ 	( 4 )	shelf support bars
④ 	( 1 )	top frame support
⑤ 	( 1 )	wire shelf
⑥ 	( 2 )	baskets
⑦ 	( 2 )	wire grid panels
⑧ 	( 5 )	hooks
⑨ 	( 1 )	countertop shelf
⑩ 	( 1 )	shelf
⑪ 	( 1 )	bottom wine rack shelf
⑫ 	( 1 )	shelf

# PARTS LIST

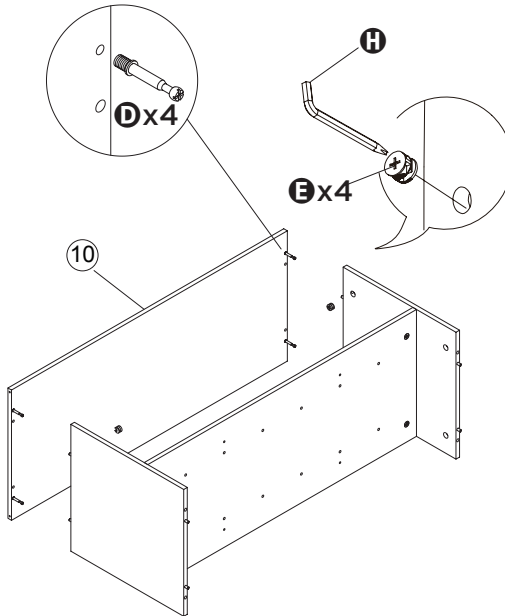
PART/ILLUSTRATION	(QTY)	DESCRIPTION
	( 1 )	wine rack side
	( 1 )	wine rack side
	( 4 )	wine rack dividers
	( 2 )	wine rack dividers
	( 1 )	wine rack back
	( 2 2 )	flat head screws (M5 x 10mm)
	( 1 4 )	flat head screws (M6 x 35mm)
	( 1 0 )	recess screws (M5 x 30mm)
	( 2 0 )	cam screws
	( 2 0 )	cam locks
	( 3 6 )	wood dowels
	( 4 )	leveling feet
	( 1 )	hex/cam phillips wrench
	( 1 )	(L) hex wrench
	( 2 )	wall anchor kits

# ASSEMBLY

- 1** Secure wine rack shelf and sides with dowels and cam locks. Add 4 dowels to each edge, a total of 12.

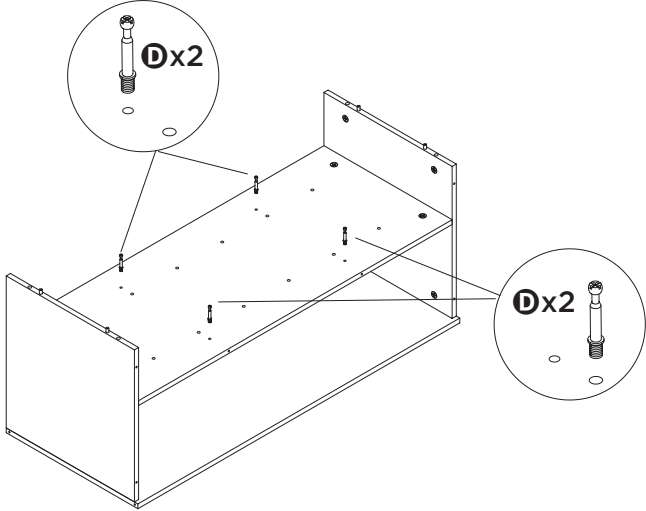


- 2** Connect top shelf with cam screws and locks.

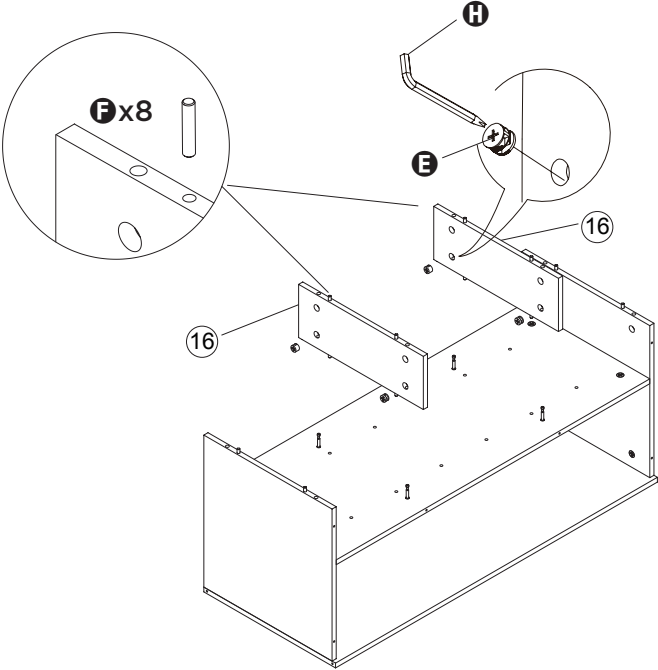


# ASSEMBLY

**3** Add cam screws on wine rack shelf.

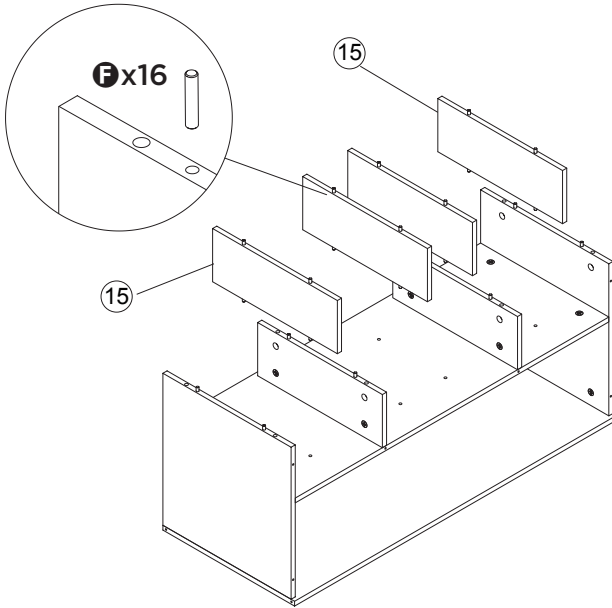


**4** Add wood dowels to wine rack dividers and secure with cam locks.

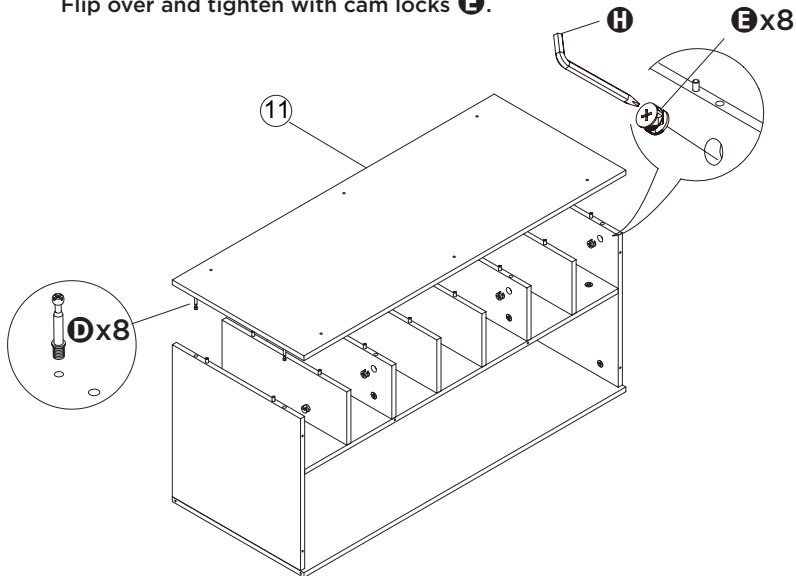


# ASSEMBLY

- 5** Add 4 wood dowels to each wine rack dividers, a total of 16.

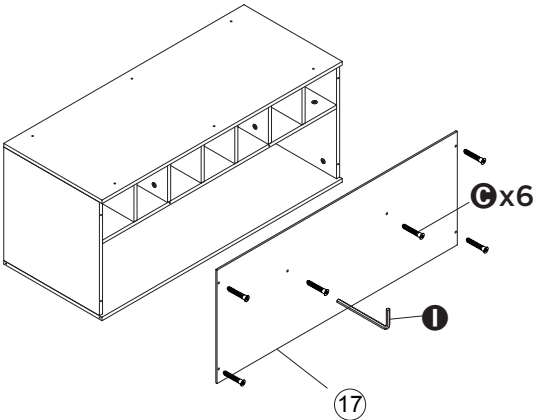


- 6** First add cam screws on other side of bottom wine rack shelf (11). Flip over and tighten with cam locks E.

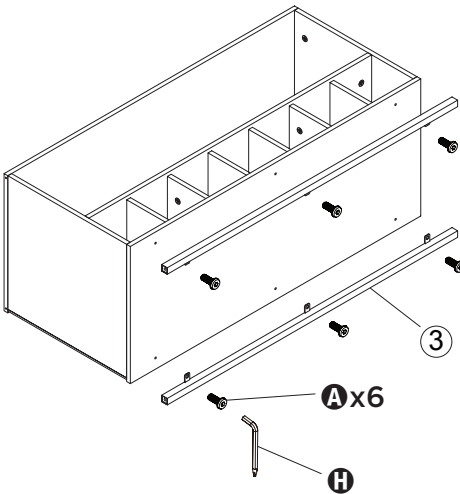


# ASSEMBLY

**7** Attach wine rack back with recess screws and tighten.

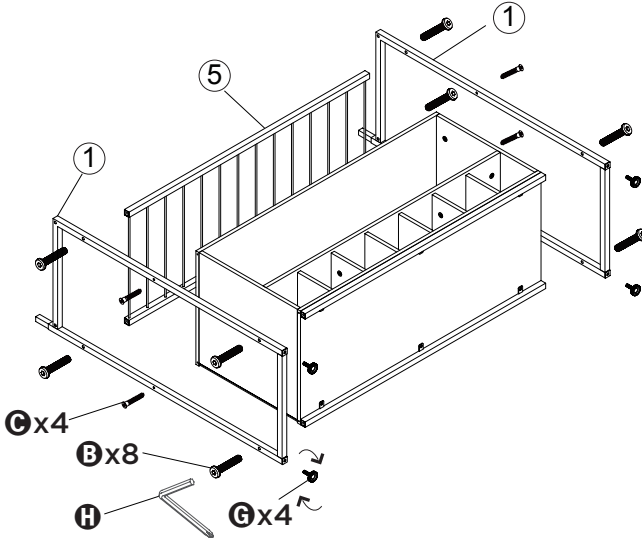


**8** Attach shelf support bars to bottom wine rack shelf with small flat hex screws and tighten.

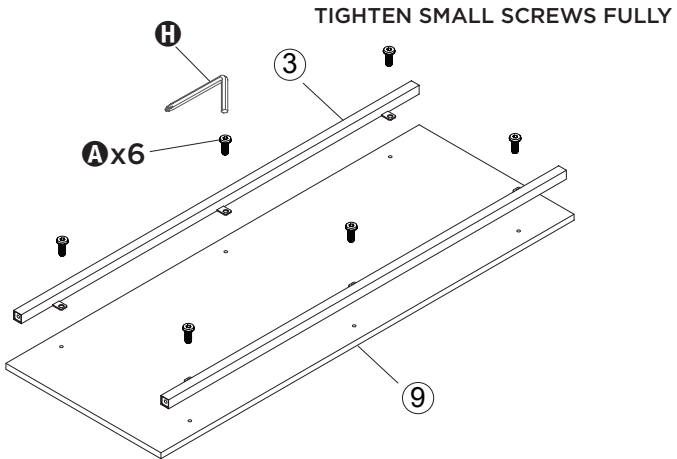


# ASSEMBLY

- 9** Connect frame to shelves and wine rack. Add leveler feet.  
**NOTE:** Do not tighten all screws until all the shelves are in place.



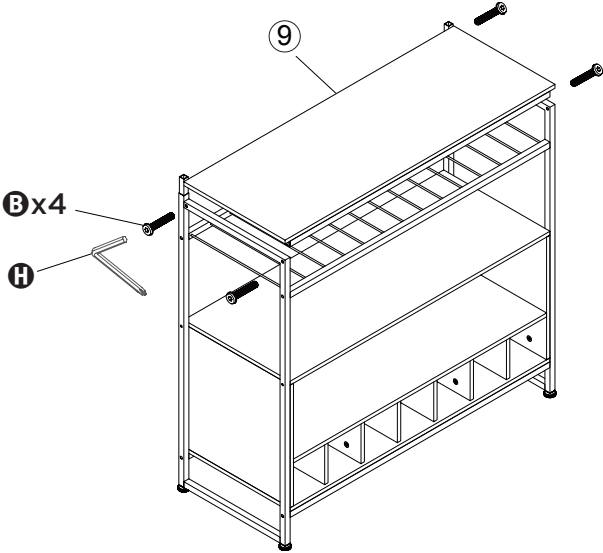
- 10** Add shelf supports to countertop shelf.



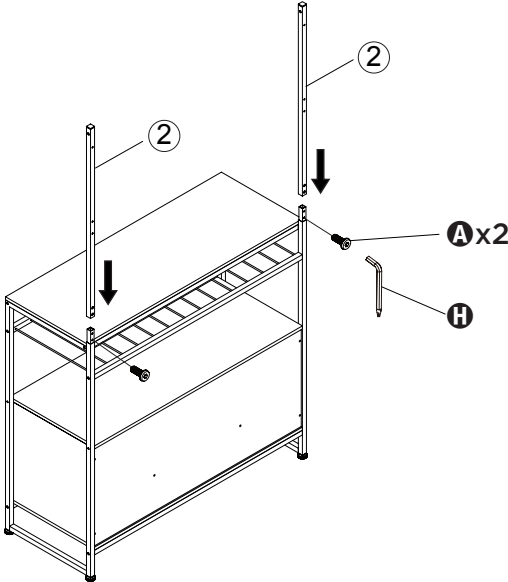


# ASSEMBLY

**1 1** Attach countertop to bottom frame.

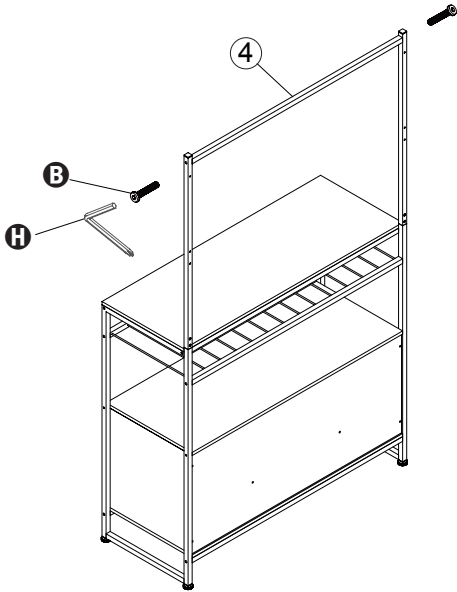


**1 2** Connect upper frame to bottom frame.

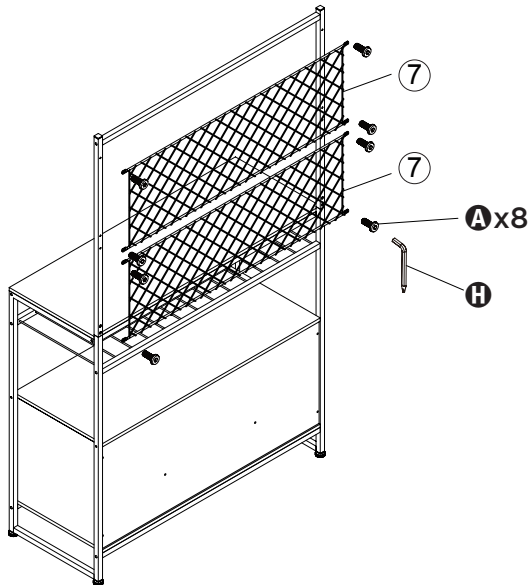


# ASSEMBLY

- 1 3** Add top bar to frame and complete by tightening all screws on frame.

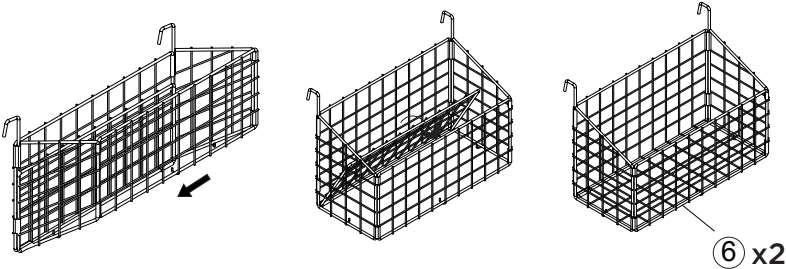


- 1 4** Connect both wire grid panels to upper frame.

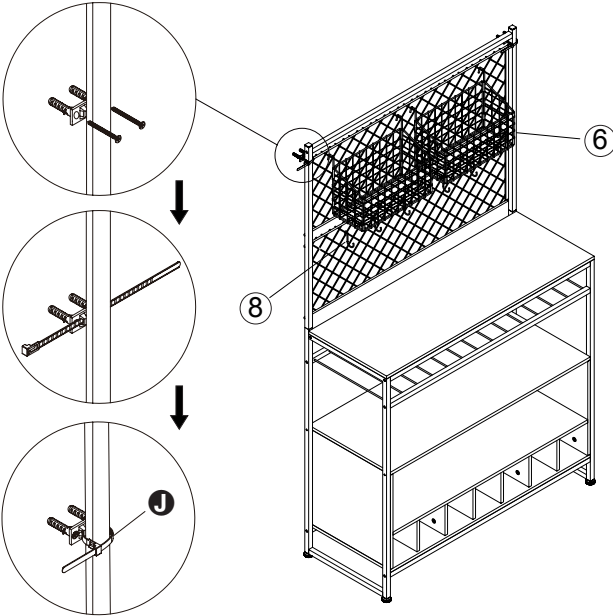


# ASSEMBLY

**1 5** Assemble baskets to hang on wire grid panels.



**1 6** Add baskets and hooks. Attach wall anchor kit for anti-tipping safety.





honey•can•do

**Honey-Can-Do International**

5300 St. Charles Road, Berkeley, IL 60163 USA

877.242.2636 | [honeycando.com](http://honeycando.com) | [support@honeycando.com](mailto:support@honeycando.com)

©2022 Honey-Can-Do International, LLC | All Rights Reserved

Visit [youtube.com/myhoneycando](https://www.youtube.com/myhoneycando) to watch our assembly videos.