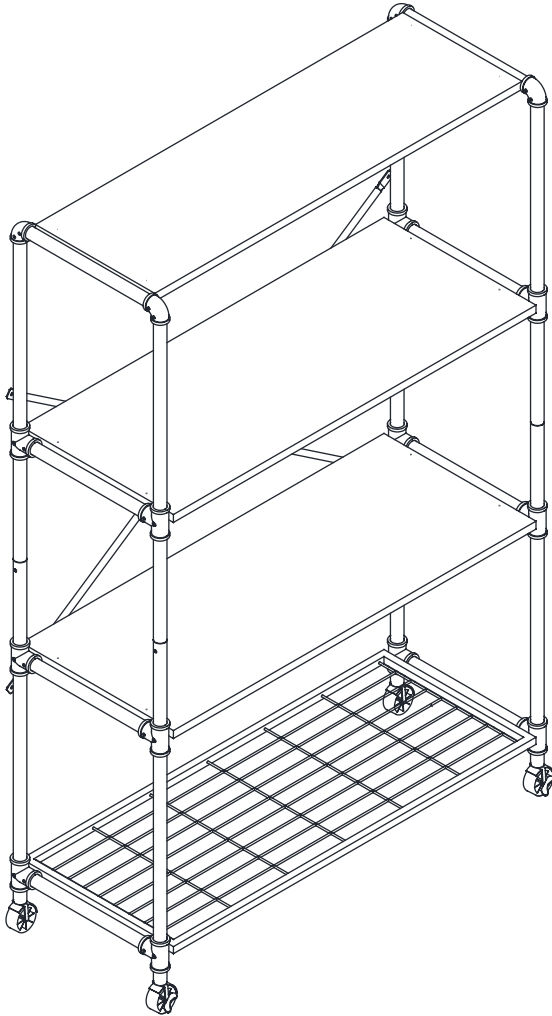





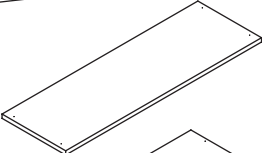
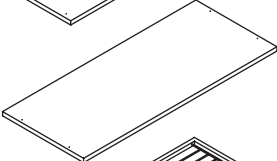
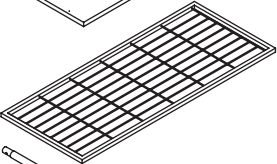
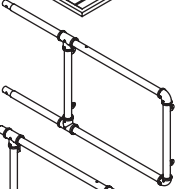
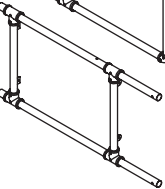

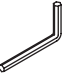
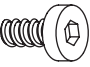



SHF-08838

# 4-tier loft shelving unit with wheels



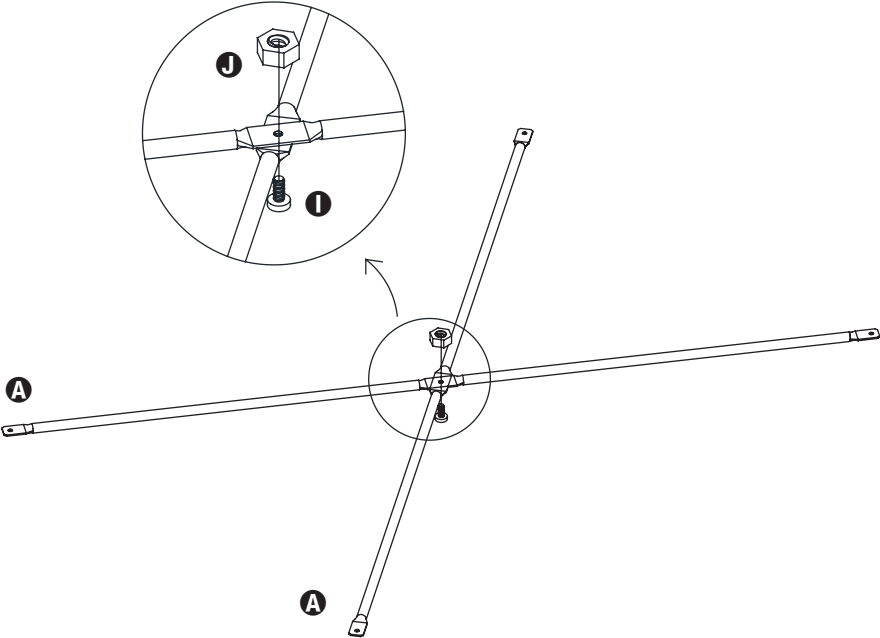
**40 in L x 15.75 in W x 63 in H**

# PARTS LIST

PART/ILLUSTRATION	(QTY)	DESCRIPTION
<b>A</b> 	(2)	support poles
<b>B</b> 	(1)	top shelf
<b>C</b> 	(2)	middle shelves
<b>D</b> 	(1)	bottom shelf
<b>E</b> 	(2)	top frames
<b>F</b> 	(2)	bottom frames
<b>G</b> 	(1)	wrench
<b>H</b> 	(1)	hex key
<b>I</b> 	(25)	screws
<b>J</b> 	(1)	nut
<b>K</b> 	(2)	casters
<b>L</b> 	(2)	locking casters

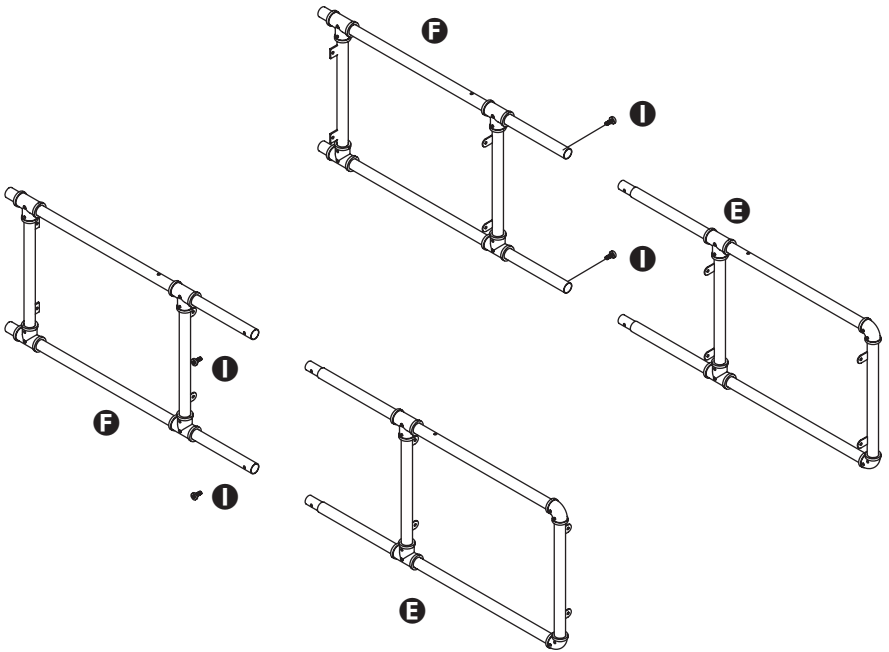
# ASSEMBLY

1



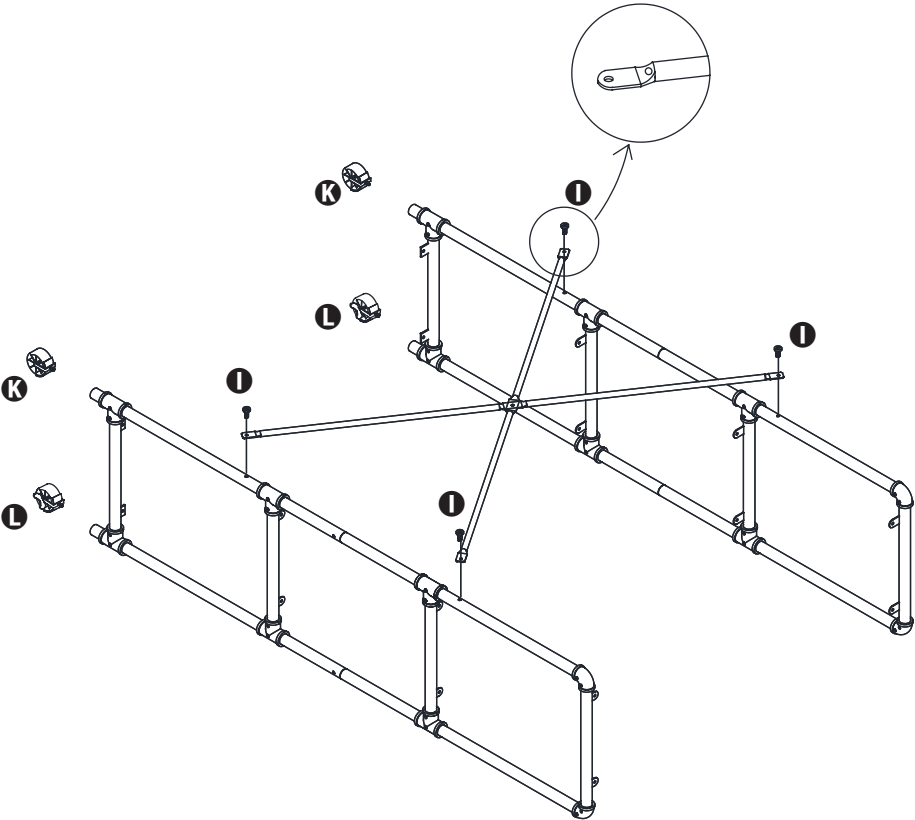
# ASSEMBLY

2



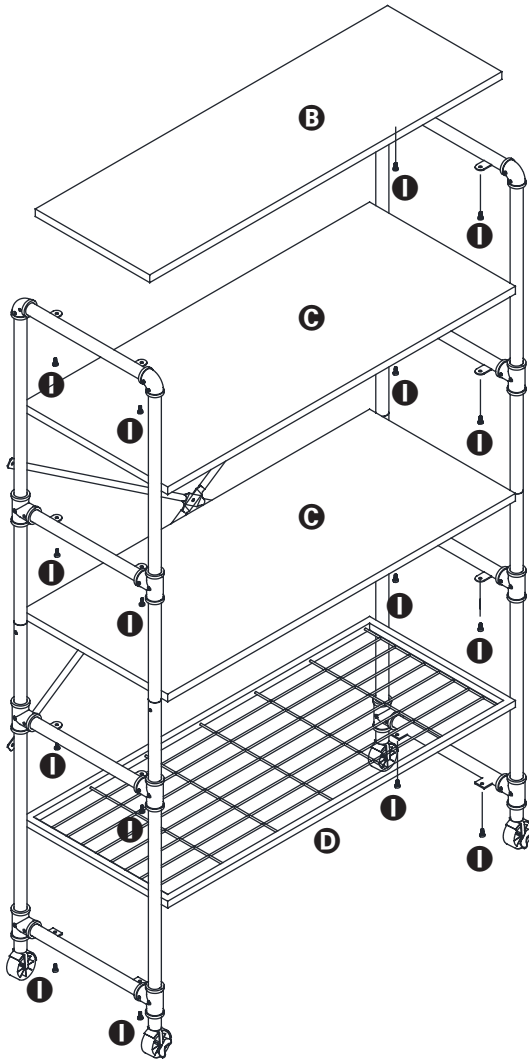
# ASSEMBLY

3



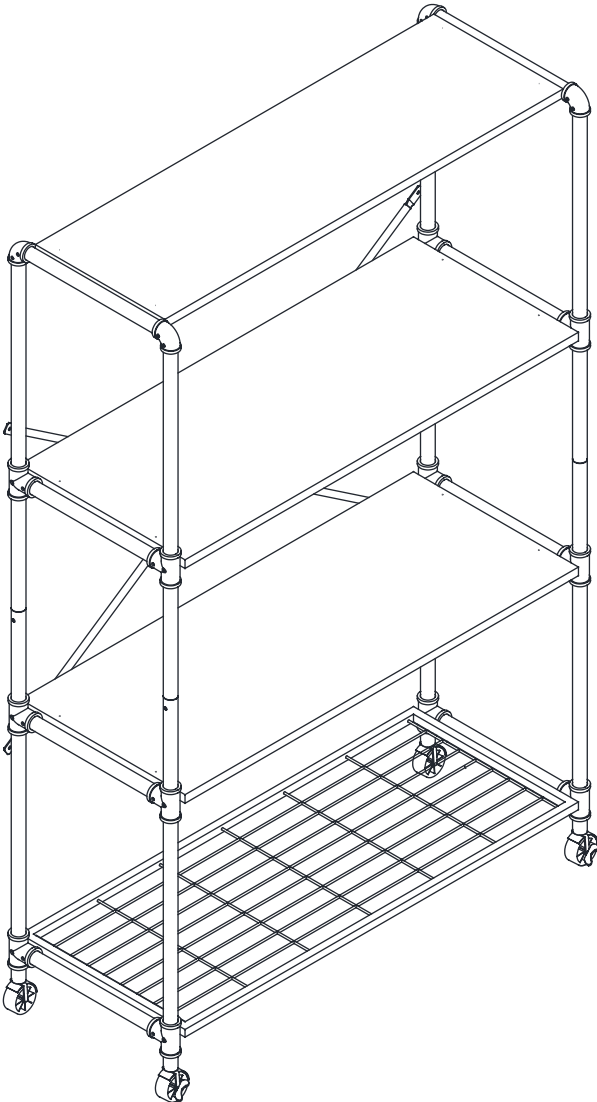
# ASSEMBLY

4



# ASSEMBLY

5





YOUR SOURCE FOR  
ORGANIZATION,  
STORAGE & STYLE

**Honey-Can-Do International**

5300 St. Charles Road, Berkeley, IL 60163 USA  
877.242.2636 | [honeycando.com](http://honeycando.com) | [customerservice@honeycando.com](mailto:customerservice@honeycando.com)  
©2020 Honey-Can-Do International, LLC | All Rights Reserved

Visit [youtube.com/myhoneycando](https://www.youtube.com/myhoneycando) to watch our assembly videos.