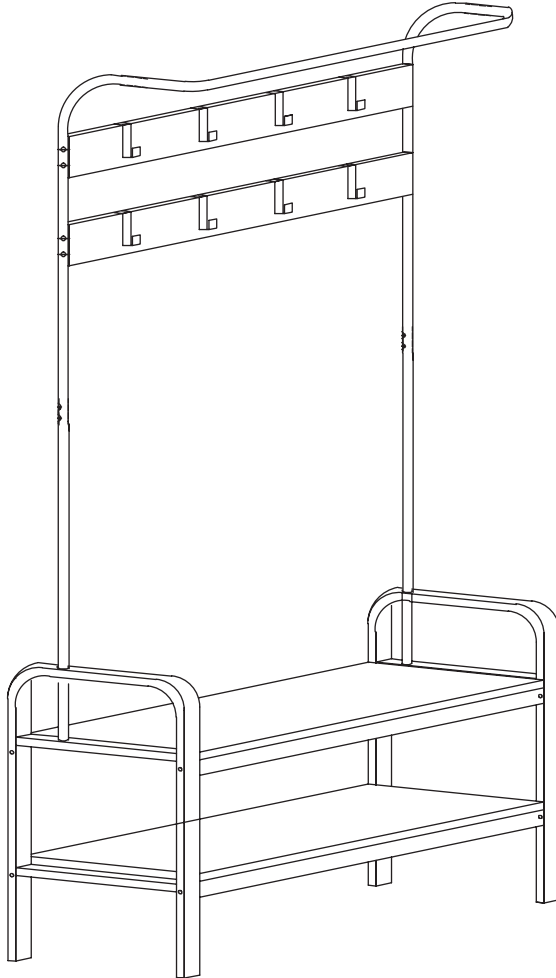




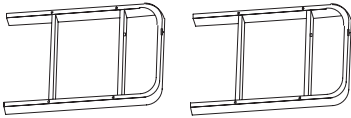
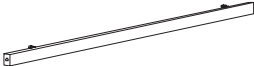
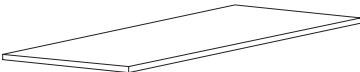

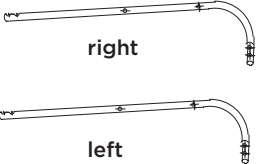


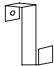
SHF-08746

# entryway rack & bench






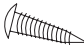

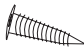



**28 in L x 13.39 in W x 68.7 in H**

# PARTS LIST

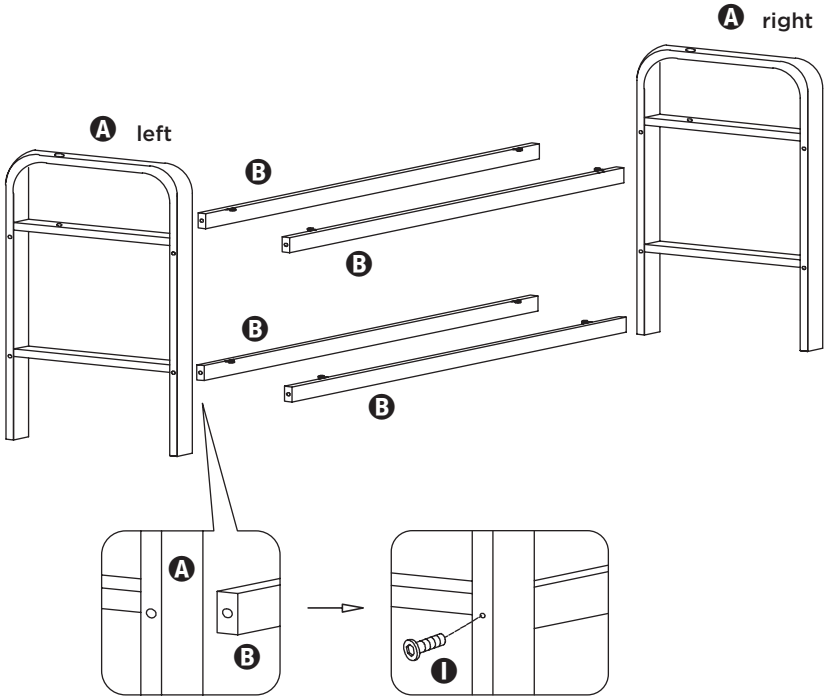
PART/ILLUSTRATION	(QTY)	DESCRIPTION
<b>A</b>  right left	( 2 )	base
<b>B</b> 	( 4 )	horizontal shelf supports
<b>C</b> 	( 2 )	shelves
<b>D</b> 	( 2 )	lower vertical bars
<b>E</b> right left 	( 2 )	upper vertical bars
<b>F</b> 	( 1 )	top horizontal bar
<b>G</b> 	( 2 )	top hook supports
<b>H</b> 	( 8 )	hooks

# PARTS LIST

PART/ILLUSTRATION		(QTY)	DESCRIPTION
<b>I</b>	 6x40 mm	( 8 )	pan head, hex socket screws (M6 x 1 x 45mm)
<b>J</b>	 6x30 mm	( 2 )	pan head, hex socket screws (M6 x 1 x 30mm)
<b>K</b>	 6x10 mm	( 8 )	pan head, hex socket screws (M6 x 1 x 10mm)
<b>L</b>	 6x40 mm	( 8 )	pan head, hex socket, wood screws (M7 x 40mm)
<b>M</b>	 4x16 mm	( 8 )	flat head, phillips recess, wood screws (M4x 16mm)
<b>N</b>	 4x12 mm	( 8 )	flat head, phillips recess, wood screws (M4x 12mm)
<b>O</b>		( 1 )	wall support strap
<b>P</b>	 4x30 mm	( 2 )	flat head, phillips recess, self-tapping screws (M4x 30mm)
<b>Q</b>	 4x30 mm	( 2 )	anchor

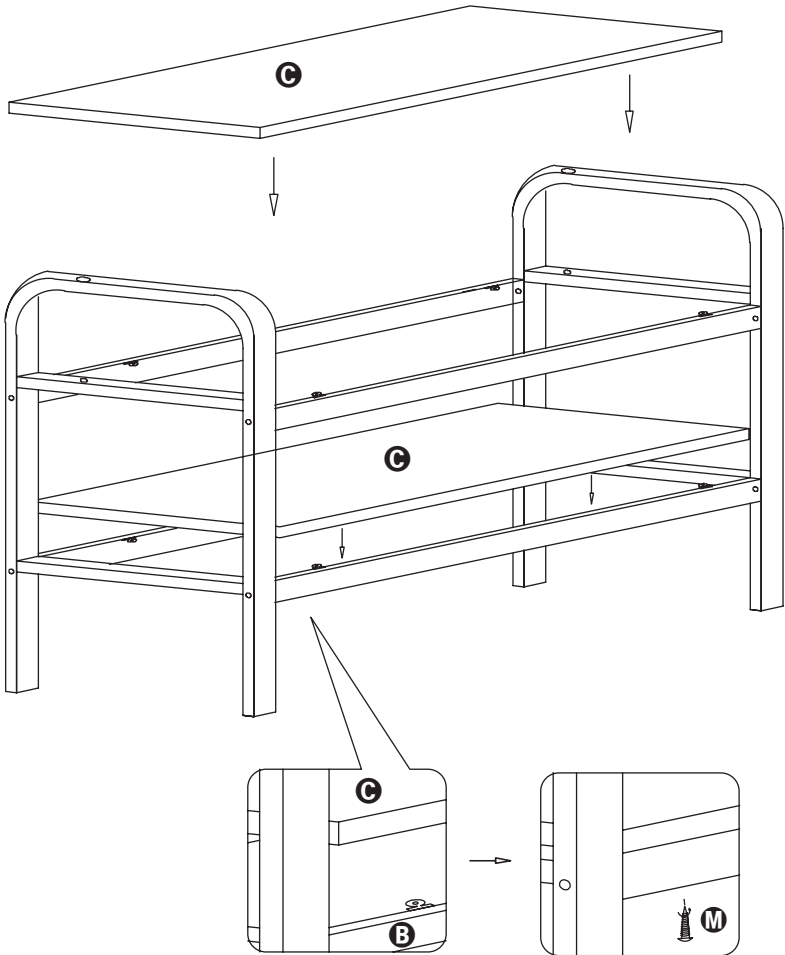
# ASSEMBLY

1



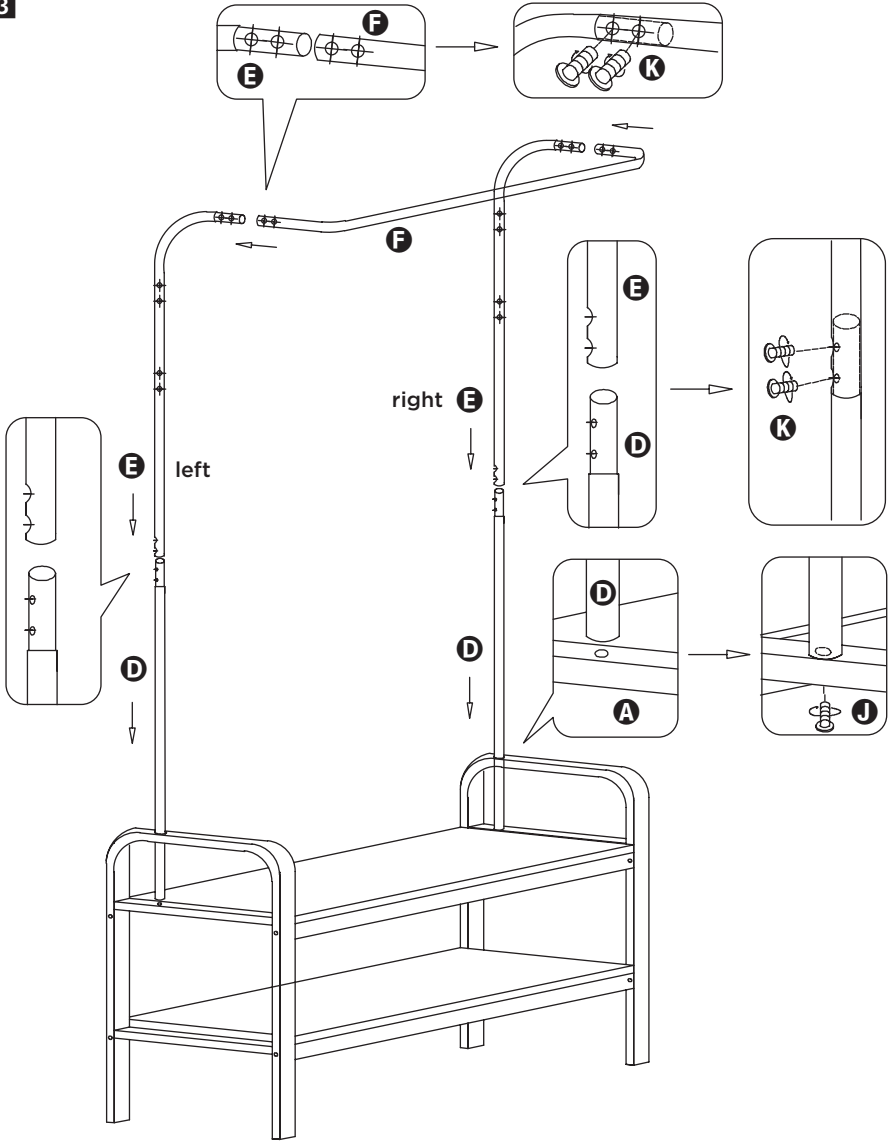
# ASSEMBLY

2



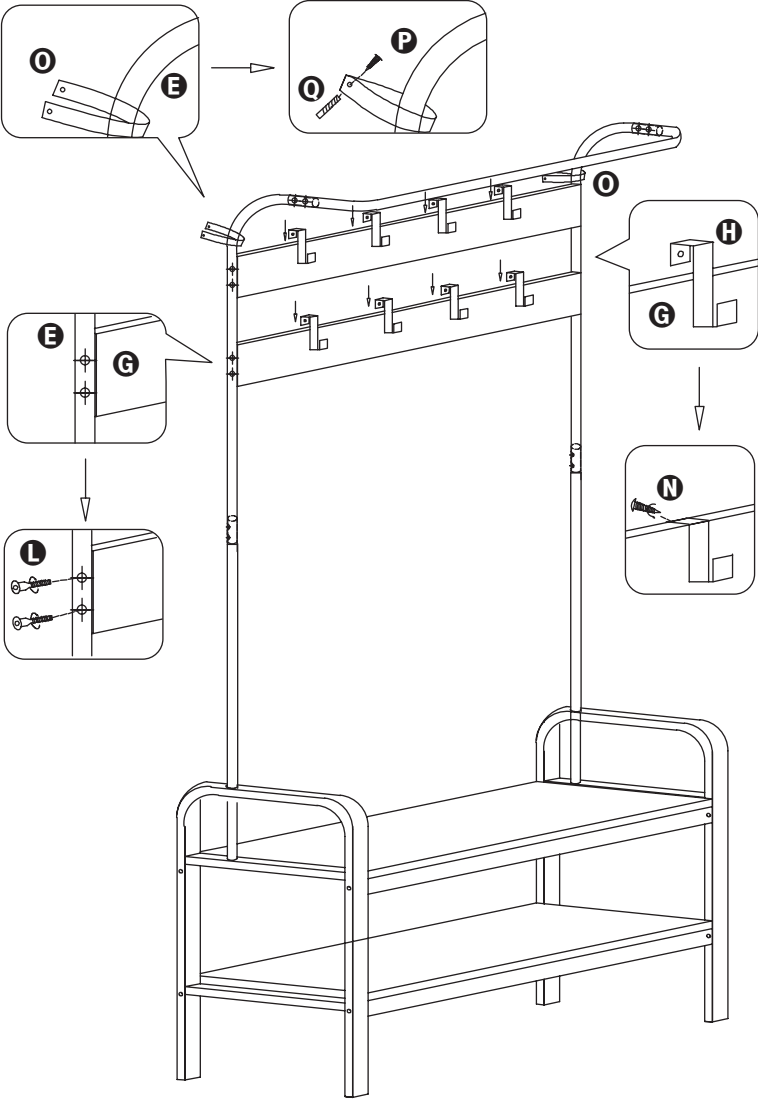
# ASSEMBLY

3



# ASSEMBLY

4





honey•can•do

**Honey-Can-Do International**

5300 St. Charles Road, Berkeley, IL 60163 USA  
877.242.2636 | [honeycando.com](http://honeycando.com) | [support@honeycando.com](mailto:support@honeycando.com)  
©2021 Honey-Can-Do International, LLC | All Rights Reserved

Visit [youtube.com/myhoneycando](https://www.youtube.com/myhoneycando) to watch our assembly videos.