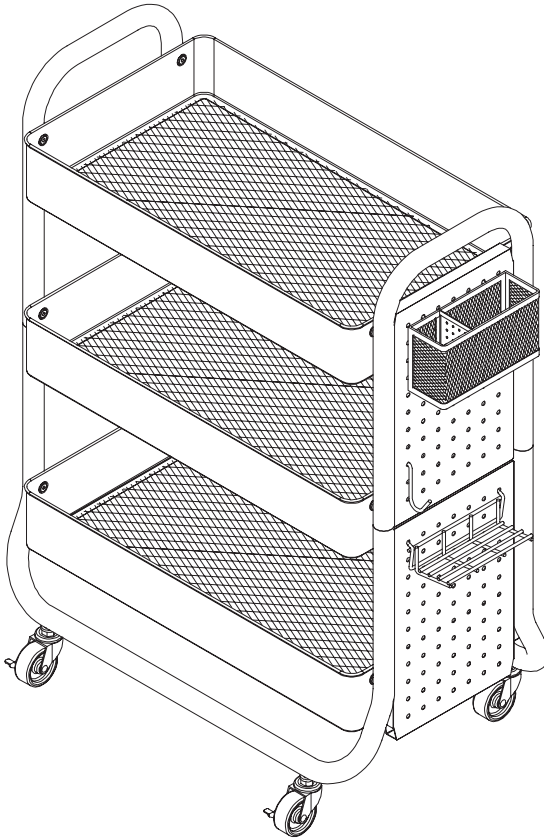




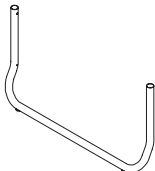
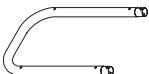
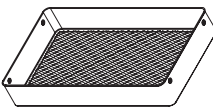
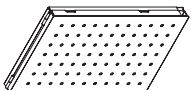








CRT-09607

# 3-tier rolling cart

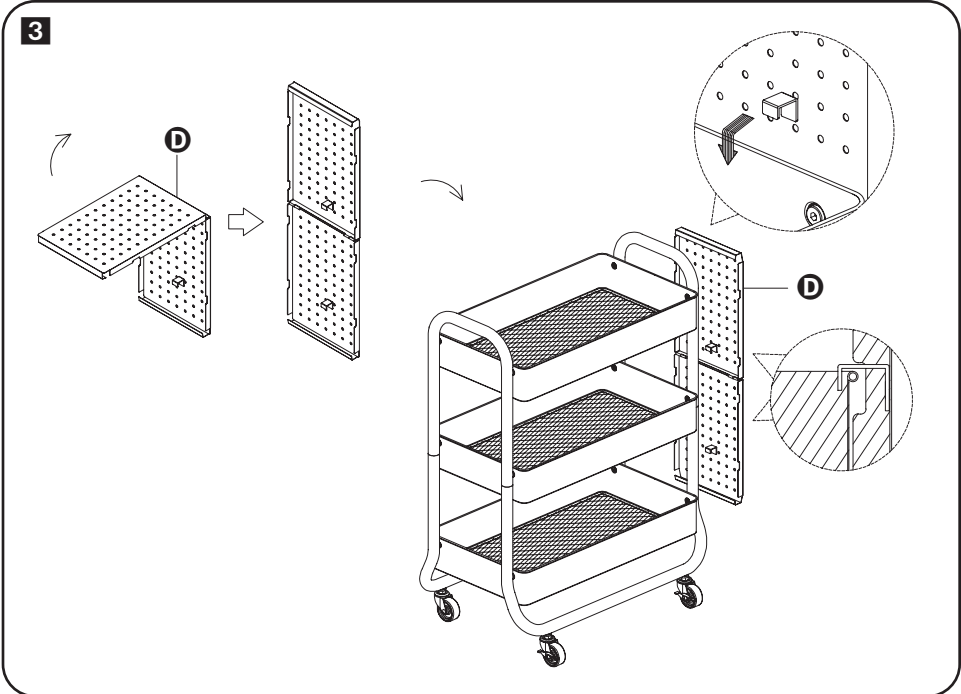
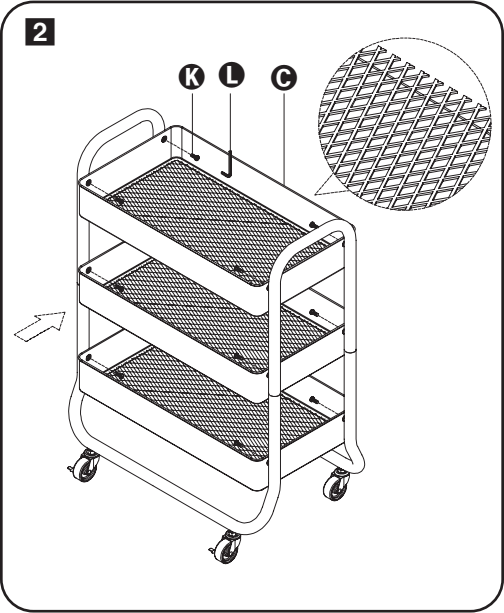
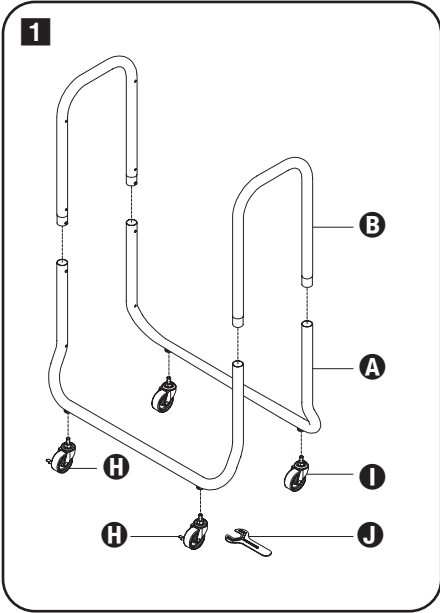


**25.9" L x 14.6" W x 31.7" H**

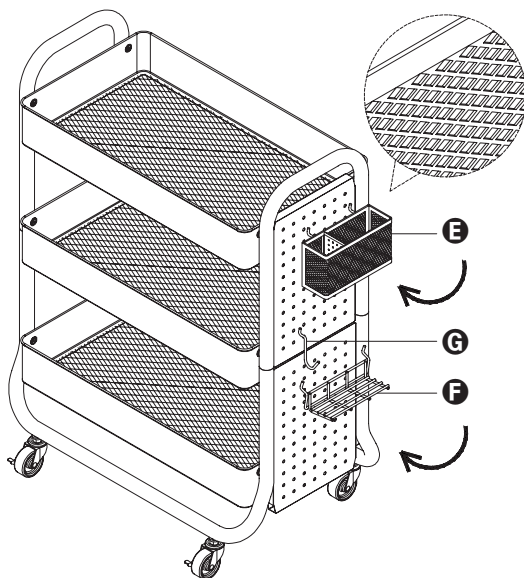
# PARTS LIST

PART/ILLUSTRATION	(QTY)	DESCRIPTION
<b>A</b> 	(2)	bottom supports
<b>B</b> 	(2)	top supports
<b>C</b> 	(3)	shelf baskets
<b>D</b> 	(1)	pegboard
<b>E</b> 	(1)	hanging basket
<b>F</b> 	(1)	hanging shelf
<b>G</b> 	(1)	hook
<b>H</b> 	(2)	locking casters
<b>I</b> 	(2)	casters
<b>J</b> 	(1)	caster wrench
<b>K</b> 	(12)	pan head, hex socket screws (1/4" x 15mm)
<b>L</b> 	(1)	hex wrench

# ASSEMBLY



3



honey•can•do

**Honey-Can-Do International**

5300 St. Charles Road, Berkeley, IL 60163 USA  
877.242.2636 | [honeycando.com](http://honeycando.com) | [support@honeycando.com](mailto:support@honeycando.com)  
©2021 Honey-Can-Do International, LLC | All Rights Reserved

Visit [youtube.com/myhoneycando](https://www.youtube.com/myhoneycando) to watch our assembly videos.

210507