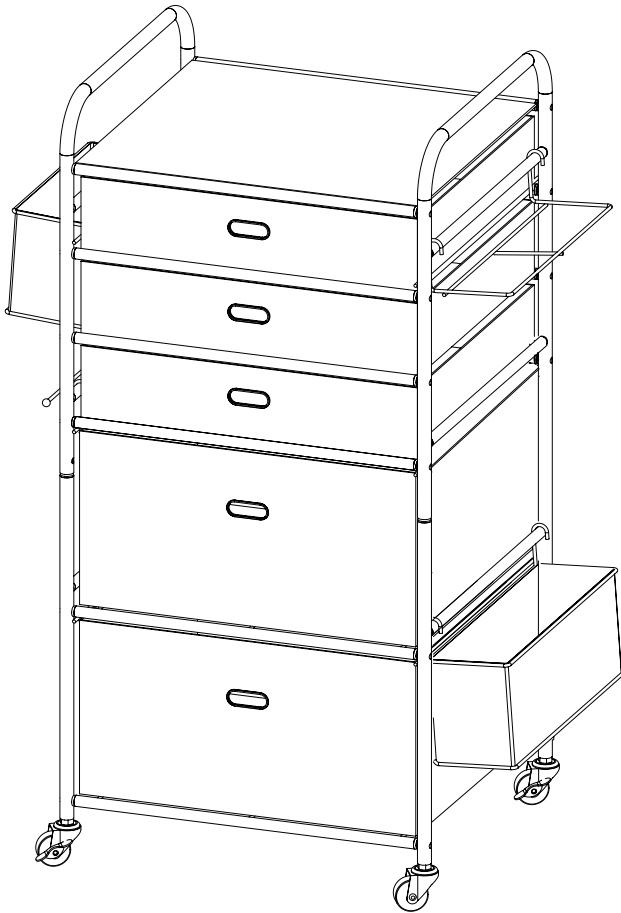




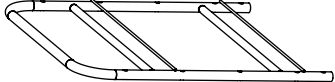
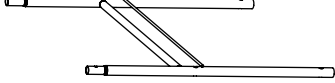
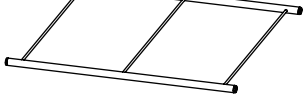

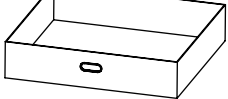
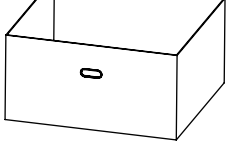

CRT-09403

gift wrap cart



18" L x 16" W x 36" H

PARTS LIST

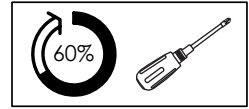
PART/ILLUSTRATION	(QTY)	DESCRIPTION
① 	(2)	top side frame
② 	(2)	bottom side frame
③ 	(6)	drawer frames
④ 	(1)	top
⑤ 	(3)	small drawers
⑥ 	(2)	large drawers
⑦ 	(5)	drawer bottom board

PARTS LIST

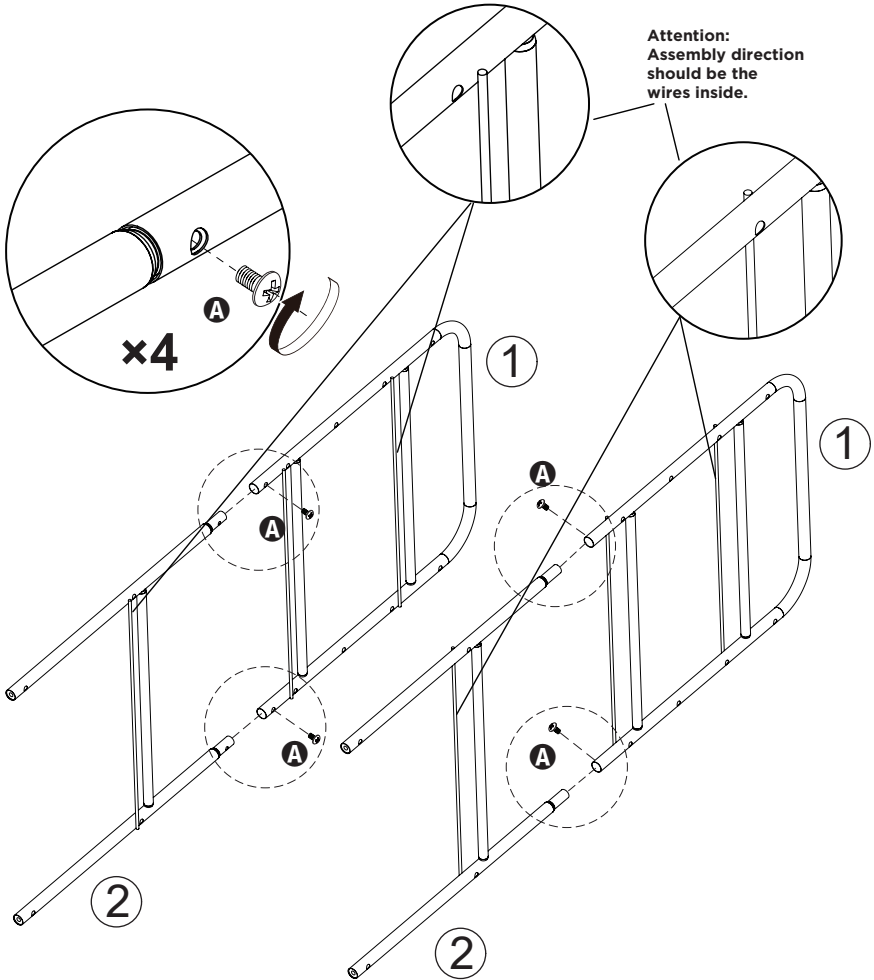
PART/ILLUSTRATION	(QTY)	DESCRIPTION
8	(1)	small bin
9	(1)	large bin
10	(1)	spool
11	(1)	accessory bar
12	(1)	hooks
A	(4)	truss head, phillips recess screws(M5 x 10mm)
B	(24)	truss head, phillips recess screws(M5 x 25mm)
C	(2)	casters
D	(2)	locking casters
E	(1)	wrench

ASSEMBLY

- 1** NOTE: Do not tighten screws until step **3**.
Phillips screwdriver not included.

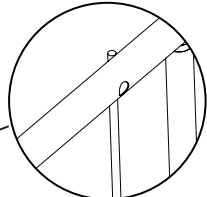
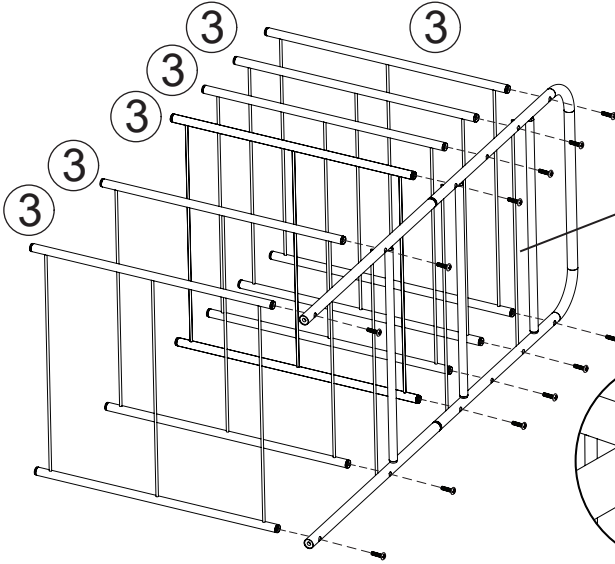
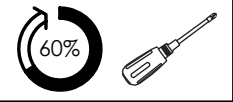


Attention:
Assembly direction
should be the
wires inside.

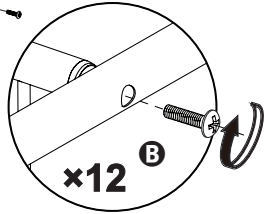


ASSEMBLY

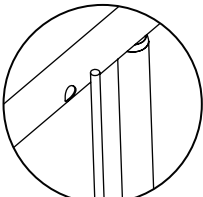
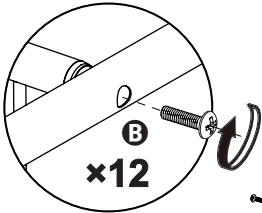
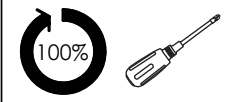
2 NOTE: Do not tighten screws until the end.



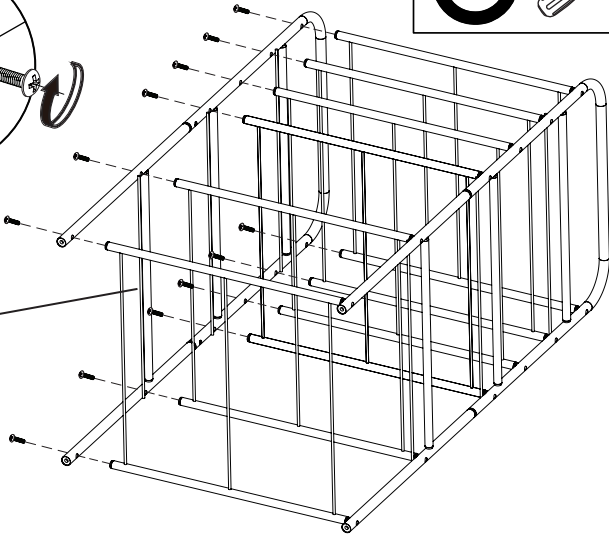
Attention:
Assembly direction
should be the
wires inside.



3 NOTE: Tighten all screws.

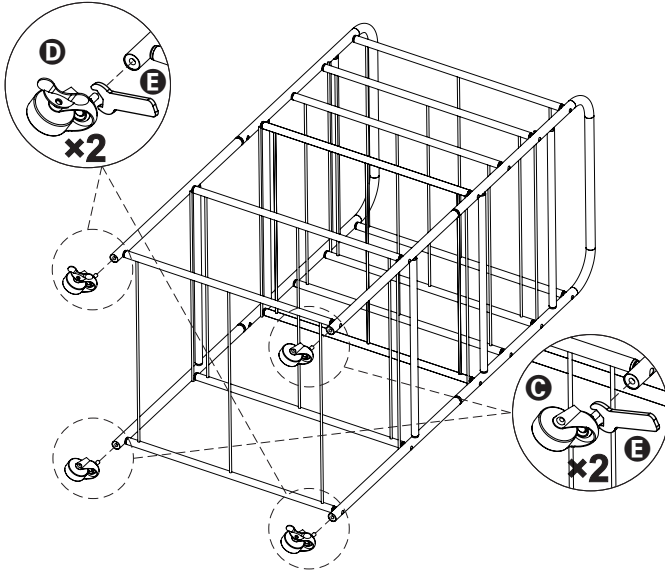


Attention:
Assembly direction
should be the
wires inside.

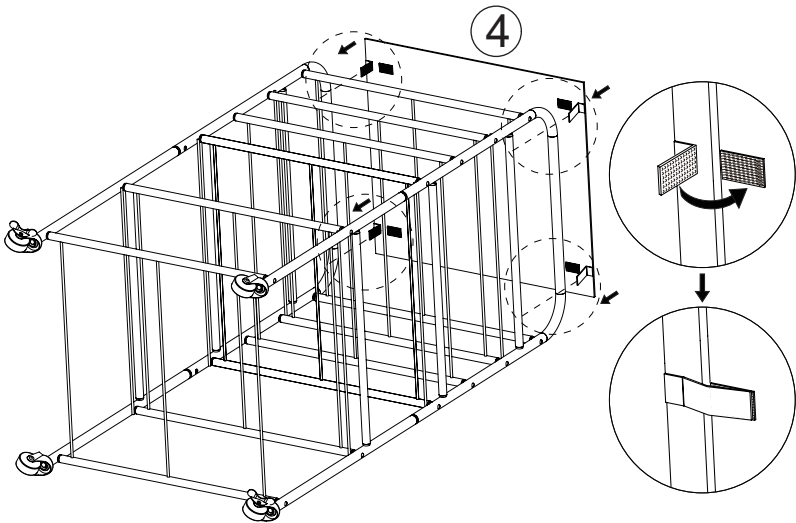


ASSEMBLY

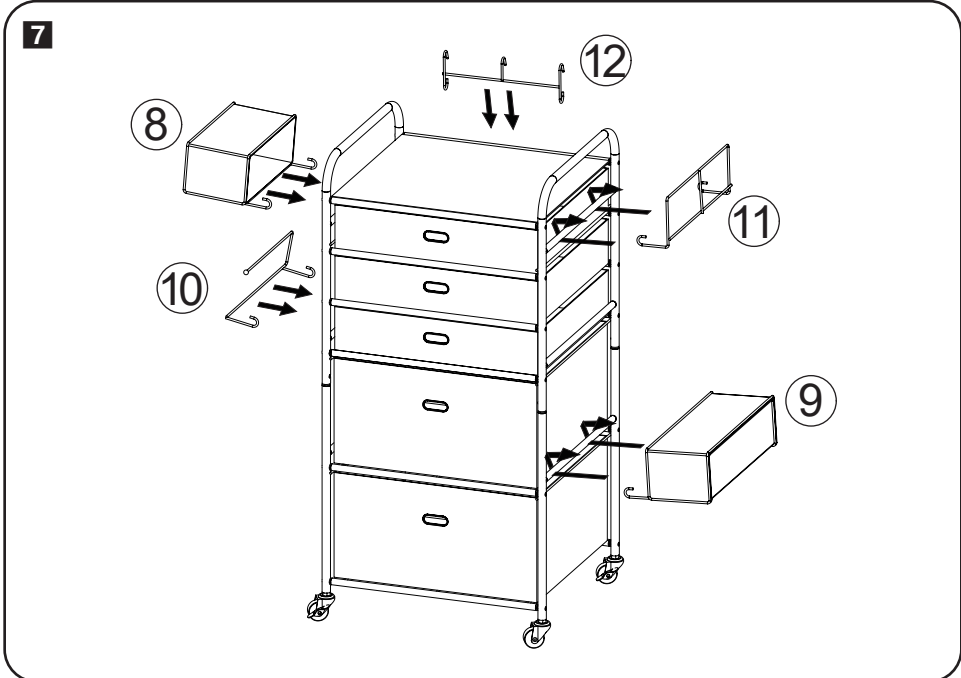
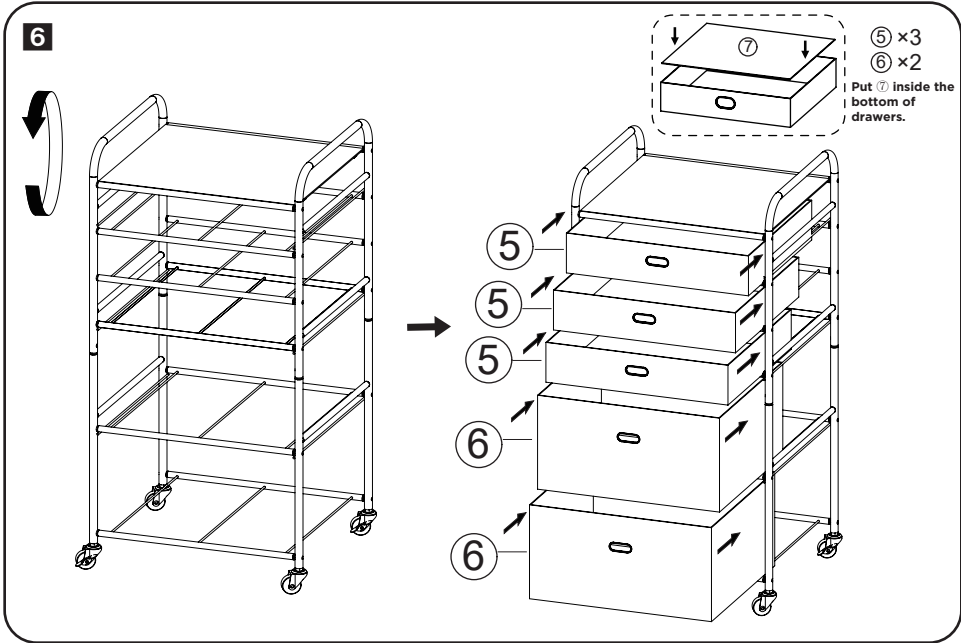
4



5



ASSEMBLY





honey•can•do

Honey-Can-Do International

5300 St. Charles Road, Berkeley, IL 60163 USA

877.242.2636 | honeycando.com | support@honeycando.com

©2022 Honey-Can-Do International, LLC | All Rights Reserved

Visit [youtube.com/myhoneycando](https://www.youtube.com/myhoneycando) to watch our assembly videos.