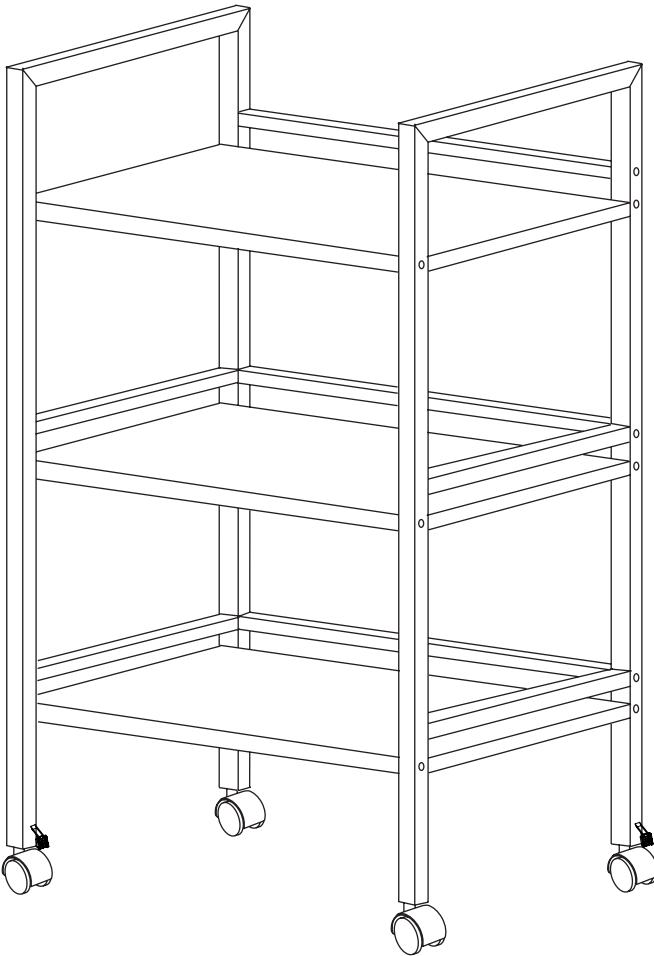




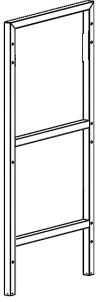

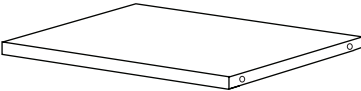



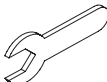
CRT-03090
CRT-03091
CRT-03092

3-shelf rolling metal cart
carrito de metal con ruedas y tres repisas
chariot métallique roulant 3 étagères



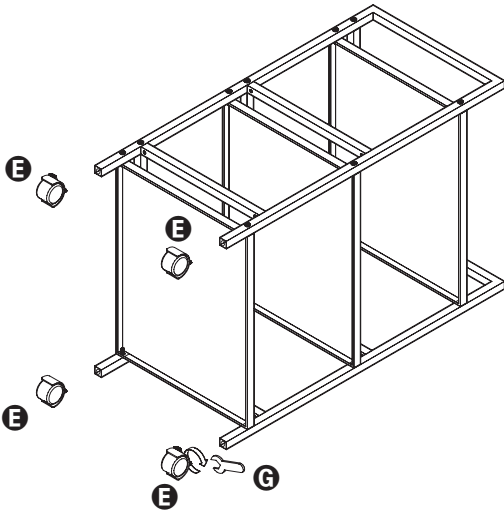
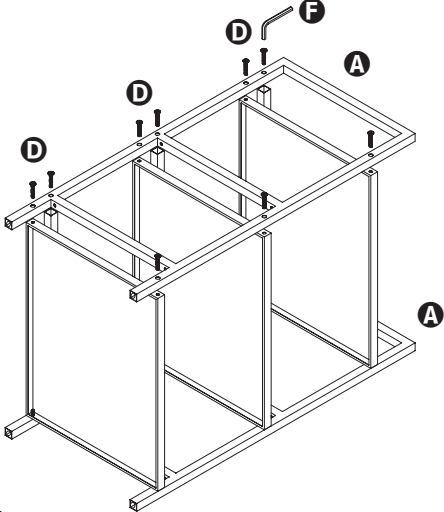
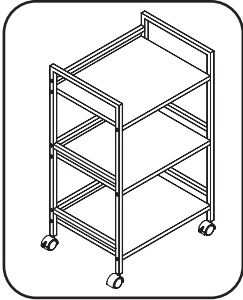
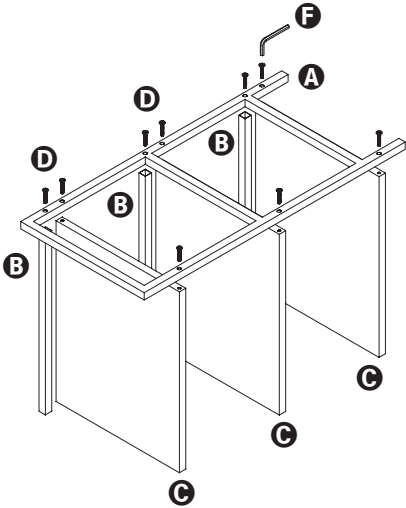
18.90 in L x 13.78 in W x 31.1 in H / 48 cm L x 35 cm W x 79 cm H

PARTS LIST

PART/ILLUSTRATION	(QTY)	DESCRIPTION
A 	(2)	supports soportes le support
B 	(3)	support bar barra de soporte barre de support
C 	(3)	file frame marco de archivo cadre de fichier
D 	(18)	pan head, hex socket screws (M6 x 1 x 30mm) cabeza redonda, tornillos hexagonales (M6 x 1 x 30mm) tête cylindrique, vis à six pans creux (M6 x 1 x 30mm)
E 	(4)	casters ruedas roulettes
F 	(1)	hex wrench llave hexagonal clé hexagonale
G 	(1)	casters ruedas roulettes

ASSEMBLY

1





honey•can•do

Honey-Can-Do International

5300 St. Charles Road, Berkeley, IL 60163 USA
877.242.2636 | honeycando.com | support@honeycando.com
©2021 Honey-Can-Do International, LLC | All Rights Reserved

Visit [youtube.com/myhoneycando](https://www.youtube.com/myhoneycando) to watch our assembly videos.