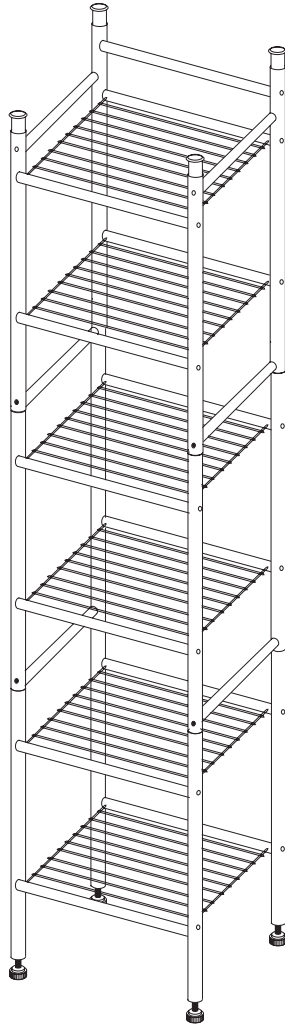




honey•can•do

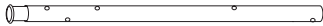
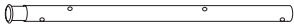
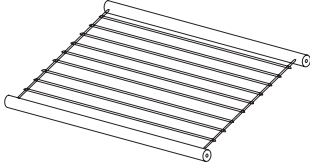

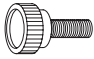
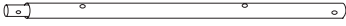
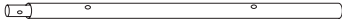

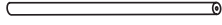
BTH-03484  
BTH-09014  
BTH-09136

# 6-tier space saver shelf

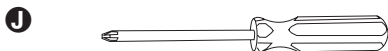


**12.6 in L x 11.02 in W x 59.84 in H**

# PARTS LIST

PART/ILLUSTRATION	(QTY)	DESCRIPTION
<b>A</b>  51 cm L (20.07 in L)	( 2 )	back upper uprights
<b>B</b>  48 cm L (18.9 in L)	( 2 )	front upper uprights
<b>C</b> 	( 6 )	shelf
<b>D</b> 	( 38 )	truss head, phillips recess screws (1/4" x 20 x 1")
<b>E</b> 	( 4 )	feet
<b>F</b>  52 cm L (20.47 in L)	( 4 )	middle uprights
<b>G</b>  52 cm L (20.47 in L)	( 4 )	lower uprights
<b>H</b>  25 cm L (9.84 in L)	( 6 )	side supports
<b>I</b>  29 cm L (11.42 in L)	( 1 )	back supports

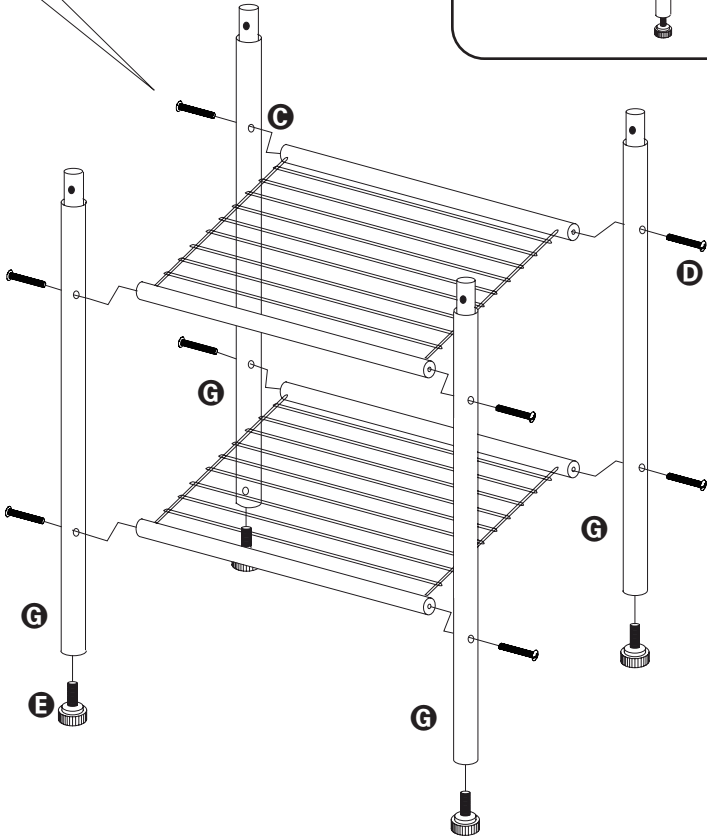
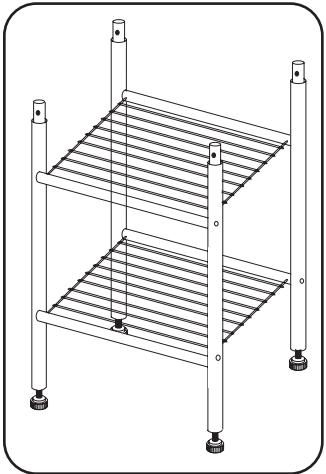
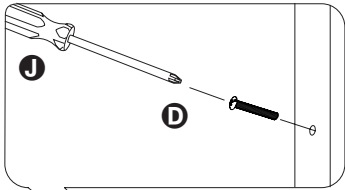
## TOOLS NOT INCLUDED



phillips screwdriver

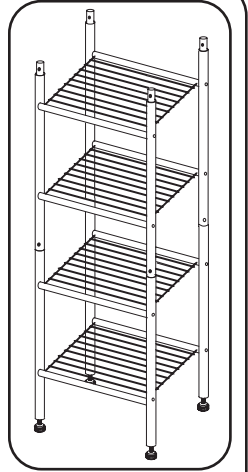
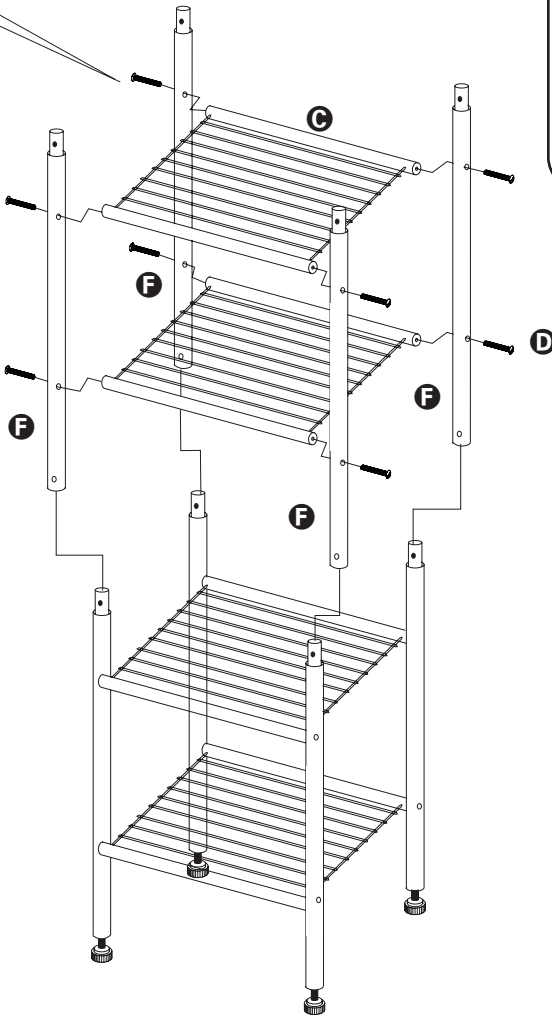
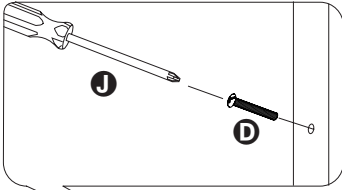
# ASSEMBLY

1



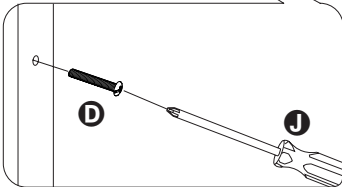
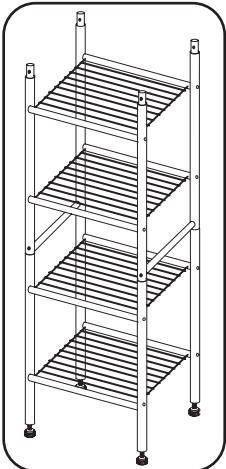
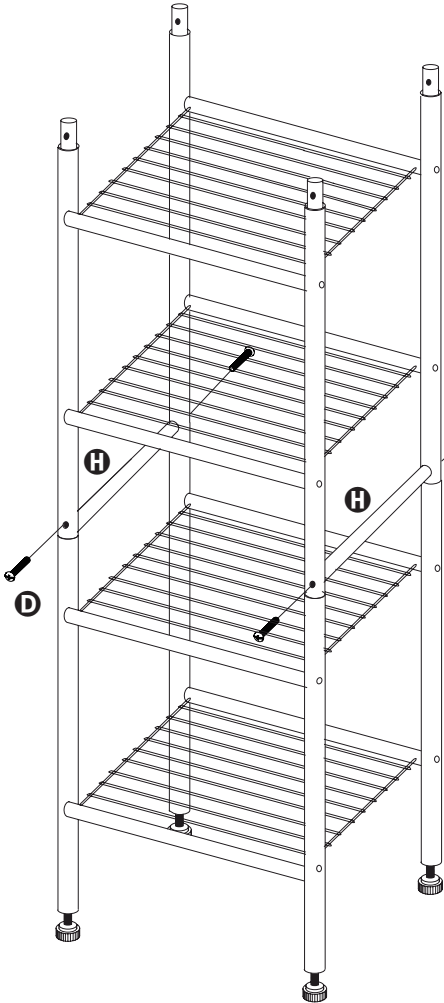
# ASSEMBLY

2



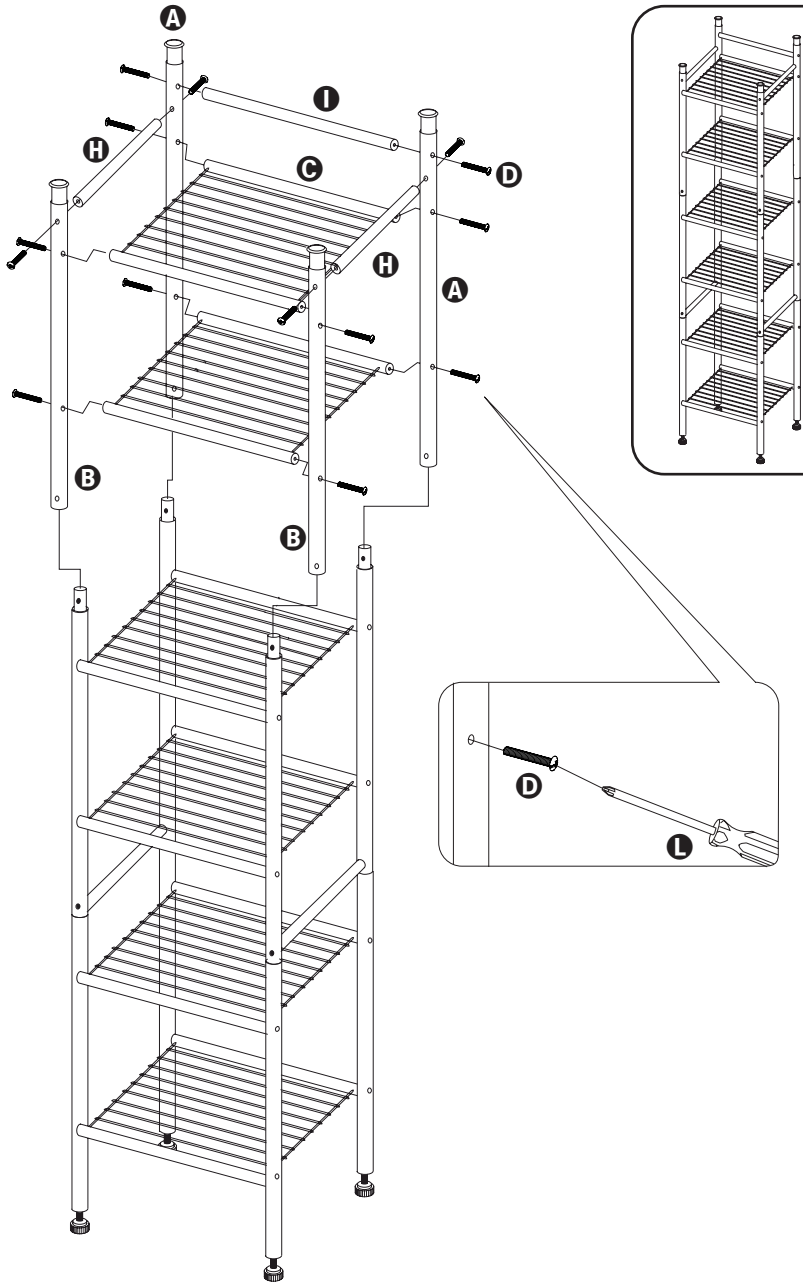
# ASSEMBLY

3



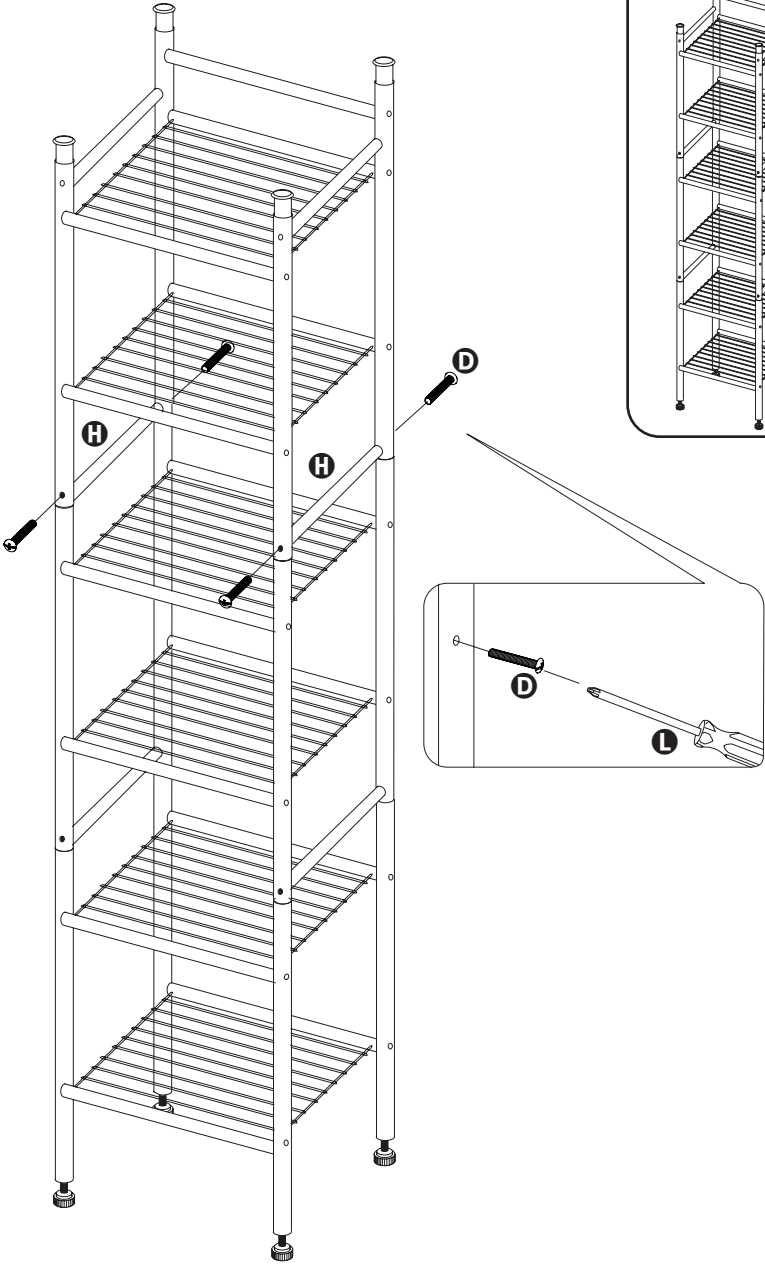
# ASSEMBLY

4



# ASSEMBLY

5





honey•can•do

**Honey-Can-Do International**

5300 St. Charles Road, Berkeley, IL 60163 USA

877.242.2636 | [honeycando.com](http://honeycando.com) | [support@honeycando.com](mailto:support@honeycando.com)

©2023 Honey-Can-Do International, LLC | All Rights Reserved

Visit [youtube.com/myhoneycando](https://www.youtube.com/myhoneycando) to watch our assembly videos.