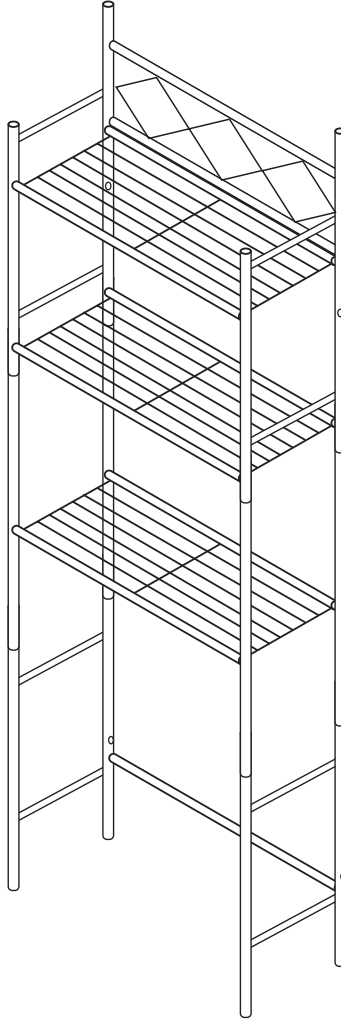




honey•can•do

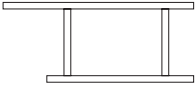

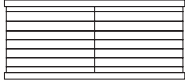
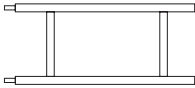
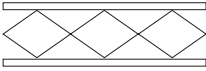



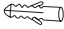
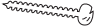
BTH-08989

3-tier space saver shelf



23 in L x 9.6 in W x 64.9 in H

PARTS LIST

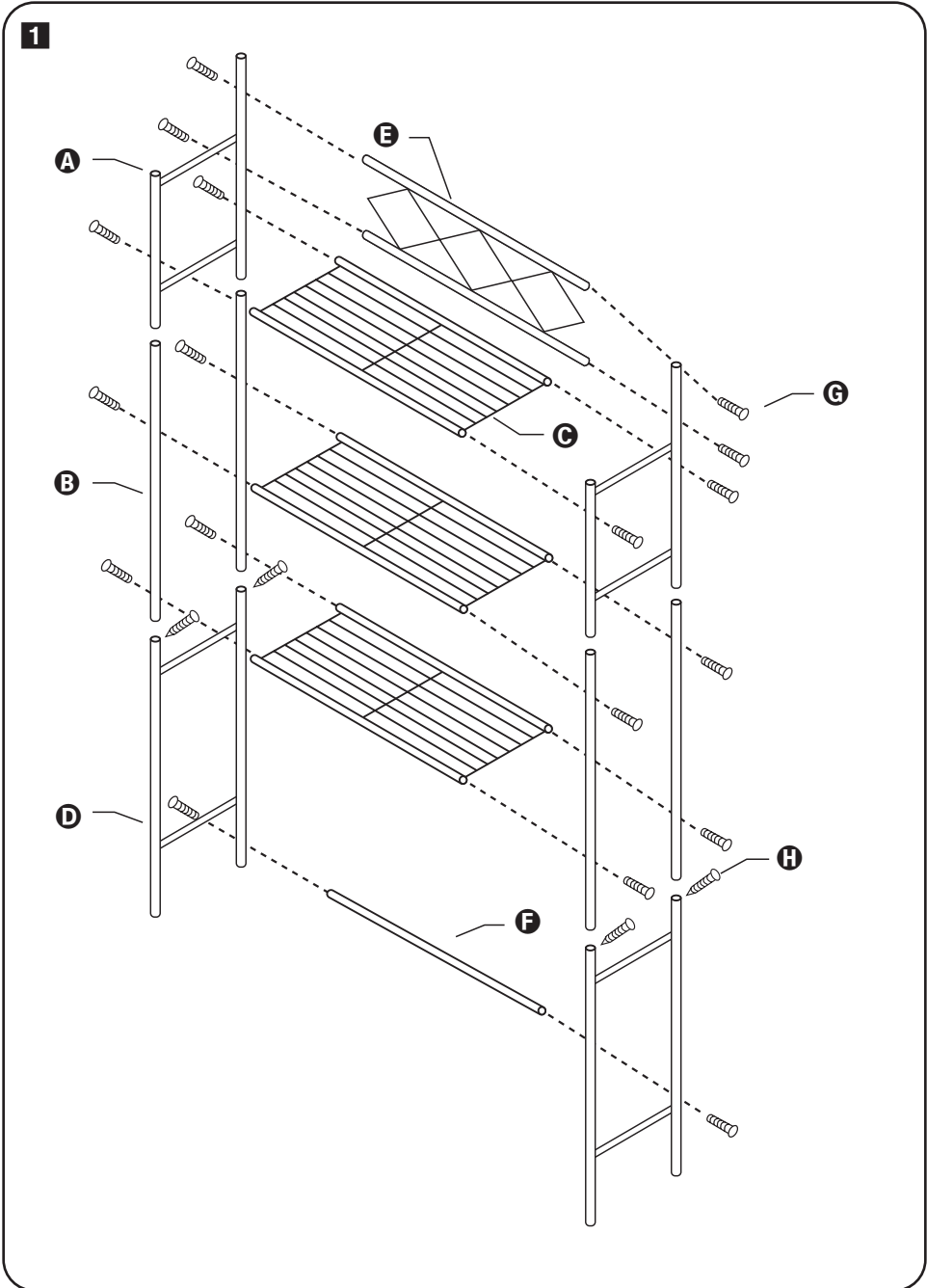
PART/ILLUSTRATION	(QTY)	DESCRIPTION
A 	(2)	vertical top shelf brackets
B 	(4)	vertical middle shelf brackets
C 	(3)	shelves
D 	(2)	vertical bottom shelf brackets
E 	(1)	horizontal top decorative rail
F 	(1)	horizontal bottom rail
G 	(18)	truss head, combination screws (M6 x 1 x 25mm)
H 	(4)	truss head, phillips recess screws, self-tapping screws (M5 x 10mm)
I 	(2)	anchor
J 	(2)	pan head, phillips recess screws, self-tapping screws (M4 x 70mm)

TOOLS NOT INCLUDED

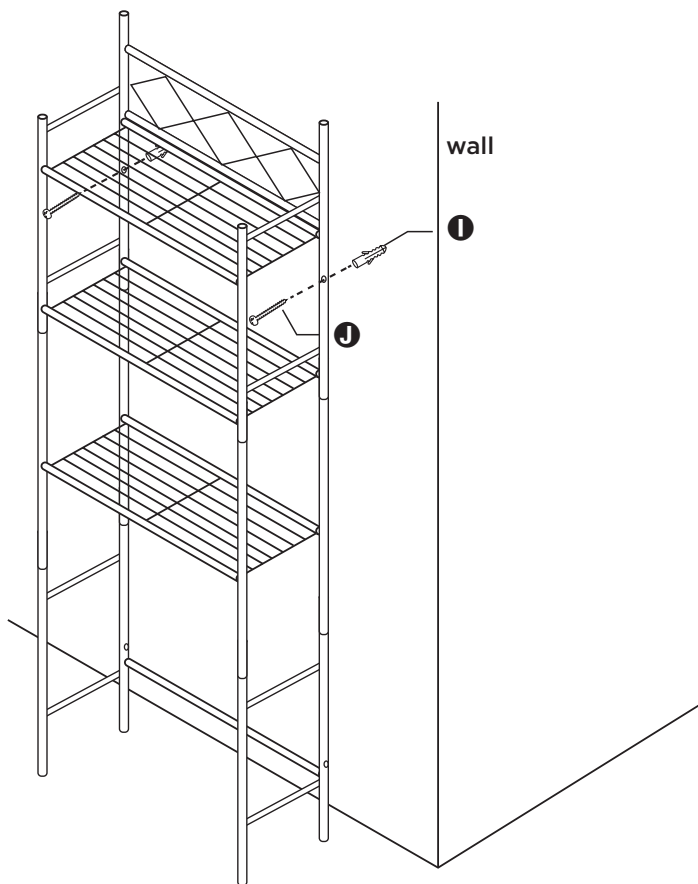


phillips screwdriver

ASSEMBLY



2



honey•can•do

Honey-Can-Do International

5300 St. Charles Road, Berkeley, IL 60163 USA

877.242.2636 | honeycando.com | support@honeycando.com

©2021 Honey-Can-Do International, LLC | All Rights Reserved

Visit [youtube.com/myhoneycando](https://www.youtube.com/myhoneycando) to watch our assembly videos.

210114