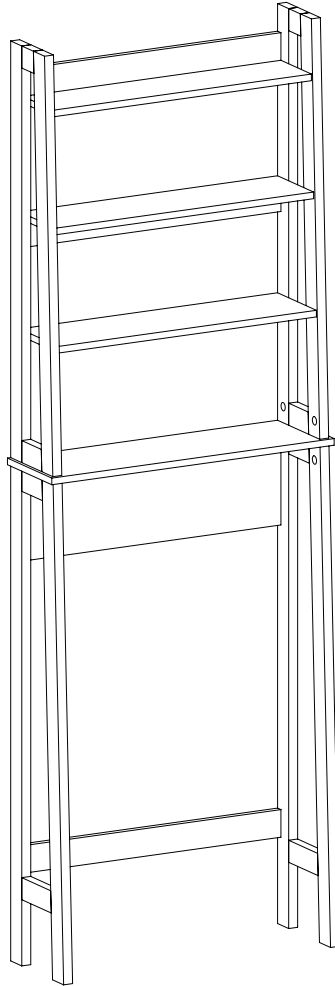




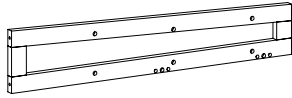
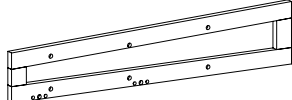

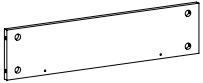





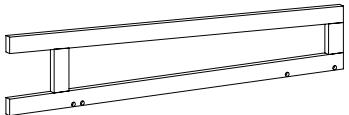
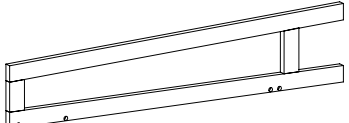
BTH-08794

bathroom space saver

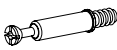

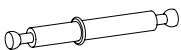



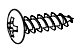



22.4" L x 7.5" W x 65.6" H

PARTS LIST

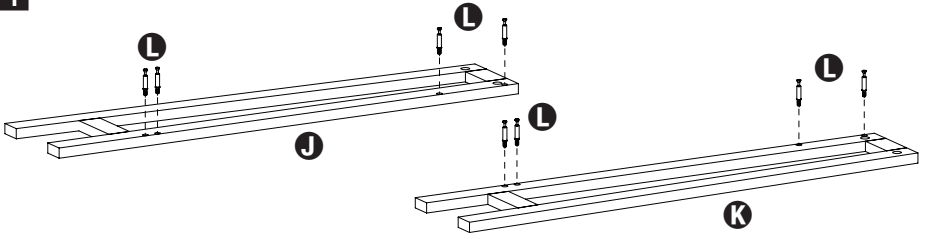
PART/ILLUSTRATION	(QTY)	DESCRIPTION
A 	(1)	upper left side frame
B 	(1)	upper right side frame
C 	(2)	rear bars
D 	(1)	shelf
E 	(1)	shelf
F 	(1)	shelf
G 	(1)	shelf
H 	(1)	rear board
I 	(1)	cross bar
J 	(1)	lower left side frame
K 	(1)	lower right side frame

PARTS LIST

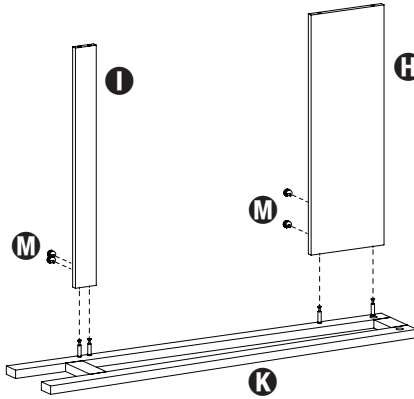
PART/ILLUSTRATION	(QTY)	DESCRIPTION
L 	(24)	cam lock screws
M 	(32)	cam lock nuts
N 	(4)	cam lock bolts
O 	(8)	wooden dowels
P 	(2)	safety brackets
Q 	(2)	anchors
R 	(2)	truss head, phillips recess, wood screws (M4x 10mm)
S 	(2)	truss head, phillips recess, self-tapping screws (M4x 30mm)

ASSEMBLY

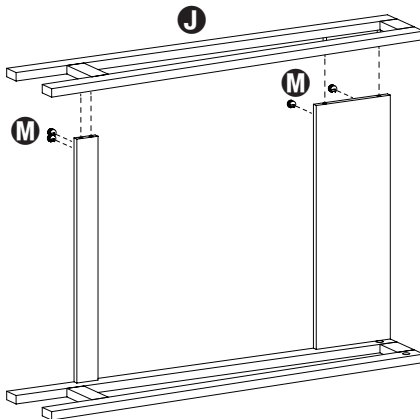
1



2

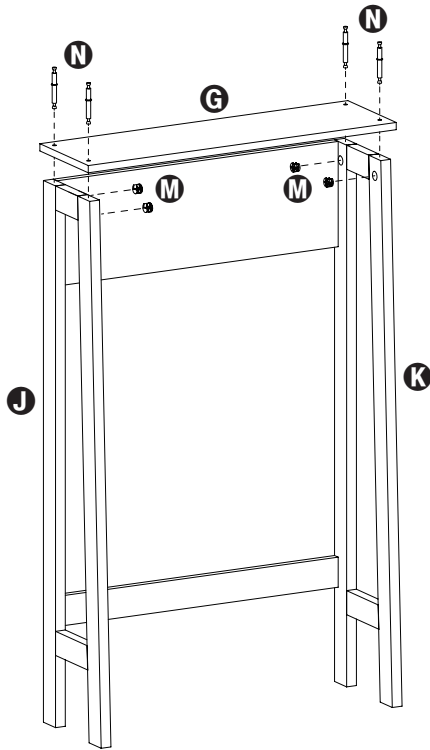


3

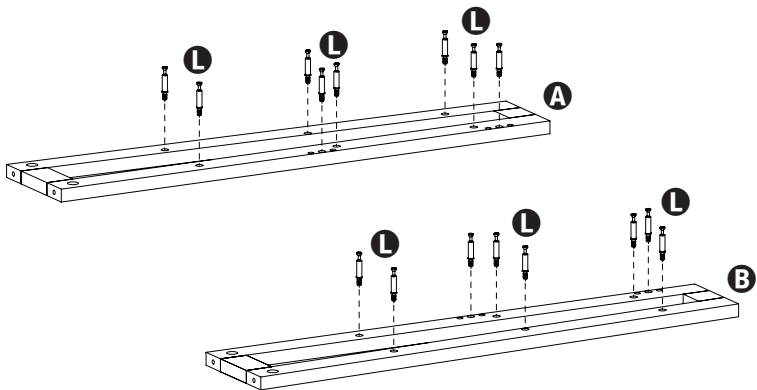


ASSEMBLY

4

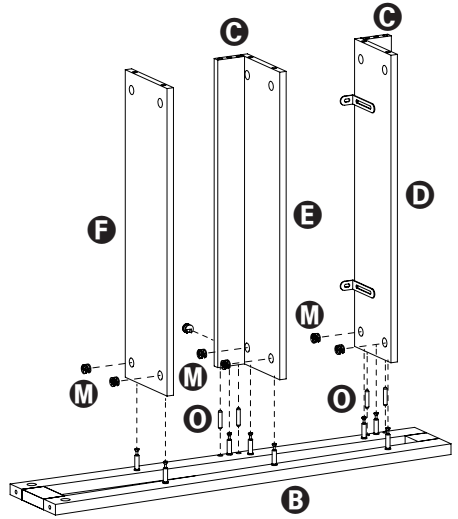
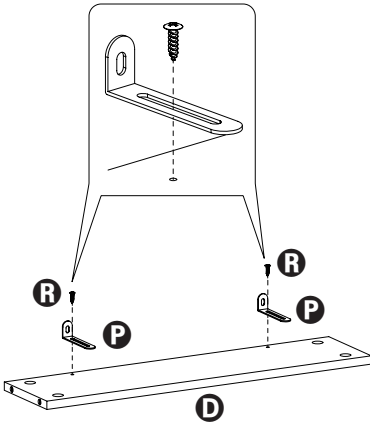


5

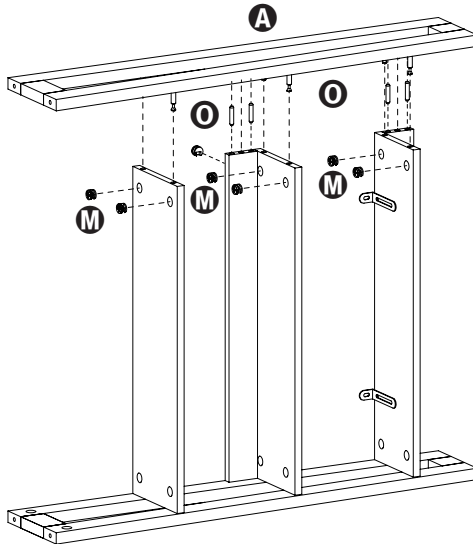


ASSEMBLY

6

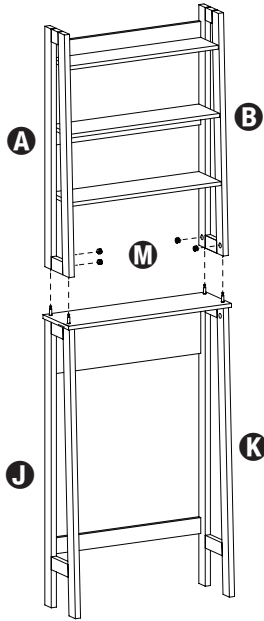


7

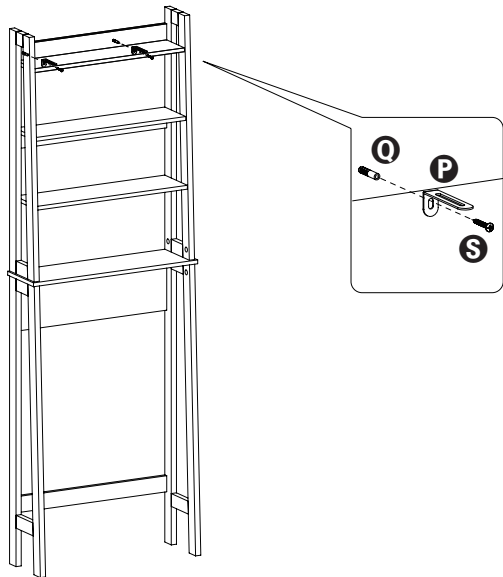


ASSEMBLY

8



9





honey•can•do

Honey-Can-Do International

5300 St. Charles Road, Berkeley, IL 60163 USA
877.242.2636 | honeycando.com | support@honeycando.com
©2021 Honey-Can-Do International, LLC | All Rights Reserved

Visit [youtube.com/myhoneycando](https://www.youtube.com/myhoneycando) to watch our assembly videos.