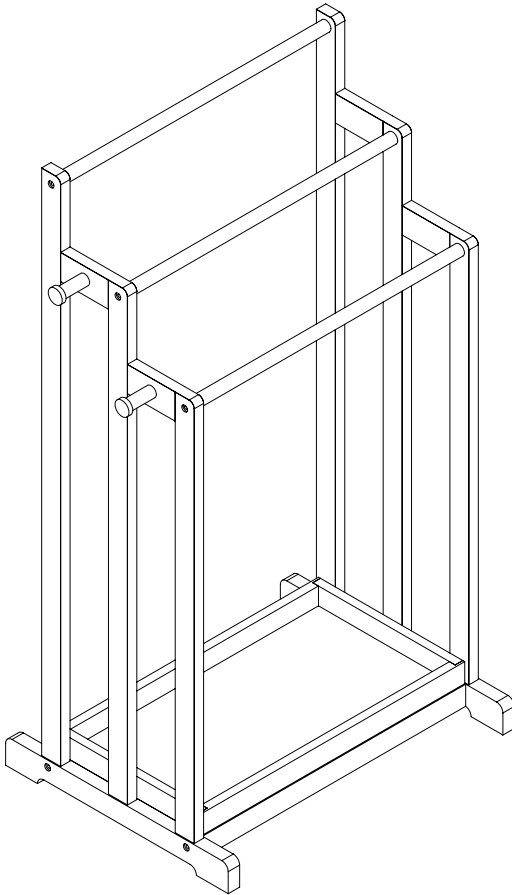




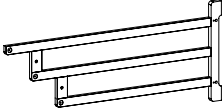
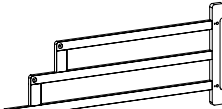




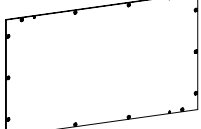





BTH-08793

3-tier towel rack



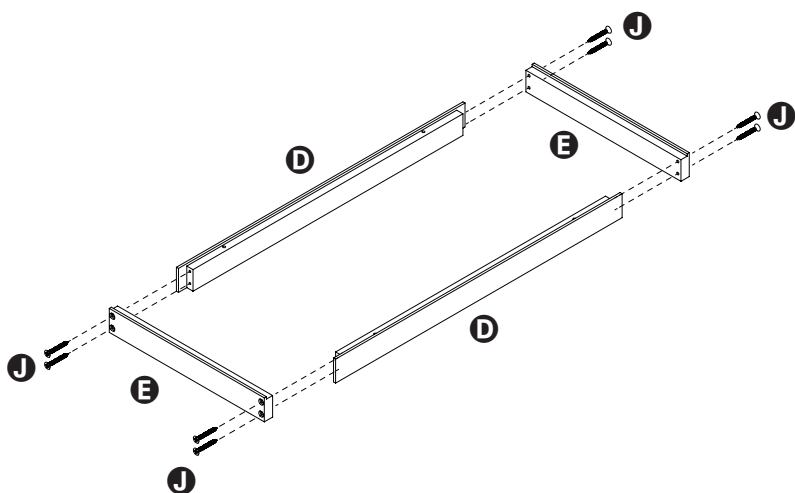
17.7" L x 13.8" W x 33.1" H

PARTS LIST

PART/ILLUSTRATION	(QTY)	DESCRIPTION
A 	(1)	left side frame
B 	(1)	right side frame
C 	(3)	support bars
D 	(2)	bin rail
E 	(2)	bin rail
F 	(2)	rail
G 	(1)	bin bottom board
H 	(2)	wood peg
I 	(14)	flat head, philips recess, wood screws (M3x 12mm)
J 	(8)	flat head, philips recess, wood screws (M3x 25mm)
K 	(16)	flat head, philips recess, wood screws (M4x 35mm)
L 	(4)	wooden dowel

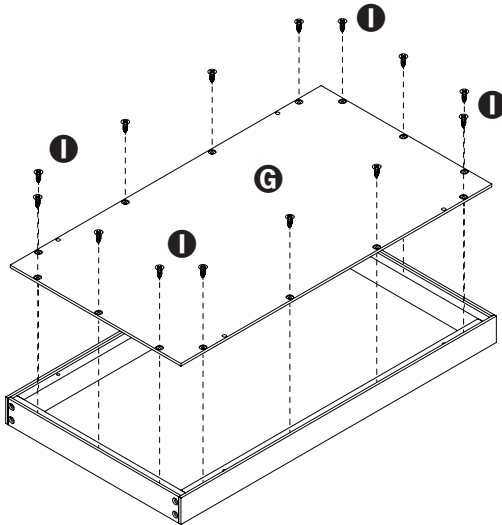
ASSEMBLY

1



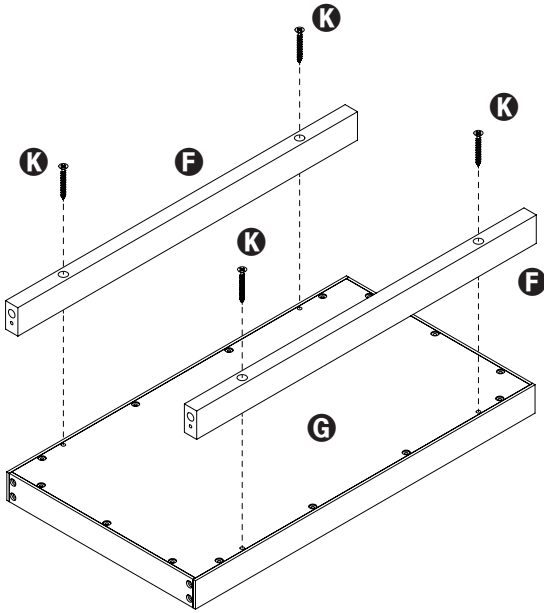
ASSEMBLY

2



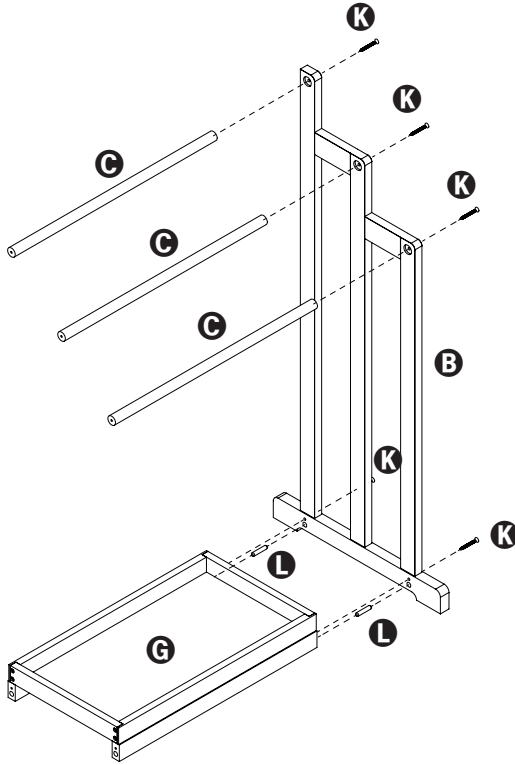
ASSEMBLY

3



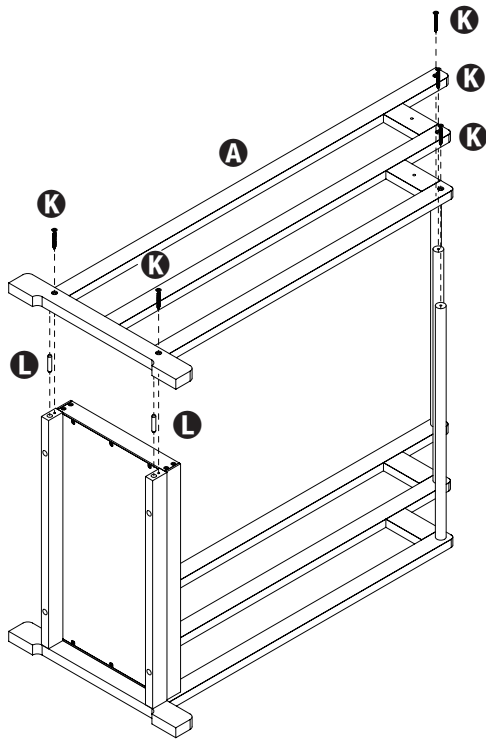
ASSEMBLY

4

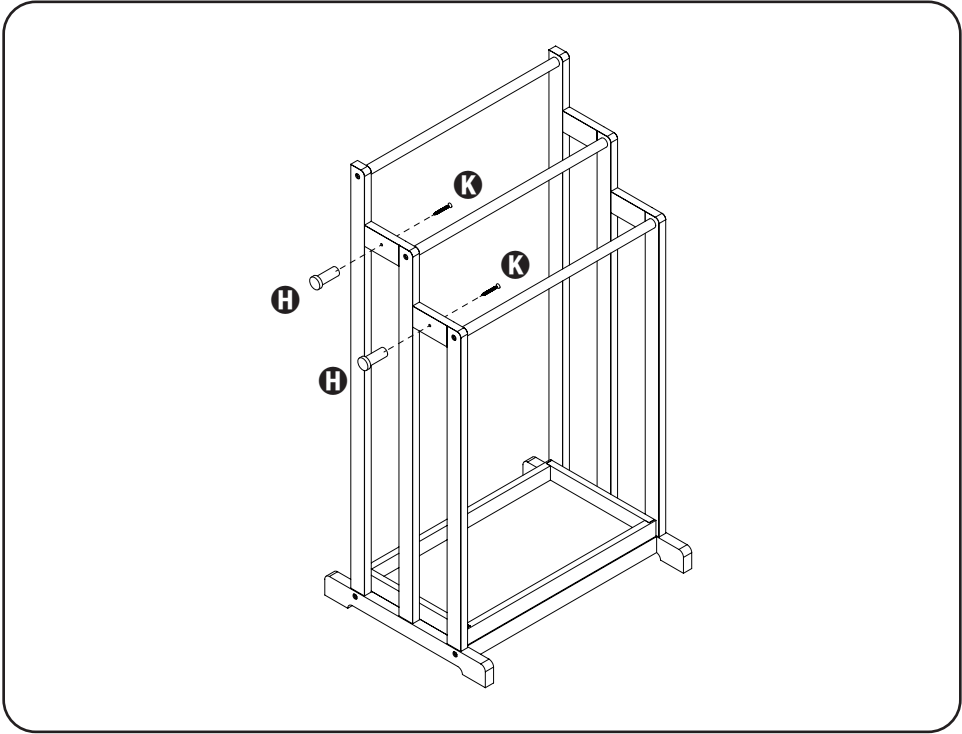


ASSEMBLY

5



ASSEMBLY



honey•can•do

Honey-Can-Do International

5300 St. Charles Road, Berkeley, IL 60163 USA

877.242.2636 | honeycando.com | support@honeycando.com

©2021 Honey-Can-Do International, LLC | All Rights Reserved

Visit [youtube.com/myhoneycando](https://www.youtube.com/myhoneycando) to watch our assembly videos.