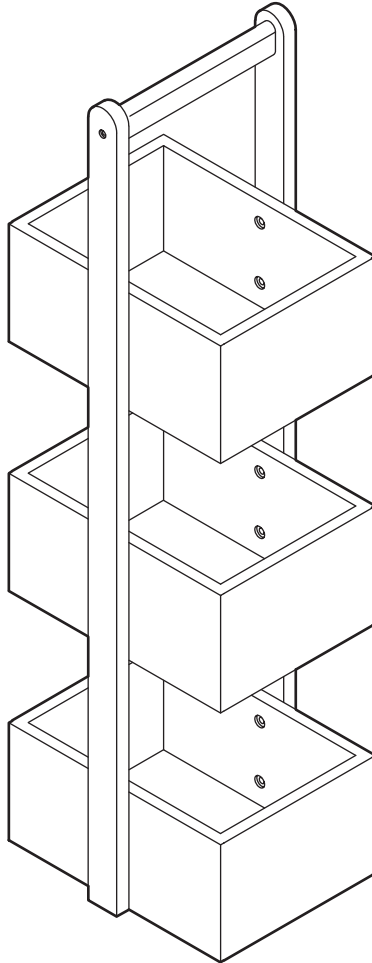




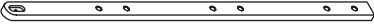
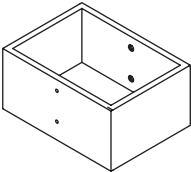
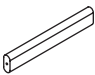
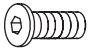
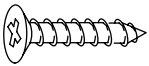


BTH-08790

# 3-tier storage caddy



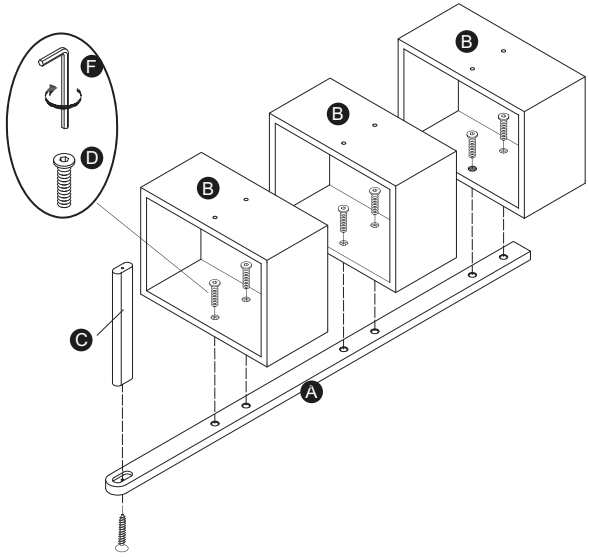
**8.7" L x 10.2" W x 33.5" H**

# PARTS LIST

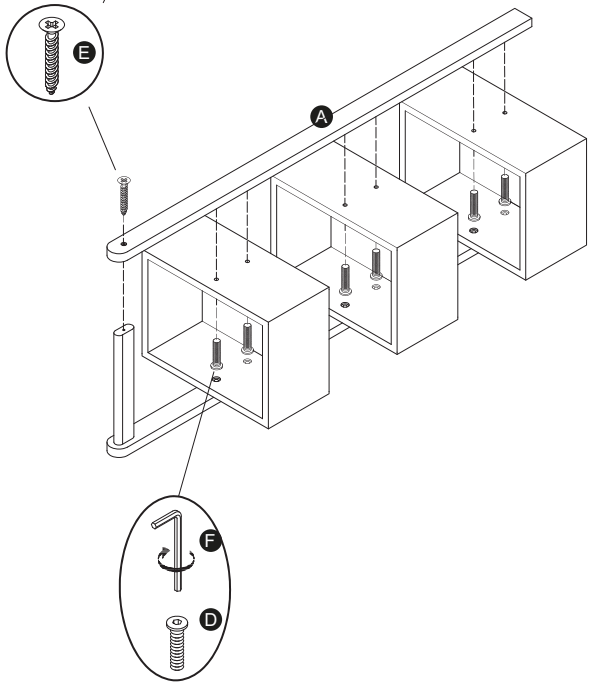
PART/ILLUSTRATION	(QTY)	DESCRIPTION
<b>A</b> 	(2)	side rail
<b>B</b> 	(3)	caddy
<b>C</b> 	(1)	rail
<b>D</b> 	(12)	pan head, hex socket screws (M6 x 1 x 20mm)
<b>E</b> 	(2)	flat head, philips recess, wood screws (M4 x 30mm)
<b>F</b> 	(1)	allen wrench
<b>G</b> 	(12)	bolt cap

# ASSEMBLY

1

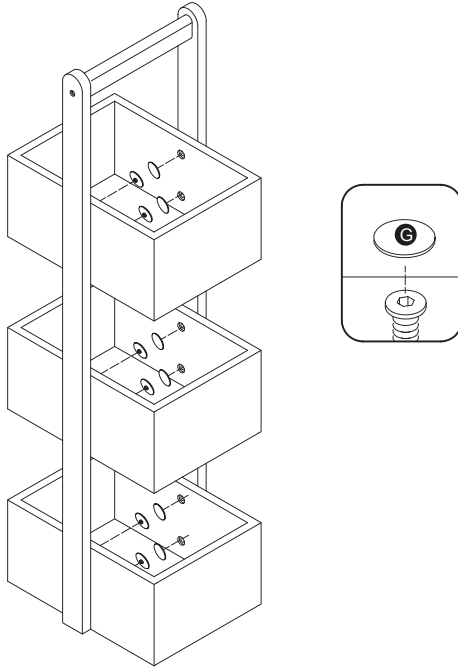


2



# ASSEMBLY

3



honey•can•do

**Honey-Can-Do International**

5300 St. Charles Road, Berkeley, IL 60163 USA  
877.242.2636 | [honeycando.com](http://honeycando.com) | [support@honeycando.com](mailto:support@honeycando.com)  
©2021 Honey-Can-Do International, LLC | All Rights Reserved

Visit [youtube.com/myhoneycando](https://www.youtube.com/myhoneycando) to watch our assembly videos.

210107