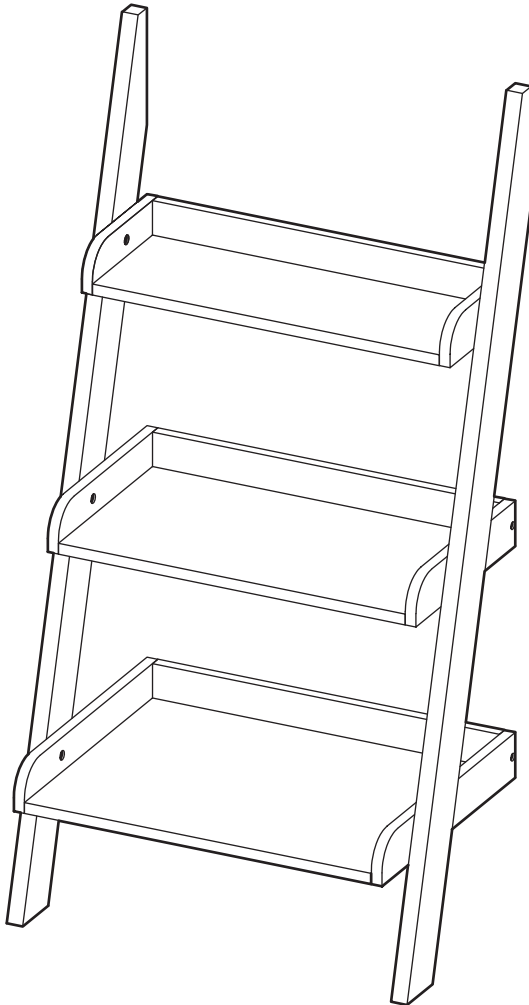




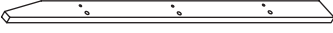
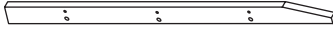

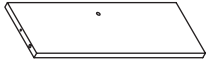
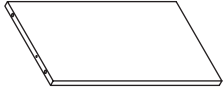
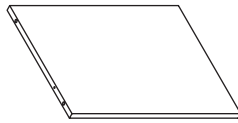

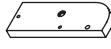
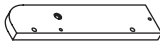
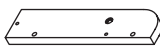
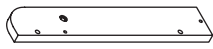
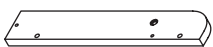
BTH-08789

3-tier ladder shelf



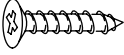









17.7" L x 11.8" W x 35.4" H

PARTS LIST

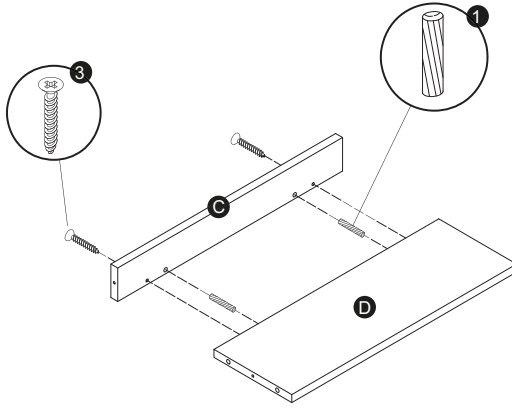
| PART/ILLUSTRATION | (QTY) | DESCRIPTION |
|--|-------|-------------------------|
| A  | (1) | left side rail |
| B  | (1) | right side rail |
| C  | (3) | back panel |
| D  | (1) | upper shelf |
| E  | (1) | middle shelf |
| F  | (1) | bottom shelf |
| G  | (1) | upper left side panel |
| H  | (1) | upper right side panel |
| I  | (1) | middle left side panel |
| J  | (1) | middle right side panel |
| K  | (1) | lower left side panel |
| L  | (1) | lower right side panel |

PARTS LIST

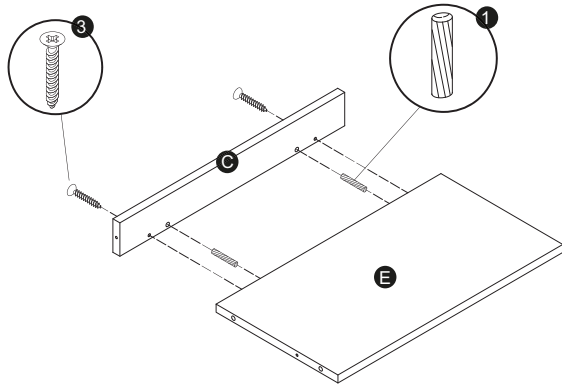
| PART/ILLUSTRATION | (QTY) | DESCRIPTION |
|--|-------|---|
| 1  | (16) | wooden dowel |
| 2  | (6) | wooden dowel |
| 3  | (19) | flat head, philips recess, wood screws (M4 x30mm) |
| 4  | (6) | pan head, hex socket screws (M6 x 1 x 20mm) |
| 5  | (1) | bracket |
| 6  | (1) | truss head, philips recess, wood screws (M4 x 10mm) |
| 7  | (1) | plastic anchor |
| 8  | (6) | bolt cap |
| 9  | (6) | screw cap |
| 10  | (1) | allen wrench |

ASSEMBLY

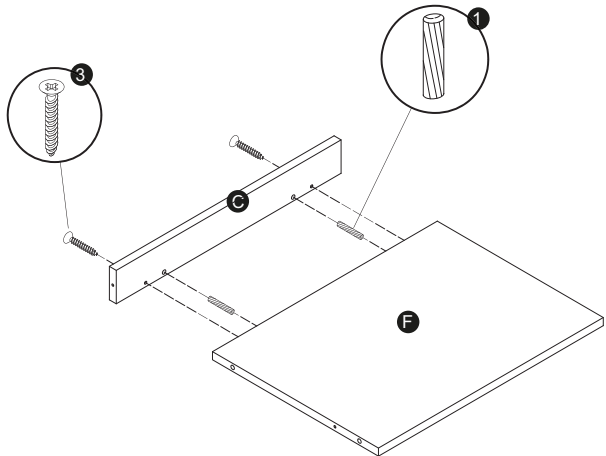
1



2

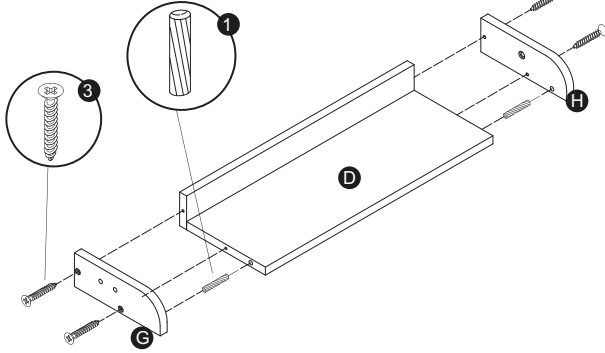


3

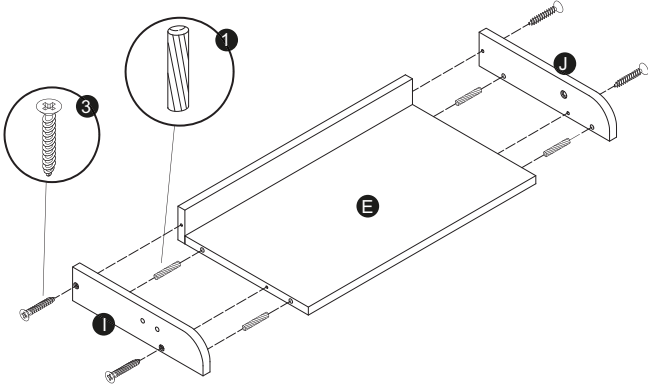


ASSEMBLY

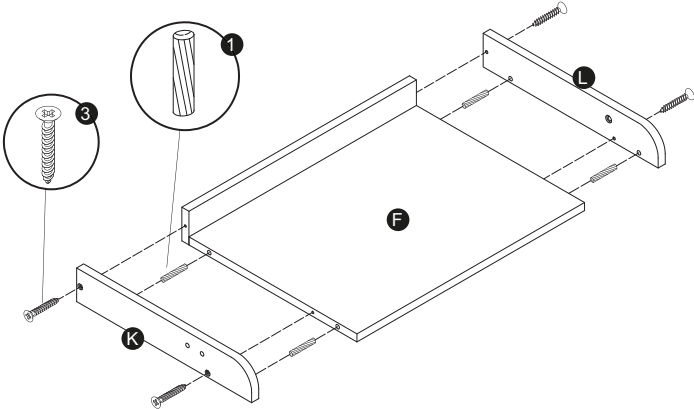
4



5

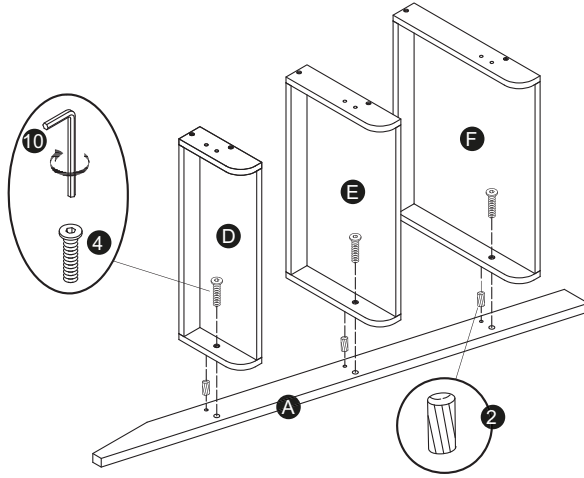


6

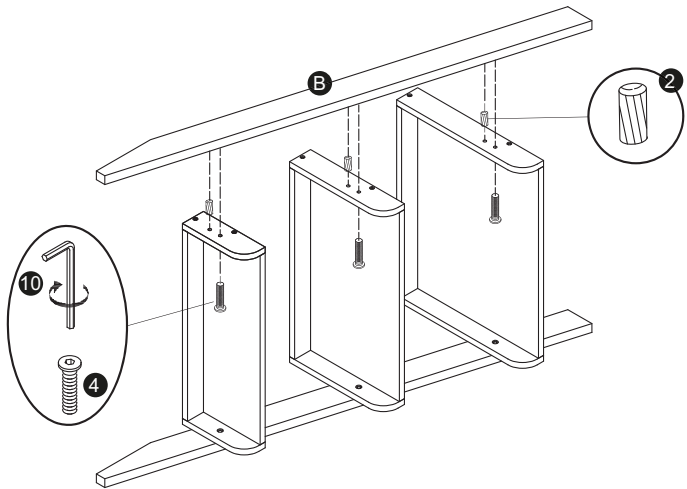


ASSEMBLY

6

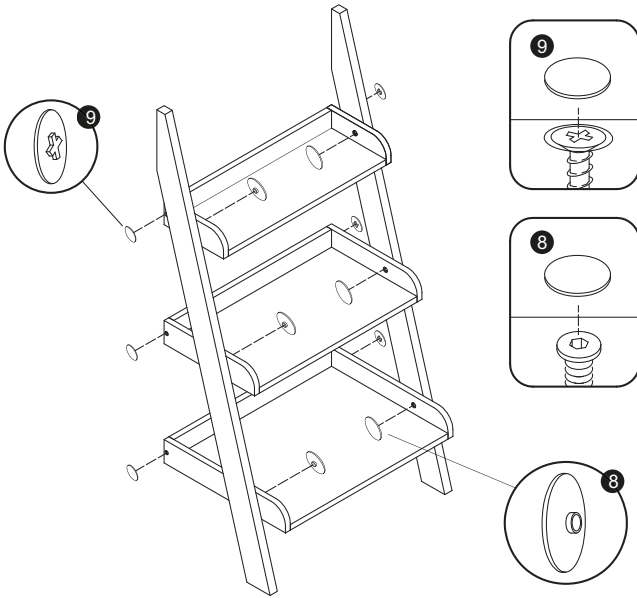


7

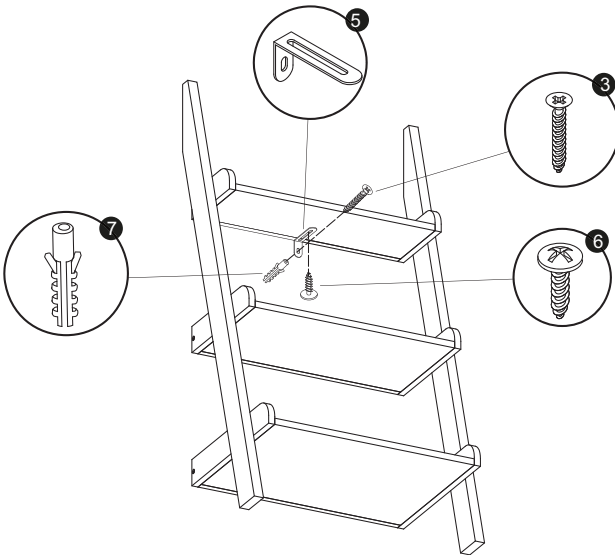


ASSEMBLY

8



9





YOUR SOURCE FOR
ORGANIZATION,
STORAGE & STYLE

Honey-Can-Do International

5300 St. Charles Road, Berkeley, IL 60163 USA
877.242.2636 | honeycando.com | customerservice@honeycando.com
©2020 Honey-Can-Do International, LLC | All Rights Reserved

Visit [youtube.com/myhoneycando](https://www.youtube.com/myhoneycando) to watch our assembly videos.