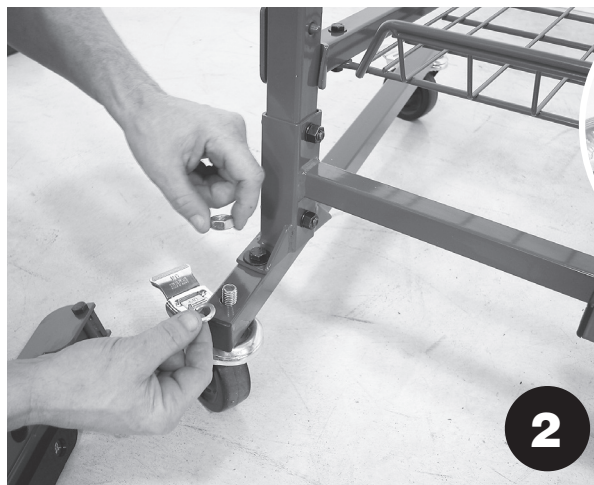


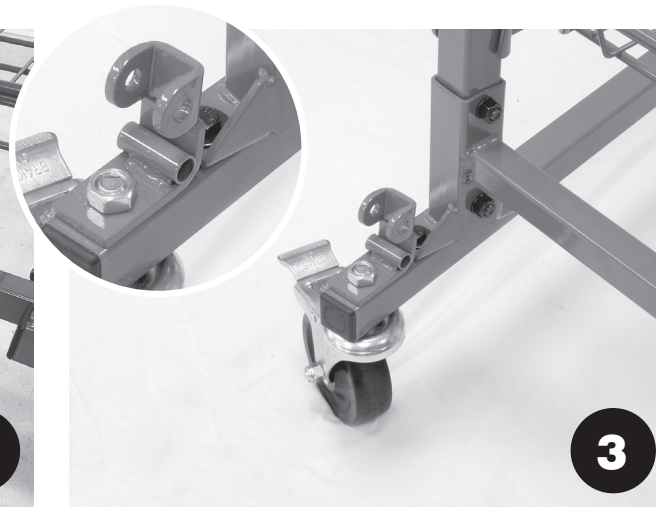
# Innovative Panel Train Assembly Instructions



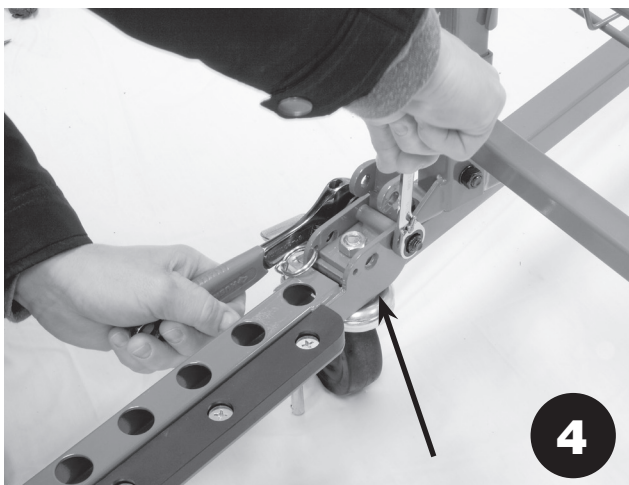
Install wheels. No washer required.



Remove rear wheel caster nut from cart and discard lock washer.



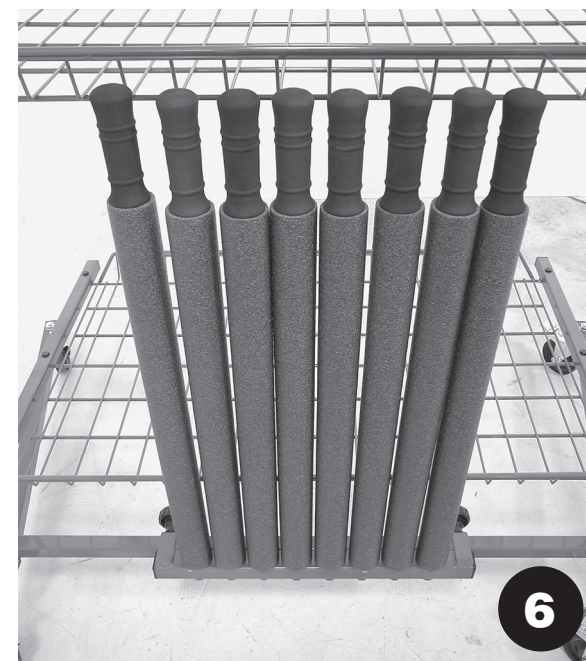
Install Leg Connector, noting direction as shown.



Install extension leg with rubber pad toward center. Tighten 3/4" nut - do not overtighten. Repeat for other arm. Use pin to hold leg in upright position.



Install protective rubber cap. Adhesive can be used to better keep rubber cap in place.



Center the post holder on back side of cart. Tighten knobs. Posts shown above in stored position.